



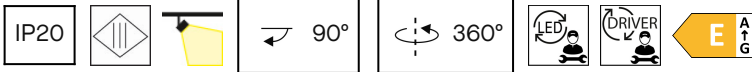
Atom Low Voltage 52

LedsC4 Team

Spotlight Atom Low Voltage 52 12.1 LED warm-white 3000K CRI 90 34.2° DALI Black 1230lm

Technical features

- Luminaire total power: 12.1W
- Real lumens: 1230
- Real lm/W: 102
- Correlated Colour Temperature (CCT): LED warm-white 3000K
- Lens / reflector angle: MEDIUM 34°
- UGR: <=16
- Structure material: Aluminium
- Structure finish: Black
- Diffuser material: Polycarbonate
- Diffuser finish: Transparent
- Equipment necessary but not included
- Voltage / frequency: 48 VDC
- Dimming protocol: DALI
- Useful life: 50,000h L80B20
- Warranty: 5 años



Luminotechnic features

- CRI: 90
- MacAdam steps: 2
- Photobiological risk: RG1

Lampholder	Quantity	Light source power (W)
LED	1	12.1W

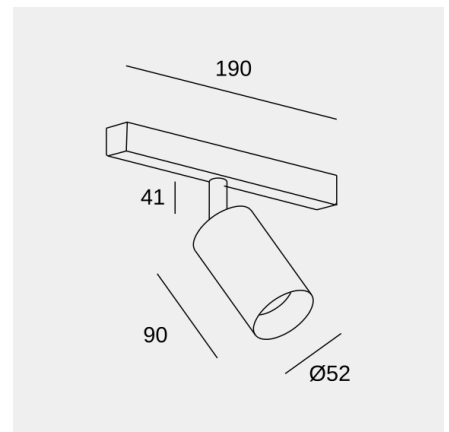
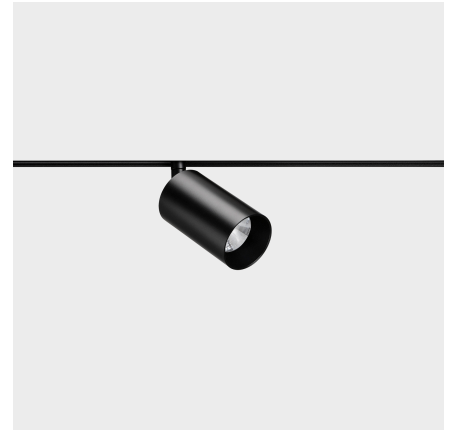


Image may not match reference. LedsC4 reserves the right to amend any of the product's components. The data related to flux, power and colour temperature may be subject to changes made by the manufacturer.



Atom Low Voltage 52

LedsC4 Team

Spotlight Atom Low Voltage 52 12.1 LED warm-white 3000K CRI 90 34.2° DALI Black 1230lm

Logistics



x 1

Net weight (kg): 0.25

Packaged weight (kg): 0.38

Packaging: 190mm x 200mm x 95mm

Image may not match reference. LedsC4 reserves the right to amend any of the product's components. The data related to flux, power and colour temperature may be subject to changes made by the manufacturer.