

Name: Siam - 120

Design: Joana Bover / 2010

Typology: Ceiling lamp

Environment: Indoor

Technical description:

Ceiling lamp providing diffused light through a translucent shade composed of hand wrapped polyester blend ribbon, with structure finished in satin nickel or white, in two size options. Ribbon colors are available in white, cream and red. Frosted white methacrylate diffuser is included. This ceiling lamp can be mounted to be partially superimposed upon themselves to create stylish combinations according to the clients' needs.




Lamps description

 Grounding: compulsory


 Ready for mounting on normally flammable surface


 6 x 46 W Classic P Eco E-27

 6 x 30 W E-27


Voltage: 230V~50Hz

2 Boxes:

 1 Box 125 x 45 x 125 cm
Vol.: 0,7031 m³ Weight: 20 kg

 1 Box 133 x 45 x 155 cm
Vol.: 0,9276 m³ Weight: 55 kg

Certifications:  

 Photometrics made according to the position the lights are shown in the catalogue and price list.

Ref Finishings

0232005P Satin Nickel / Small

0232001P White 9010 / Small

0232005G Satin Nickel / Large

0232001G White 9010 / Large

Lampshade:

P-698C White Translucent Ribbon

P-699C Cream Translucent Ribbon

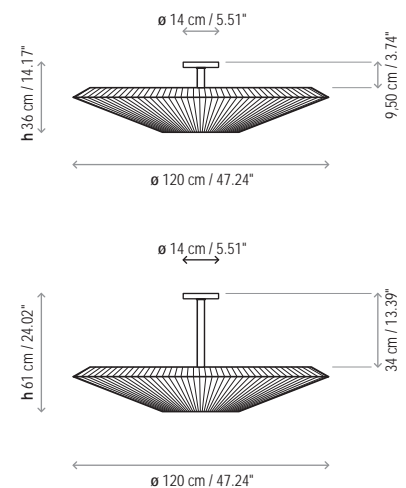
P-700C Red Translucent Ribbon

This ceiling lamp allows several individual or group compositions. Available in two sizes: 18,5 cm and 43 cm structure.

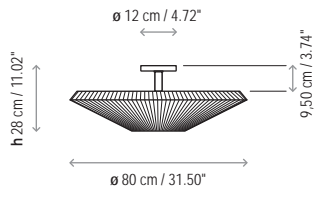
Superimposing shades partially, one on another, we will obtain a mural suitable for each space and need.

Customizable

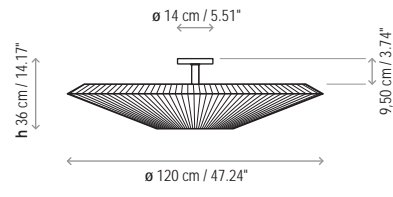
Measures



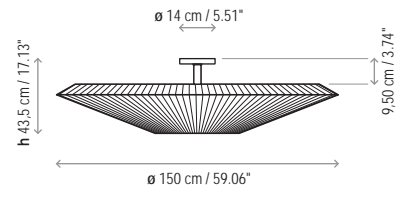
Siam - 80



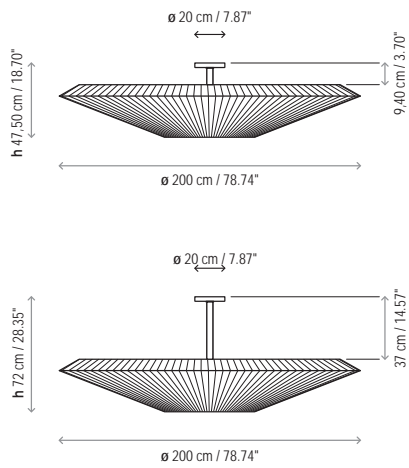
Siam - 120



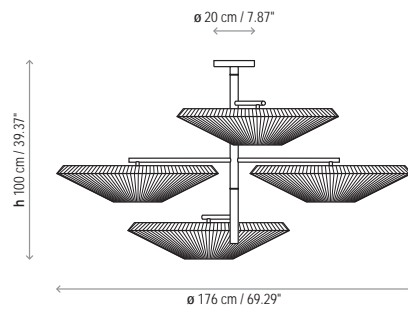
Siam - 150



Siam - 200



Siam - 4 Luces



Siam - 6 Luces

