

---

**Make Up 805mm Salle de bains**

---

**Description**

Applique à usage intérieur pour éclairer frontalement.

Design Vintage/industriel. Matière structure: Aluminium. Finition structure: Poli. Matière diffuseur: Verre. Finition diffuseur: Transparent. Garantie: 5 Ans.

---

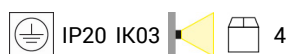
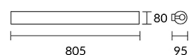
**Finition**

Poli  
Transparent

**Matière**

Aluminium  
Verre

---

**CARACTÉRISTIQUES TECHNIQUES****Source lumineuse**

Douille : 5 x G9  
Puissance (W): 60W  
Consommation totale (W): 300  
Quantité: 5

**Luminaire**

Garantie: 5 Ans

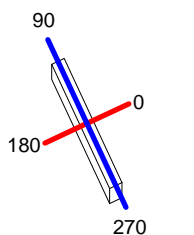
**Logistique**

Efficacité énergétique: LAMPE NON  
INCLUDE  
Code EAN: 8435111051238  
Poids net (kg): 1.680  
Poids en kg (emballé): 2.580  
Boîte: 200 x 130 x 850  
Masterbox: 4

<b>Luminaire</b>		<b>Measur.</b>		<b>Lamp</b>		
Code	489-AL	Code	489-AL	Code	65940	
Name	Aplique MAKE UP 5x40W halog G9	Name	Aplique MAKE UP 5x40W halog G9	Number	5	
Line	Eulumdat	Date	18-03-2010	Position		
Efficiency	83.93%	Coordinate system	CG	Total Flux	2100.00 lm	
Maximum value	199.62 cd	Position	C=75.00 G=50.00	Double Symmetrical		
Rectangular Luminaire	Length	800 mm	Width	80 mm	Height	95 mm
Rectangular Luminous Area	Length	800 mm	Width	80 mm	Height	80 mm
Horizontal Luminous Area	0.064000 m2	Emitting area on Plane 180°		0.064000 m2		
Emitting area on Plane 0°	0.064000 m2	Emitting area on Plane 270°		0.006400 m2		
Emitting area on Plane 90°	0.006400 m2	Glare area at 76°		0.077582 m2		
Symmetry Type	Double Symmetrical	Maximum Gamma Angle		180		
Measurement Distance	0.00	Measurement Flux		2100.00 lm		
Operator	Asselum	Source voltage				
Temperature	25.00 °C	Source current				
Humidity	60.00 %	Photocell				
Notes						

Line		Code		Luminaire Lamps		Flux [lm]	Pow. [W]	Q.ty
Eulumdat		65940		Name		420.00	40.00	5
				65940 - 40.00 W				
C.I.E.	23 50 76 61 84			D DIN 5040	B11			
F UTE	0.52 J + 0.32 T			B NBN	BZ 8			

800mm x 80mm



**C Halfplanes**

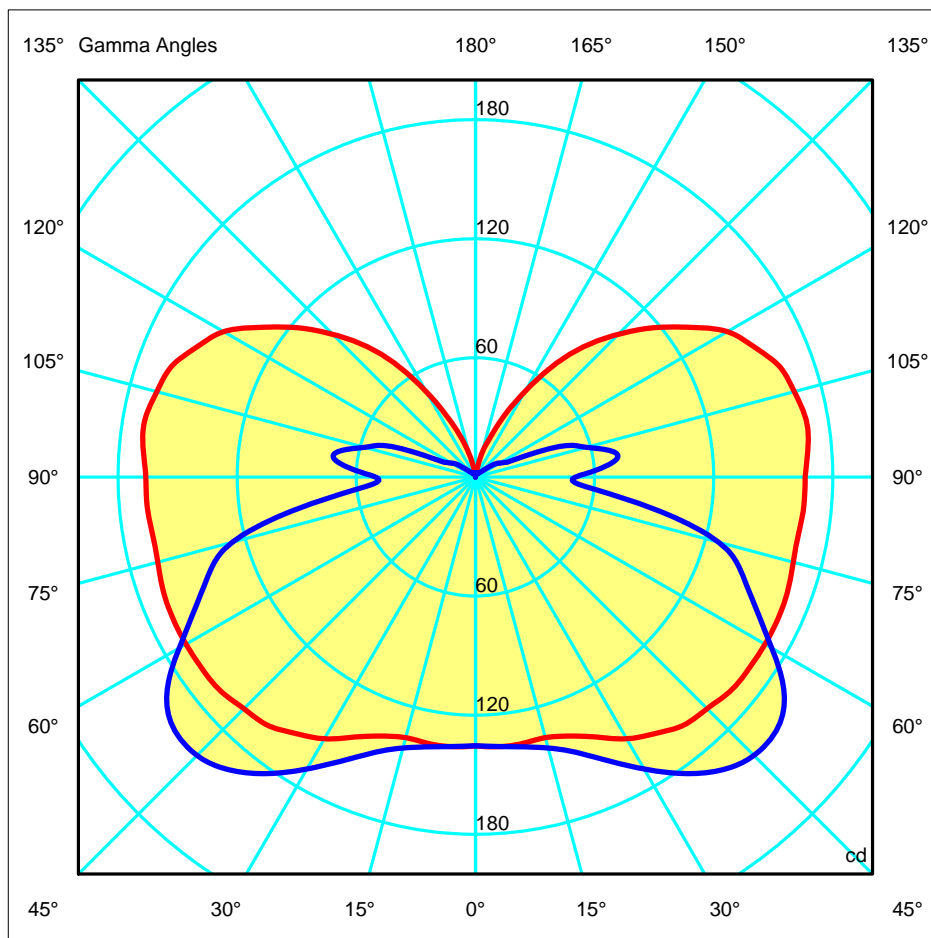
180.0 — 0.0

270.0 — 90.0

ULOR 32.43 %

DLOR 51.50 %

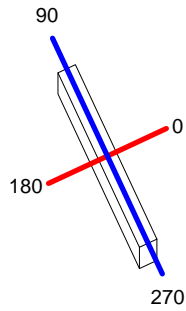
RN 38.64 %



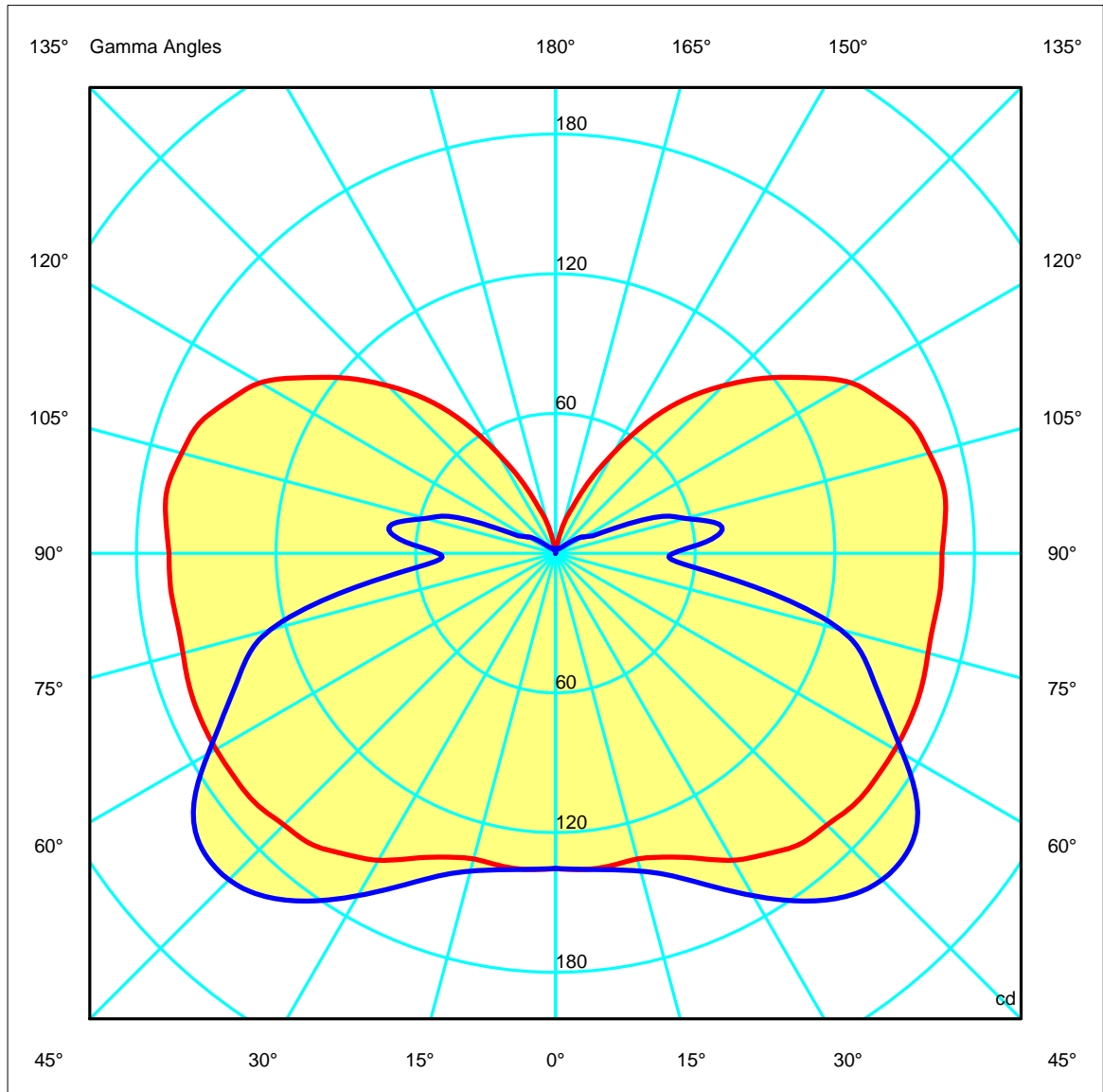
<b>Luminaire</b>		<b>Measur.</b>		<b>Lamp</b>	
Code	489-AL	Code	489-AL	Code	65940
Name	Aplique MAKE UP 5x40W halog G9	Name	Aplique MAKE UP 5x40W halog G9	Number	5
Line	Eulumdat	Date	18-03-2010	Position	
Efficiency	83.93%	Coordinate system	CG	Total Flux	2100.00 lm

800mm x 80mm

C Halfplanes



180.0 ——— 0.0  
270.0 ——— 90.0



---

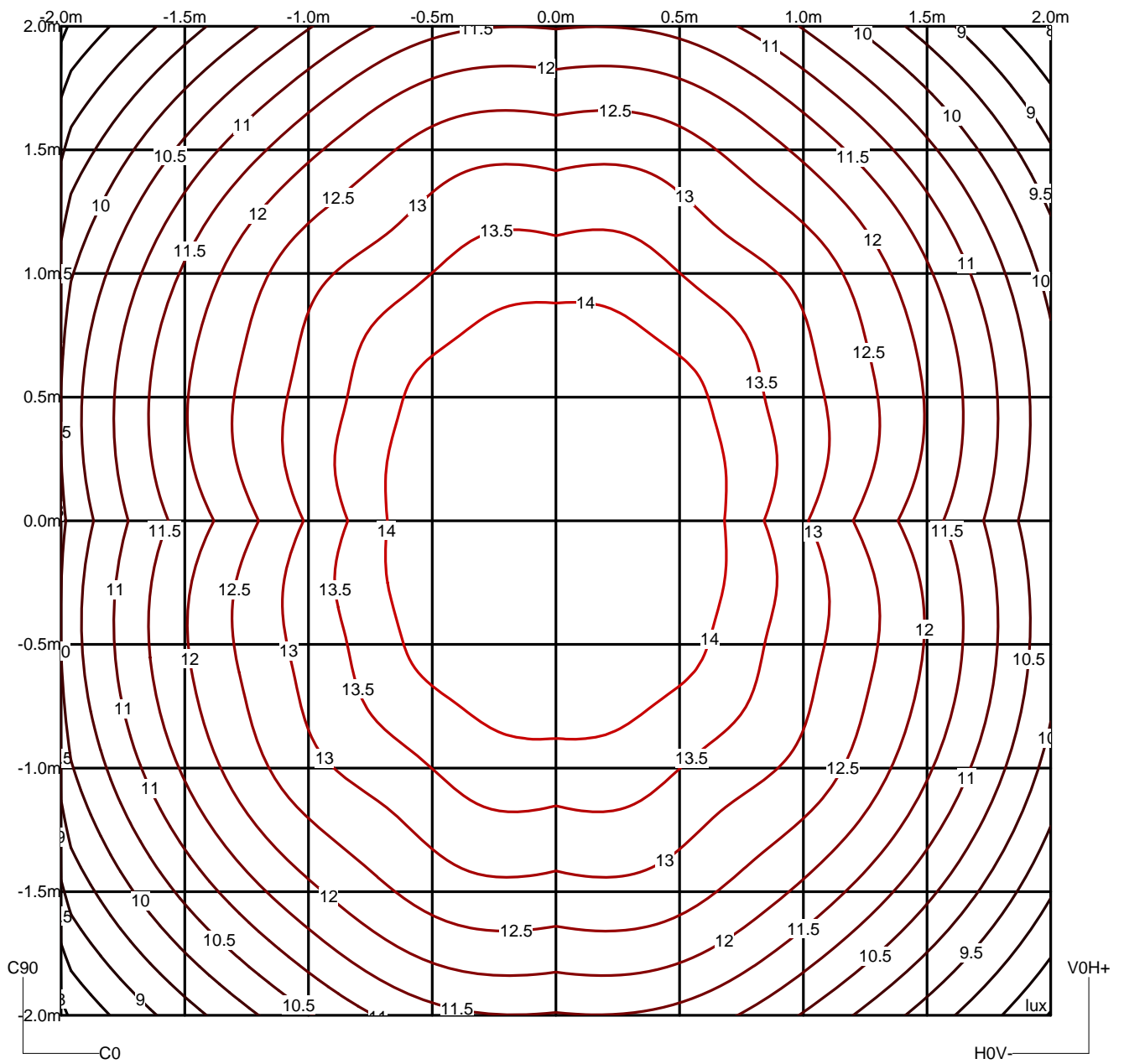
<b>Luminaire</b>		<b>Measurem.</b>		<b>Lamp</b>	
Code	489-AL	Code	489-AL	Code	65940
Name	Aplique MAKE UP 5x40W halog G9	Name	Aplique MAKE UP 5x40W halog G9	Number	5
Line	Eulmdat	Date	18-03-2010	Position	
<hr/>			<hr/>		
Efficiency	83.93%	Coordinate system	CG	Total Flux	2100.00 lm
<hr/>			<hr/>		

Right beam angle not found, gamma = 61

<b>Luminaire</b>		<b>Measur.</b>		<b>Lamp</b>	
Code	489-AL	Code	489-AL	Code	65940
Name	Aplique MAKE UP 5x40W halog G9	Name	Aplique MAKE UP 5x40W halog G9	Number	5
Line	Eulumdat	Date	18-03-2010	Position	
Efficiency	83.93%	Coordinate system	CG	Total Flux	2100.00 lm

Isolux (Floor)

Luminaire position X=0.00m Y=0.00m Z=3.00m



**Luminaire**

Code 489-AL  
 Name Aplique MAKE UP 5x40W halog G9  
 Line Eulumdat

**Measur.**

Code 489-AL  
 Name Aplique MAKE UP 5x40W halog G9  
 Date 18-03-2010

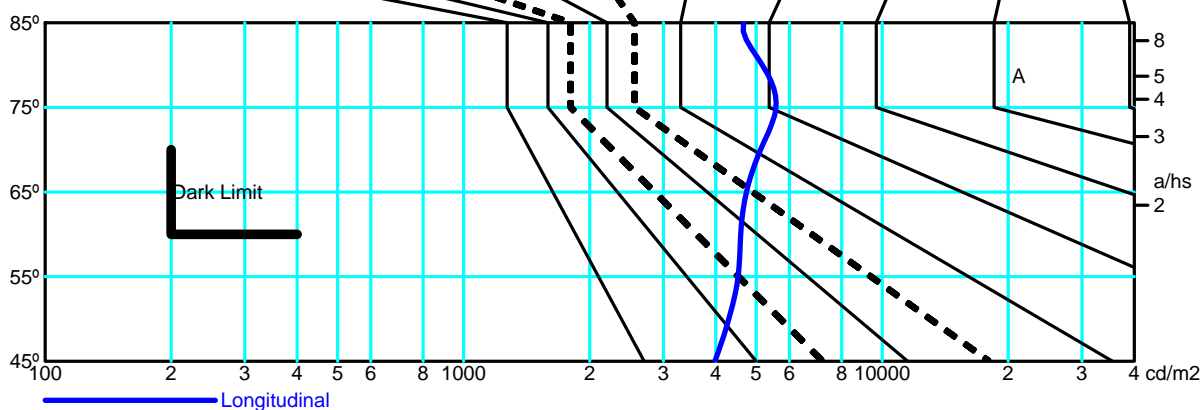
**Lamp**

Code 65940  
 Number 5  
 Position

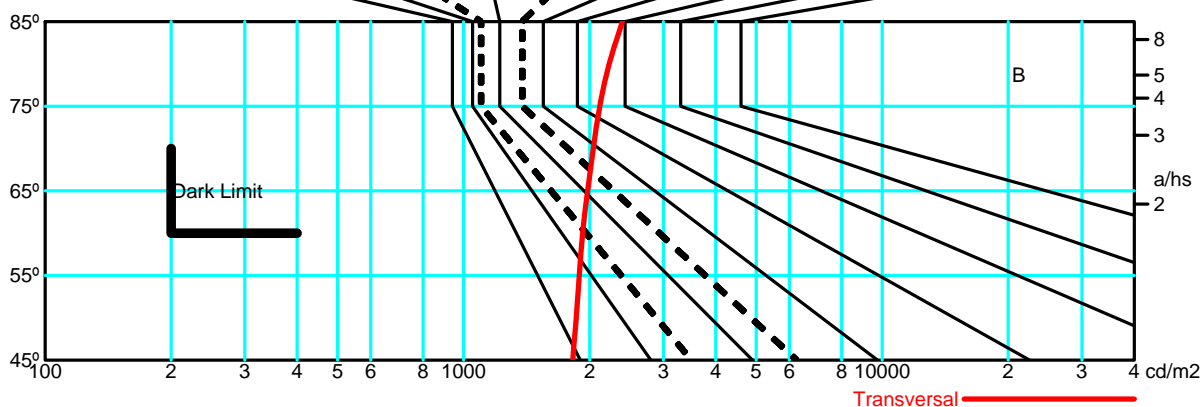
Efficiency 83.93%      Coordinate system CG      Total Flux 2100.00 lm

		Average Luminance [cd/m <sup>2</sup> ]										
		0.0°	45°	50°	55°	60°	65°	70°	75°	80°	85°	
90.0°		1823	1860	1887	1926	1978	2041	2114	2228	2395	---	
		3985	4300	4525	4590	4739	5121	5573	5171	4662	---	

Flush mounted or longitudinal view													
		Illumination(lx)											
A	A	2000	1000	750	500			<300				1.15	
B	1		2000	1500	1000	750	500	<300				1.5	
C					2000			1000	500	<300		1.85	
D	2							2000	1000	500	<300	2.2	
E	3								2000	1000	500	<300	2.55

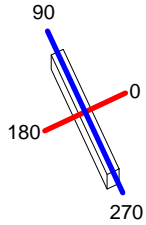


Flush mounted or transversal view													
		Illumination(lx)											
A	A	2000	1000	750	500			<300				1.15	
B	1		2000	1500	1000	750	500	<300				1.5	
C					2000			1000	500	<300		1.85	
D	2							2000	1000	500	<300	2.2	
E	3								2000	1000	500	<300	2.55



<b>Luminaire</b>		<b>Measur.</b>		<b>Lamp</b>	
Code	489-AL	Code	489-AL	Code	65940
Name	Aplique MAKE UP 5x40W halog G9	Name	Aplique MAKE UP 5x40W halog G9	Number	5
Line	Eulumdat	Date	18-03-2010	Position	
Efficiency	83.93%	Coordinate system	CG	Total Flux	2100.00 lm

800mm x 80mm



C Halfplanes

180.0 ———— 0.0  
 270.0 ———— 90.0



<b>Luminaire</b>		<b>Measur.</b>		<b>Lamp</b>	
Code	489-AL	Code	489-AL	Code	65940
Name	Aplique MAKE UP 5x40W halog G9	Name	Aplique MAKE UP 5x40W halog G9	Number	5
Line	Eulumdat	Date	18-03-2010	Position	
Efficiency	83.93%	Coordinate system	CG	Total Flux	2100.00 lm

**UGR**  
S = 0.250

Reflectancies										
Ceiling/Cavity	0.7	0.7	0.5	0.5	0.3	0.7	0.7	0.5	0.5	0.3
Walls	0.5	0.3	0.5	0.3	0.3	0.5	0.3	0.5	0.3	0.3
WorkingPlane	0.2	0.2	0.2	0.2	0.2	0.2	0.2	0.2	0.2	0.2
RoomDimensions	ViewedCrosswise					ViewedEndwise				
x=2H y=2H	12.4	13.4	13.1	14.3	17.2	14.3	15.4	15.1	16.2	17.2
x=2H y=3H	14.9	15.9	15.7	16.7	19.6	16.8	17.8	17.6	18.6	19.6
x=2H y=4H	16.2	17.1	17.0	18.0	20.9	18.1	19.0	18.9	19.8	20.9
x=2H y=6H	17.5	18.4	18.3	19.2	22.1	19.3	20.2	20.1	21.0	22.1
x=2H y=8H	18.2	19.0	19.0	19.9	22.6	19.8	20.7	20.7	21.5	22.6
x=2H y=12H	18.8	19.6	19.7	20.5	23.0	20.3	21.1	21.1	21.9	23.0
x=4H y=2H	13.7	14.6	14.5	15.4	17.8	15.0	15.9	15.8	16.7	17.8
x=4H y=3H	16.3	17.1	17.1	17.9	20.4	17.7	18.5	18.5	19.3	20.4
x=4H y=4H	17.7	18.4	18.6	19.3	21.9	19.1	19.9	20.0	20.7	21.9
x=4H y=6H	19.1	19.8	20.0	20.7	23.3	20.6	21.3	21.5	22.2	23.3
x=4H y=8H	19.8	20.4	20.7	21.3	24.0	21.3	22.0	22.2	22.9	24.0
x=4H y=12H	20.5	21.1	21.4	22.0	24.6	22.0	22.5	22.9	23.5	24.6
x=8H y=4H	18.5	19.1	19.4	20.0	22.3	19.6	20.2	20.5	21.1	22.3
x=8H y=6H	20.1	20.6	21.0	21.6	24.0	21.4	21.9	22.3	22.8	24.0
x=8H y=8H	21.0	21.5	21.9	22.4	24.9	22.3	22.7	23.2	23.7	24.9
x=8H y=12H	21.9	22.3	22.8	23.2	25.8	23.2	23.6	24.1	24.6	25.8
x=12H y=4H	18.6	19.2	19.5	20.1	22.3	19.7	20.2	20.6	21.2	22.3
x=12H y=6H	20.4	20.9	21.4	21.8	24.1	21.5	22.0	22.5	22.9	24.1
x=12H y=8H	21.4	21.8	22.3	22.7	25.1	22.5	23.0	23.5	23.9	25.1



**Luminaire**

Code 489-AL  
 Name Aplique MAKE UP 5x40W halog G9  
 Line Eulumdat

**Measuram.**

Code 489-AL  
 Name Aplique MAKE UP 5x40W halog G9  
 Date 18-03-2010

**Lamp**

Code 65940  
 Number 5  
 Position

Efficiency 83.93%      Coordinate system CG      Total Flux 2100.00 lm

Total Flux=2100.00 Luminaire Flux=1762.62

RI	0.60	0.80	1.00	1.25	1.50	2.00	2.50	3.00	4.00	5.00	10.00	20.00
DRR	0.14	0.20	0.26	0.32	0.37	0.46	0.52	0.57	0.64	0.68	0.80	0.88
RC	9	9	9	9	9	9	9	9	9	9	9	9

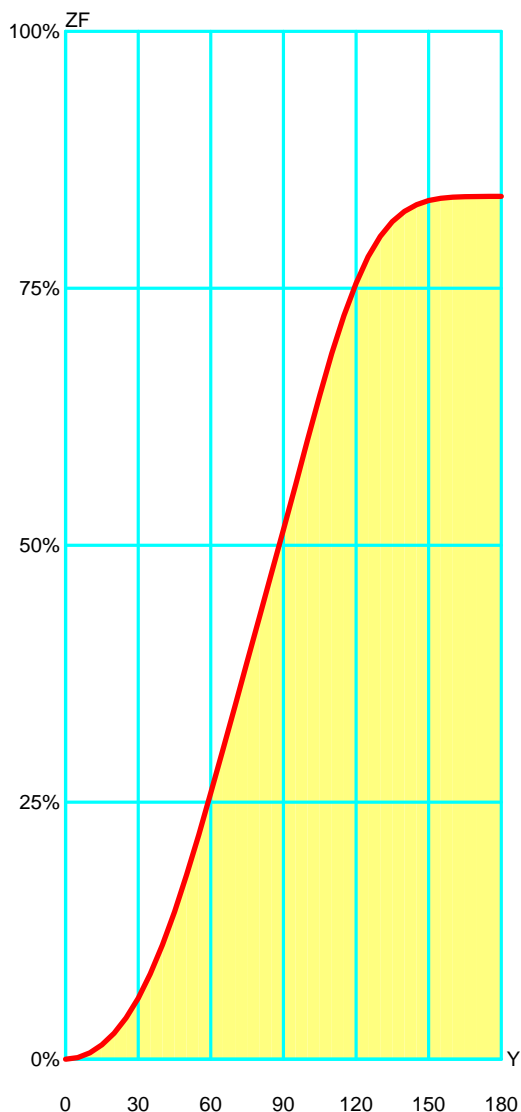
Zonal Flux per 1000 Lumen

Y°	10	20	30	40	50	60	70	80	90	100	110	120	130	140	150	160	170	180
ZF(Y)	6	25	59	111	179	259	344	429	515	603	687	755	801	825	835	839	839	839

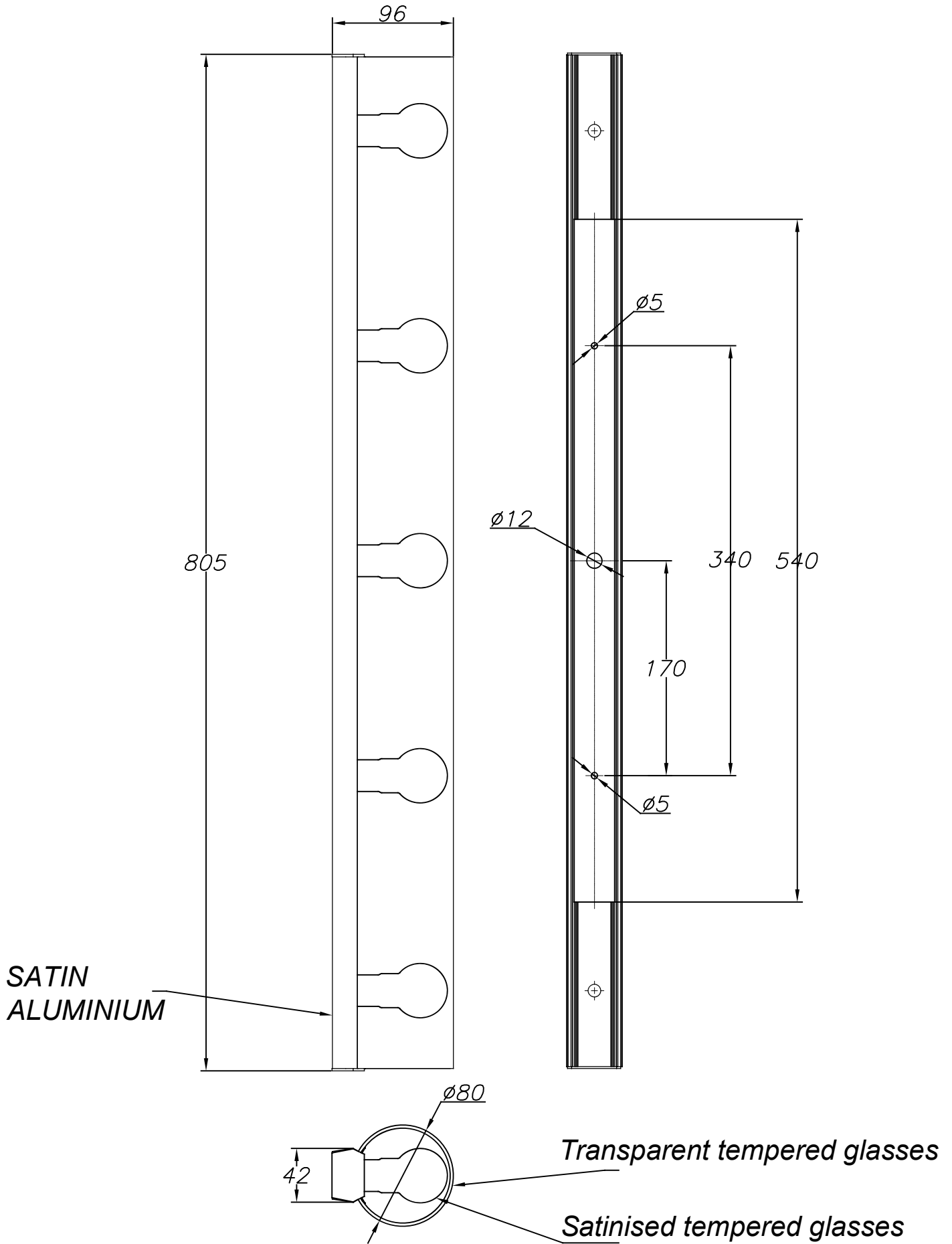
CIE Flux Codes

23 50 76 61 84

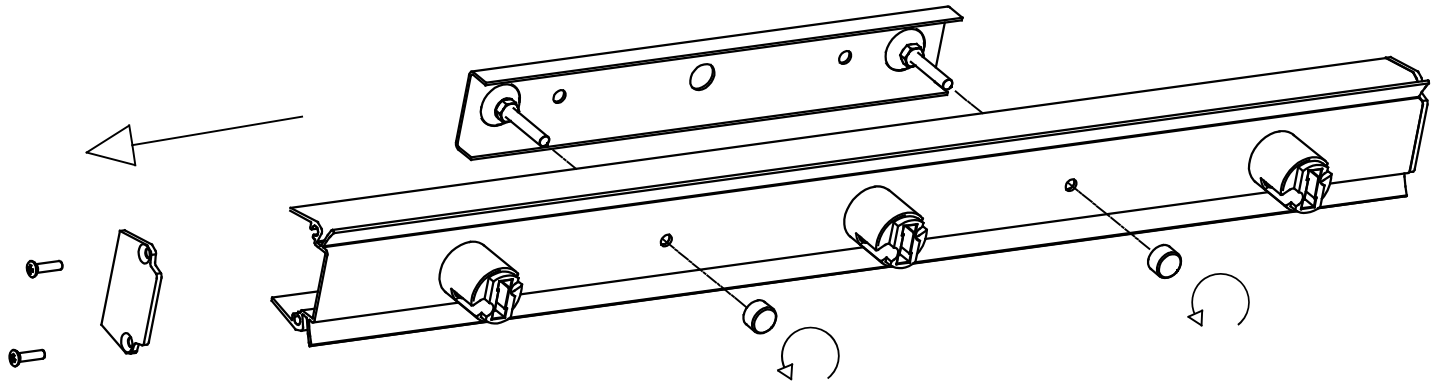
C.I.E.	9	LOR	83.93407 %
D DIN 5040	B11	ULOR	32.43063 %
F UTE	0.52 J + 0.32 T	DLOR	51.50344 %
B NBN	BZ 8	UFF	38.63822 %
RN	38.63822 %	DFF	61.36178 %
BLF	1.0	FFR	62.96789 %



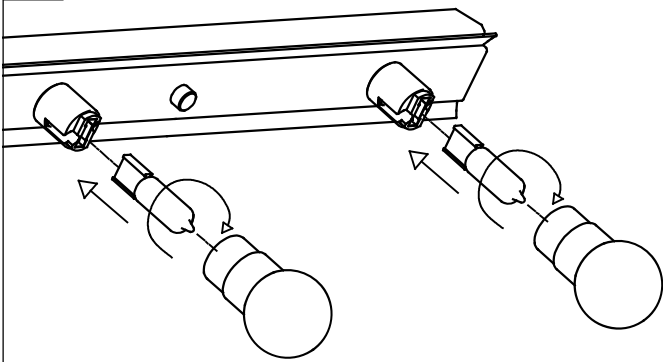
Zonal Flux				
Gamma °	Flux	Sum lm	Flux [%]	Sum [%]
0°	0.00	0.00	0.00%	0.00%
5°	1.55	1.55	0.18 %	0.18 %
10°	4.66	6.21	0.56 %	0.74 %
15°	7.82	14.03	0.93 %	1.67 %
20°	11.17	25.20	1.33 %	3.00 %
25°	14.93	40.13	1.78 %	4.78 %
30°	19.19	59.32	2.29 %	7.07 %
35°	23.72	83.03	2.83 %	9.89 %
40°	28.15	111.18	3.35 %	13.25 %
45°	32.26	143.44	3.84 %	17.09 %
50°	35.89	179.33	4.28 %	21.37 %
55°	38.82	218.16	4.63 %	25.99 %
60°	40.90	259.06	4.87 %	30.86 %
65°	42.14	301.20	5.02 %	35.89 %
70°	42.69	343.89	5.09 %	40.97 %
75°	42.82	386.70	5.10 %	46.07 %
80°	42.77	429.47	5.10 %	51.17 %
85°	42.69	472.15	5.09 %	56.25 %
90°	42.88	515.03	5.11 %	61.36 %
95°	43.70	558.73	5.21 %	66.57 %
100°	44.09	602.82	5.25 %	71.82 %
105°	43.08	645.90	5.13 %	76.95 %
110°	40.76	686.66	4.86 %	81.81 %
115°	36.69	723.35	4.37 %	86.18 %
120°	31.47	754.82	3.75 %	89.93 %
125°	25.84	780.66	3.08 %	93.01 %
130°	19.85	800.51	2.36 %	95.37 %
135°	14.36	814.87	1.71 %	97.08 %
140°	9.95	824.82	1.19 %	98.27 %
145°	6.57	831.40	0.78 %	99.05 %
150°	3.97	835.37	0.47 %	99.53 %
155°	2.14	837.51	0.25 %	99.78 %
160°	1.07	838.58	0.13 %	99.91 %
165°	0.50	839.08	0.06 %	99.97 %
170°	0.21	839.30	0.03 %	99.99 %
175°	0.04	839.34	0.01 %	100.00 %
180°	0.00	839.34	0.00 %	100.00 %



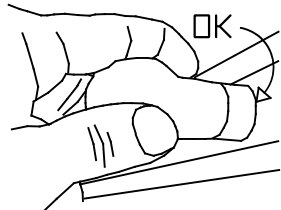
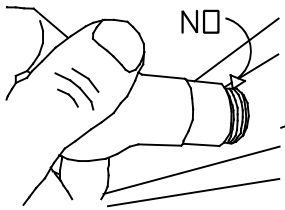
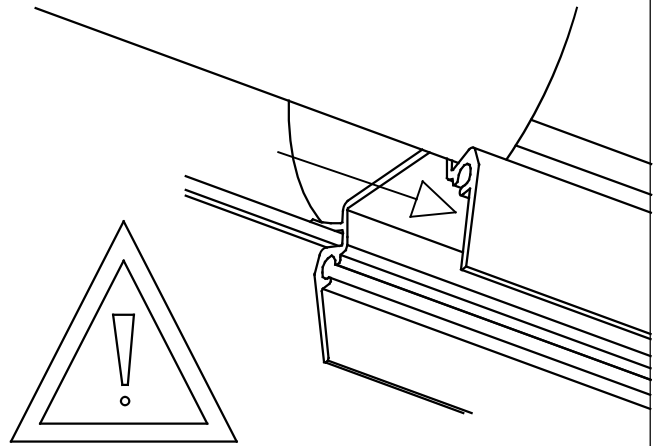
1



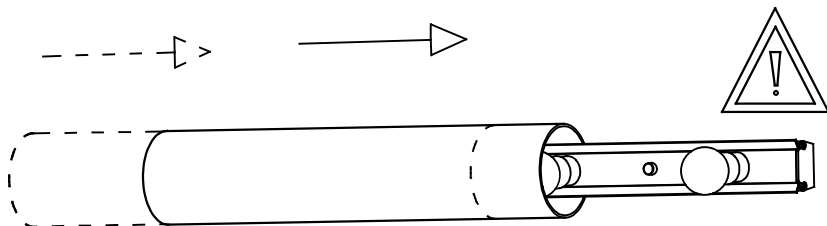
2



3



4



5

