

05-5625-05-81

V0

BOOK Applique

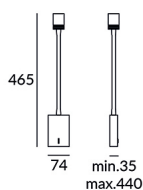
**Description**

Applique à usage intérieur pour éclairer vers le bas.

Prix-rendement optimal. Confort visuel optimal. Installation facile. Durabilité élevée pour usage intensif.
Matière structure: Acier, Aluminium. Finition structure: Nickel satiné. Garantie: 5 Ans.

Finition

Nickel satiné

MatièreAcier
Aluminium**CARACTÉRISTIQUES TECHNIQUES****Source lumineuse**

Source lumineuse: LED CREE
Puissance (W): 2.2W
Consommation totale (W): 3
Température de couleur: Blanc chaud -
3 000 K
CRI: 80
Risque photobiologique: RG2
Lumens réels: 137
Nbr de LED: 1
Lm/W réels: 46
Durée de vie: 36.000h L70B30
Bin / Grup: 7C1/7B4
MacAdam steps: 3
Facteur UGR: 14.0

ÉQUIPEMENT

Marque: LETARON
Équipement compris: Oui, électronique
Facteur de puissance: 0.50

Luminaire

Garantie: 5 Ans

Logistique

Efficacité énergétique: LED A++
Code EAN: 8435381453664
Poids net (kg): 0.590
Poids en kg (emballé): 0.810
Boîte: 255 x 65 x 185
Masterbox: 10

La finition de la photographie peut ne pas coïncider avec celle de la référence. Pour identifier la finition réelle, voir la description de cette dernière.

Luminaria

Código 05-5625-05-81

Nombre Aplic Book

Ensayo

Código 05-5625-05-81

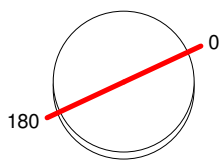
Nombre Aplic Book

Flujo Luminaria	137.39 lm	Potencia luminaria	3.00 W	Eficacia	45.80 lm/W	Eficiencia	100.00%
Flujo de Lámpara	137.39 lm	Valor Máximo	5603.62 cd/klm	Posición	C=0.00 G=0.00	CG	Rotosimétrico
Luminaria Redonda		Diam.	38 mm	Altura	35 mm		
Área Luminosa Redonda		Diam.	28 mm	Altura	0 mm		
Área Luminosa Horizontal	0.000616 m2			Área Emisión sobre Pl. 180°		0.000000 m2	
Área Emisión sobre Pl. 0°	0.000000 m2			Área Emisión sobre Pl. 270°		0.000000 m2	
Área Emisión sobre Pl. 90°	0.000000 m2			Área de deslumbramiento a 76°		0.000149 m2	
Sist. de Coorden.	CG			Tipo de Simetría		Rotosimétrico	
Fecha	20-03-2017			Máximo Ángulo Gamma		90	
Distancia de Ensayo	0.00			Flujo de Ensayo		137.39 lm	
Operador	Asselum T3			Tensión de alimentación [V]			
Temperatura	25.00 °C			Corriente de alimentación [A]			
Humedad	60.00 %			Fotocélula			
Notas							

Lámparas de la Luminaria

Familia	Código	Nombre	Flujo [lm]	Pot. [W]	Cant.
	05-5625-05-81	05-5625-05-81	137.39	3.00	1
C.I.E.	93 98 99 100 100	D DIN 5040	A60		
F UTE	1.00 A	B NBN	BZ 1		

Diam=38mm



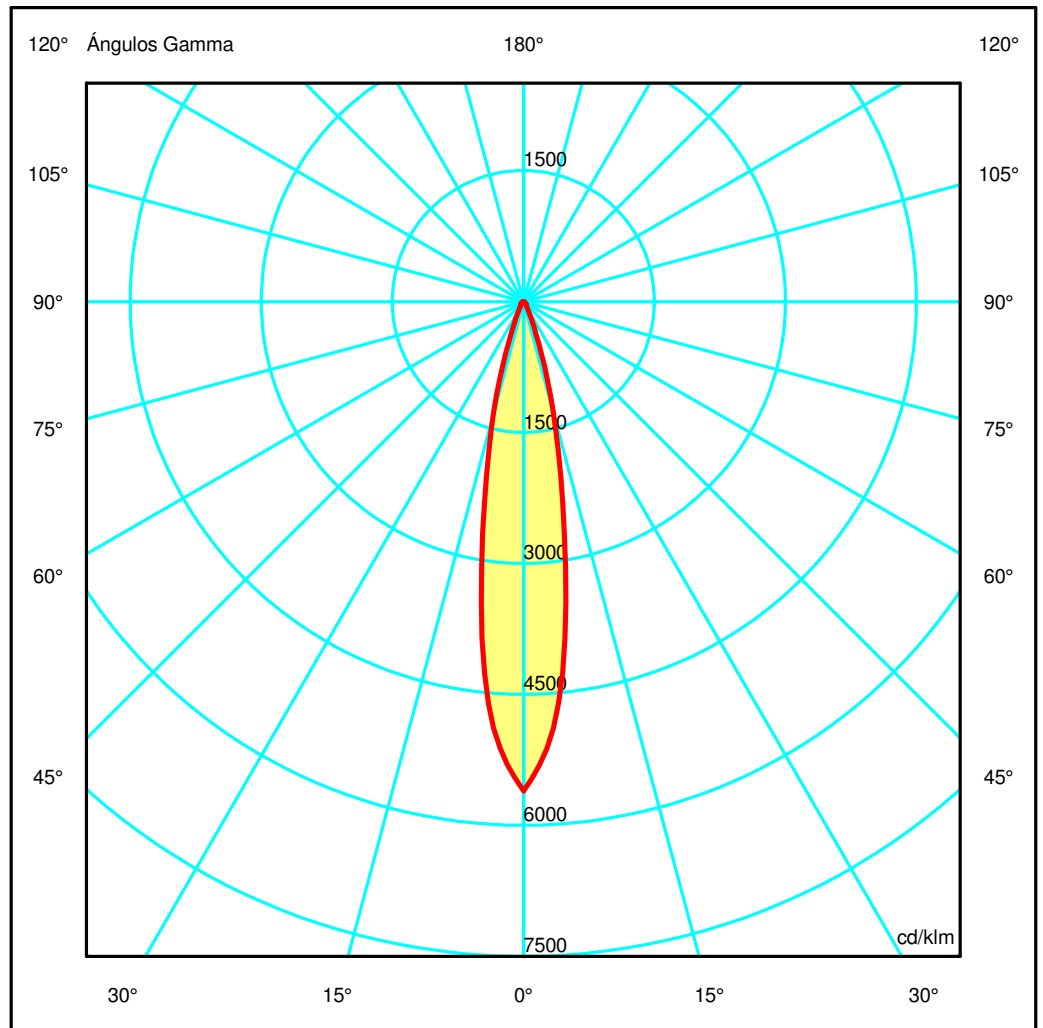
Semiplanos C

180.0 — 0.0

ULOR 0.00 %

DLOR 100.00 %

RN 0.00 %



Luminaria

Código 05-5625-05-81

Nombre Aplic Book

Ensayo

Código 05-5625-05-81

Nombre Aplic Book

Flujo Luminaria	137.39 lm	Potencia luminaria	3.00 W	Eficacia	45.80 lm/W	Eficiencia	100.00%
Flujo de Lámpara	137.39 lm	Valor Máximo	5603.62 cd/klm	Posición	C=0.00 G=0.00	CG	Rotosimétrico

Tabla de Intensidad Luminosa cd/klm Tabla 1/1

C 0.00	
G 0.0	5603.62
G 5.0	4617.64
G 10.0	2686.75
G 15.0	1320.62
G 20.0	504.42
G 25.0	193.06
G 30.0	92.59
G 35.0	61.41
G 40.0	48.67
G 45.0	39.45
G 50.0	32.48
G 55.0	25.43
G 60.0	18.87
G 65.0	14.08
G 70.0	9.60
G 75.0	6.48
G 80.0	4.20
G 85.0	2.69
G 90.0	2.50

Luminaria

Código 05-5625-05-81

Nombre Aplic Book

Ensayo

Código 05-5625-05-81

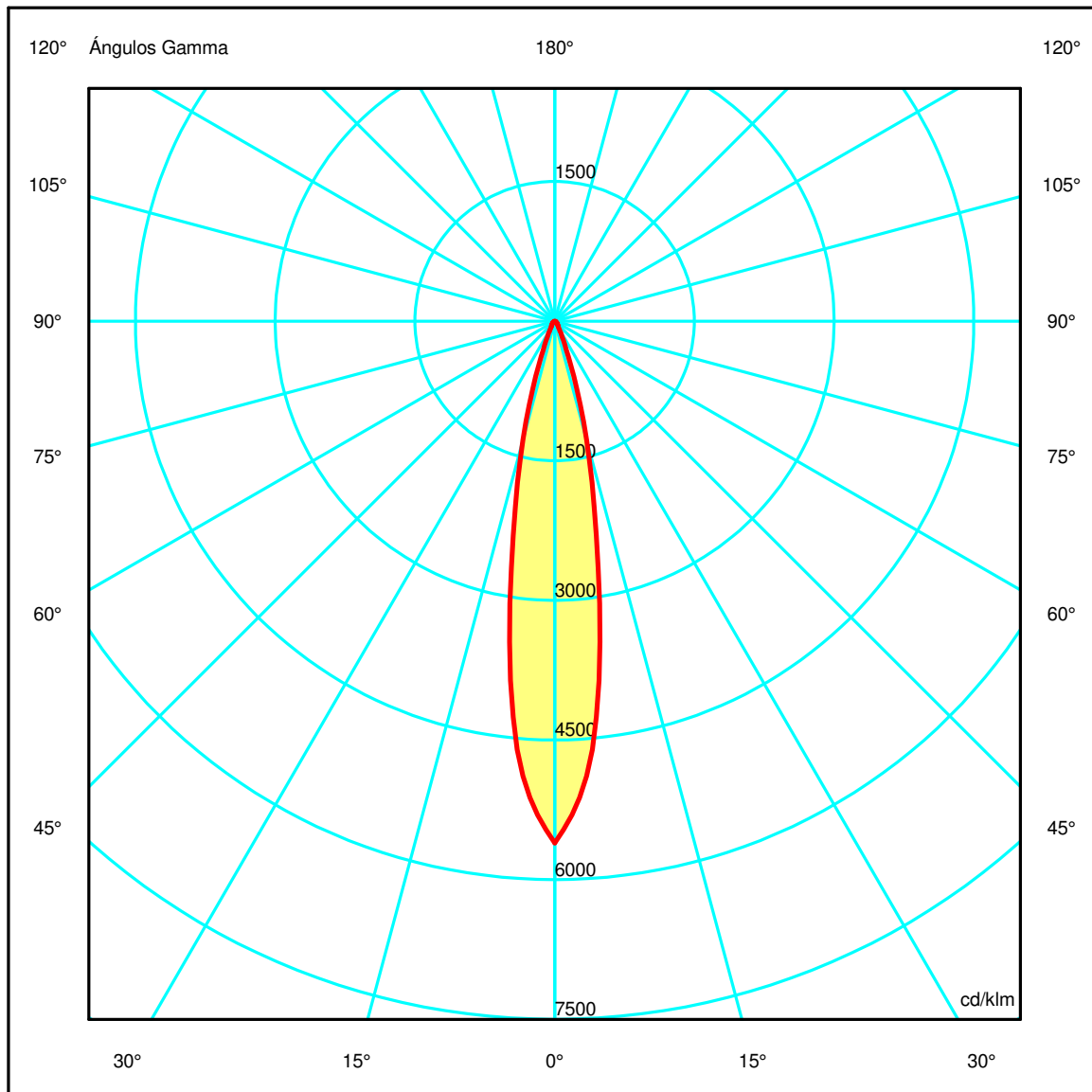
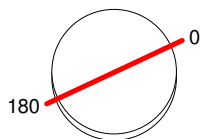
Nombre Aplic Book

Flujo Luminaria	137.39 lm	Potencia luminaria	3.00 W	Eficacia	45.80 lm/W	Eficiencia	100.00%
Flujo de Lámpara	137.39 lm	Valor Máximo	5603.62 cd/klm	Posición	C=0.00 G=0.00	CG	Rotosimétrico

Diam=38mm

Semiplanos C

180.0  0.0



Luminaria

Código 05-5625-05-81
 Nombre Aplic Book

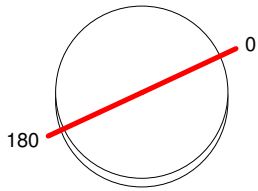
Ensayo

Código 05-5625-05-81
 Nombre Aplic Book

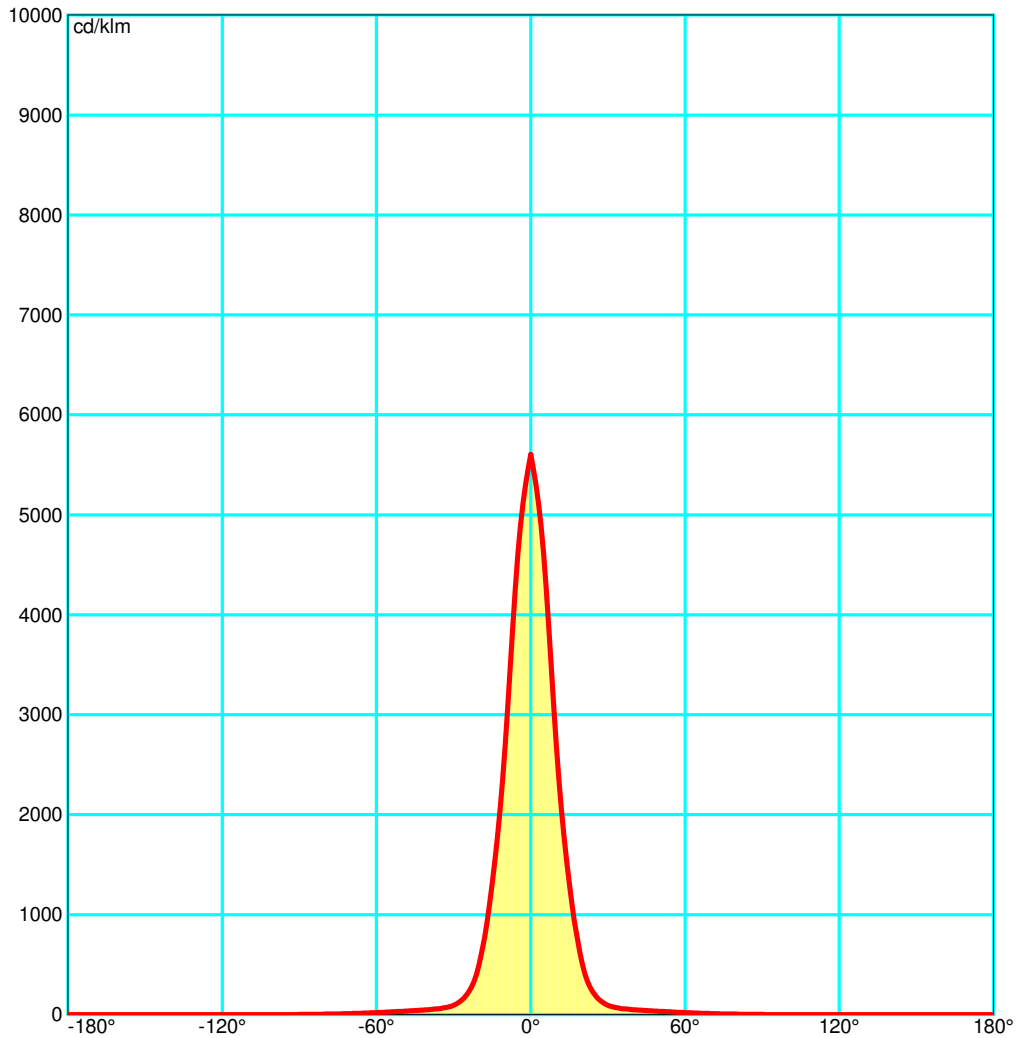
Flujo Luminaria	137.39 lm	Potencia luminaria	3.00 W	Eficacia	45.80 lm/W	Eficiencia	100.00%
Flujo de Lámpara	137.39 lm	Valor Máximo	5603.62 cd/klm	Posición	C=0.00 G=0.00	CG	Rotosimétrico

Diam=38mm

Semiplanos C



180.0 ————— 0.0



Luminaria

Código 05-5625-05-81

Nombre Aplic Book

Ensayo

Código 05-5625-05-81

Nombre Aplic Book

Flujo Luminaria	137.39 lm	Potencia luminaria	3.00 W	Eficacia	45.80 lm/W	Eficiencia	100.00%
Flujo de Lámpara	137.39 lm	Valor Máximo	5603.62 cd/klm	Posición	C=0.00 G=0.00	CG	Rotosimétrico

UGR
S = 0.250

Reflectancias										
Ceiling/Cavity	0.7	0.7	0.5	0.5	0.3	0.7	0.7	0.5	0.5	0.3
Walls	0.5	0.3	0.5	0.3	0.3	0.5	0.3	0.5	0.3	0.3
WorkingPlane	0.2	0.2	0.2	0.2	0.2	0.2	0.2	0.2	0.2	0.2
RoomDimensions	Viewed Crosswise					Viewed Endwise				
x=2H y=2H	14.0	14.7	14.2	14.9	15.1	14.0	14.7	14.2	14.9	15.1
x=2H y=3H	14.9	15.6	15.2	15.8	16.0	14.9	15.6	15.2	15.8	16.0
x=2H y=4H	15.3	15.9	15.6	16.2	16.4	15.3	15.9	15.6	16.2	16.4
x=2H y=6H	15.6	16.2	15.9	16.4	16.7	15.6	16.2	15.9	16.4	16.7
x=2H y=8H	15.7	16.3	16.0	16.6	16.9	15.7	16.3	16.0	16.6	16.9
x=2H y=12H	15.9	16.4	16.2	16.7	17.0	15.9	16.4	16.2	16.7	17.0
x=4H y=2H	14.5	15.1	14.8	15.4	15.6	14.5	15.1	14.8	15.4	15.6
x=4H y=3H	15.6	16.1	15.9	16.4	16.7	15.6	16.1	15.9	16.4	16.7
x=4H y=4H	16.1	16.5	16.4	16.8	17.2	16.1	16.5	16.4	16.8	17.2
x=4H y=6H	16.5	16.8	16.9	17.2	17.6	16.5	16.8	16.9	17.2	17.6
x=4H y=8H	16.7	17.0	17.1	17.4	17.8	16.7	17.0	17.1	17.4	17.8
x=4H y=12H	16.9	17.2	17.3	17.6	18.0	16.9	17.2	17.3	17.6	18.0
x=8H y=4H	16.3	16.6	16.7	17.0	17.4	16.3	16.6	16.7	17.0	17.4
x=8H y=6H	16.8	17.1	17.3	17.5	17.9	16.8	17.1	17.3	17.5	17.9
x=8H y=8H	17.1	17.3	17.5	17.7	18.2	17.1	17.3	17.5	17.7	18.2
x=8H y=12H	17.4	17.6	17.9	18.0	18.6	17.4	17.6	17.9	18.0	18.6
x=12H y=4H	16.3	16.6	16.7	17.0	17.4	16.3	16.6	16.7	17.0	17.4
x=12H y=6H	16.9	17.1	17.3	17.5	18.0	16.9	17.1	17.3	17.5	18.0
x=12H y=8H	17.2	17.4	17.7	17.8	18.3	17.2	17.4	17.7	17.8	18.3

Luminaria

Código 05-5625-05-81

Nombre Aplic Book

Ensayo

Código 05-5625-05-81

Nombre Aplic Book

Flujo Luminaria	137.39 lm	Potencia luminaria	3.00 W	Eficacia	45.80 lm/W	Eficiencia	100.00%
Flujo de Lámpara	137.39 lm	Valor Máximo	5603.62 cd/klm	Posición	C=0.00 G=0.00	CG	Rotosimétrico

Flujo Total=137.39 Flujo Luminaria=137.39

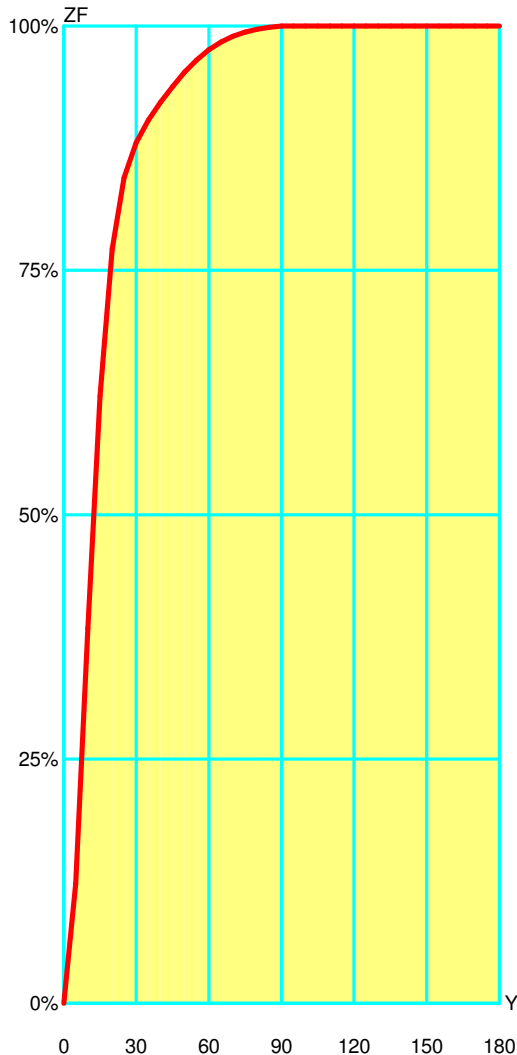
RI	0.60	0.80	1.00	1.25	1.50	2.00	2.50	3.00	4.00	5.00	10.00	20.00
DRR	0.68	0.73	0.78	0.82	0.85	0.90	0.93	0.95	0.97	0.98	1.01	1.02
RC	-	-	-	-	-	-	-	-	-	-	-	-

Flujo Zonal por 1000 Lúmenes

Y°	10	20	30	40	50	60	70	80	90	100	110	120	130	140	150	160	170	180
ZF(Y)	383	772	881	922	953	976	990	997	1000	1000	1000	1000	1000	1000	1000	1000	1000	1000

Códigos de Flujo C.I.E.
93 98 99 100 100

C.I.E.	-/-/-/-/-/-/-/-/-/-	LOR	100.00000 %
D DIN 5040	A60	ULOR	0.00000 %
F UTE	1.00 A	DLOR	100.00000 %
B NBN	BZ 1	UFF	0.00000 %
RN	0.00000 %	DFF	100.00000 %
BLF	1.0	FFR	0.00000 %



Flujo Zonal				
Gamma °	Flujo	Suma lm	Flujo [%]	Suma [%]
0°	0.00	0.00	0.00%	0.00 %
5°	122.19	122.19	12.22 %	12.22 %
10°	261.30	383.49	26.13 %	38.35 %
15°	237.71	621.21	23.77 %	62.12 %
20°	150.41	771.62	15.04 %	77.16 %
25°	73.15	844.77	7.32 %	84.48 %
30°	36.15	880.92	3.61 %	88.09 %
35°	22.68	903.60	2.27 %	90.36 %
40°	18.36	921.96	1.84 %	92.20 %
45°	16.32	938.28	1.63 %	93.83 %
50°	14.54	952.81	1.45 %	95.28 %
55°	12.59	965.41	1.26 %	96.54 %
60°	10.24	975.65	1.02 %	97.56 %
65°	8.01	983.65	0.80 %	98.37 %
70°	6.00	989.65	0.60 %	98.97 %
75°	4.20	993.85	0.42 %	99.39 %
80°	2.86	996.71	0.29 %	99.67 %
85°	1.87	998.58	0.19 %	99.86 %
90°	1.42	1000.00	0.14 %	100.00 %
95°	0.00	1000.00	0.00 %	100.00 %
100°	0.00	1000.00	0.00 %	100.00 %
105°	0.00	1000.00	0.00 %	100.00 %
110°	0.00	1000.00	0.00 %	100.00 %
115°	0.00	1000.00	0.00 %	100.00 %
120°	0.00	1000.00	0.00 %	100.00 %
125°	0.00	1000.00	0.00 %	100.00 %
130°	0.00	1000.00	0.00 %	100.00 %
135°	0.00	1000.00	0.00 %	100.00 %
140°	0.00	1000.00	0.00 %	100.00 %
145°	0.00	1000.00	0.00 %	100.00 %
150°	0.00	1000.00	0.00 %	100.00 %
155°	0.00	1000.00	0.00 %	100.00 %
160°	0.00	1000.00	0.00 %	100.00 %
165°	0.00	1000.00	0.00 %	100.00 %
170°	0.00	1000.00	0.00 %	100.00 %
175°	0.00	1000.00	0.00 %	100.00 %
180°	0.00	1000.00	0.00 %	100.00 %

Luminaria

 Código 05-5625-05-81
 Nombre Aplic Book

Ensayo

 Código 05-5625-05-81
 Nombre Aplic Book

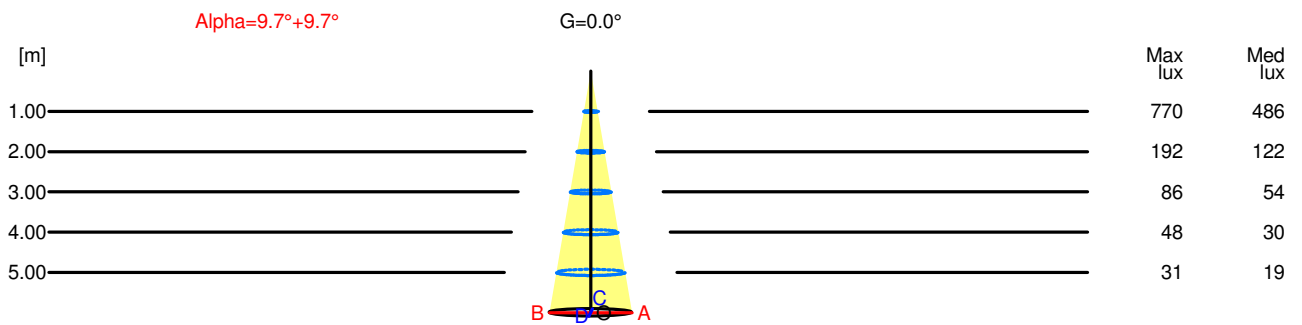
Flujo Luminaria	137.39 lm	Potencia luminaria	3.00 W	Eficacia	45.80 lm/W	Eficiencia	100.00%
Flujo de Lámpara	137.39 lm	Valor Máximo	5603.62 cd/klm	Posición	C=0.00 G=0.00	CG	Rotosimétrico

Apertura a 50.00 % de Max Intensidad

H[m]	1.00	2.00	3.00	4.00	5.00	H[m]	1.00	2.00	3.00	4.00	5.00
OA	0.17	0.34	0.51	0.68	0.85	OC	0.17	0.34	0.51	0.68	0.85
OB	0.17	0.34	0.51	0.68	0.85	OD	0.17	0.34	0.51	0.68	0.85

Intensidades Luminosas [cd/klm]

	0	5	15	25	35	45	55	65	75	85
OA	769.88	634.42	181.44	26.52	8.44	5.42	3.49	1.93	0.89	0.37
OB	769.88	634.42	181.44	26.52	8.44	5.42	3.49	1.93	0.89	0.37
OC	769.88	634.42	181.44	26.52	8.44	5.42	3.49	1.93	0.89	0.37
OD	769.88	634.42	181.44	26.52	8.44	5.42	3.49	1.93	0.89	0.37



H[m]	D[m]	Max lux	Med lux	Alpha=9.7°+9.7°	G=0.0
1.00	0.34	770	486		
2.00	0.68	192	122		
3.00	1.03	86	54		
4.00	1.37	48	30		
5.00	1.71	31	19		

Luminaria

Código 05-5625-05-81

Nombre Aplic Book

Ensayo

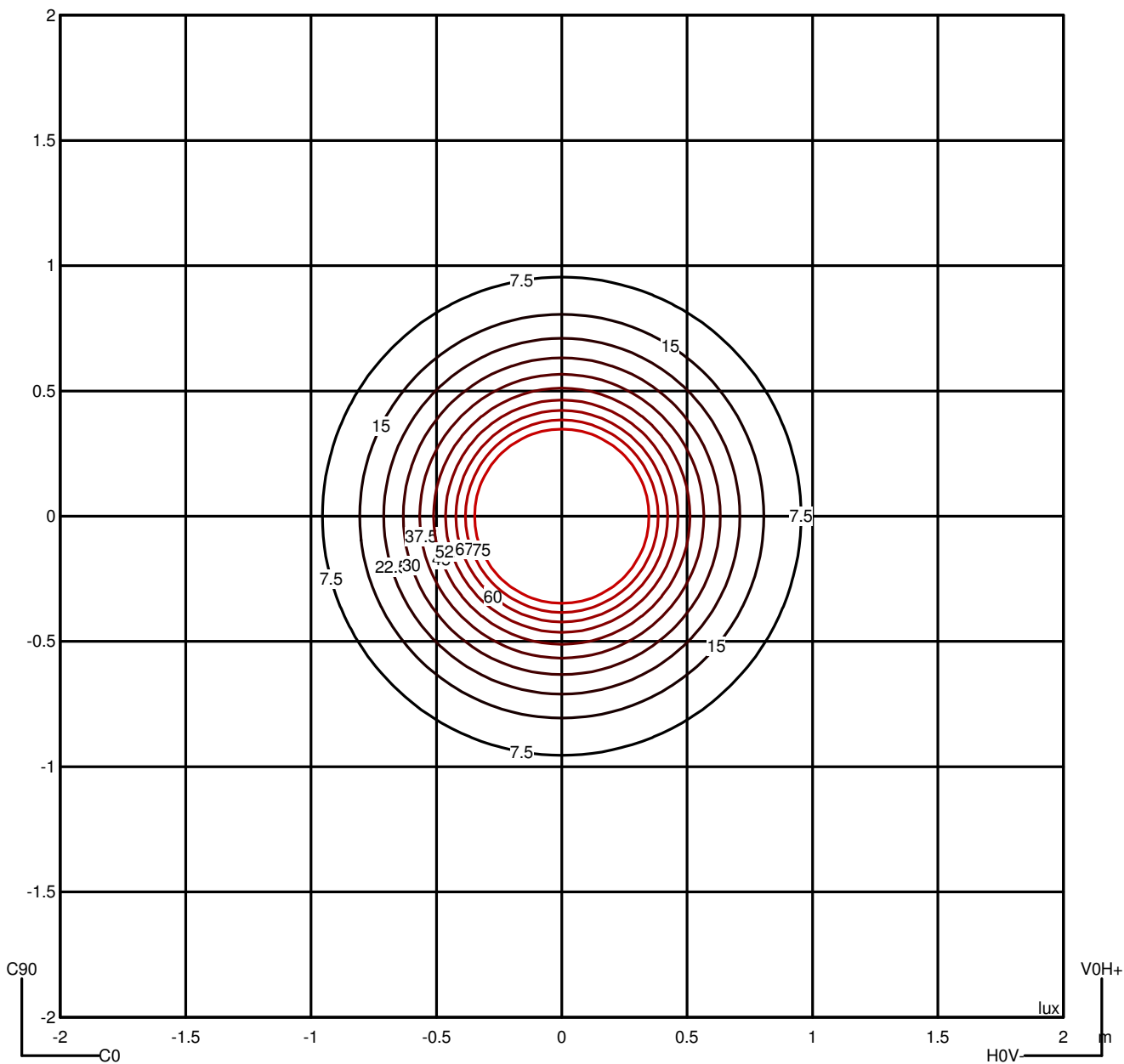
Código 05-5625-05-81

Nombre Aplic Book

Flujo Luminaria	137.39 lm	Potencia luminaria	3.00 W	Eficacia	45.80 lm/W	Eficiencia	100.00%
Flujo de Lámpara	137.39 lm	Valor Máximo	5603.62 cd/klm	Posición	C=0.00 G=0.00	CG	Rotosimétrico

Isolux (Suelo)

Posición Luminaria X=0.00m Y=0.00m Z=2.50m



Luminaria

Código 05-5625-05-81

Nombre Aplic Book

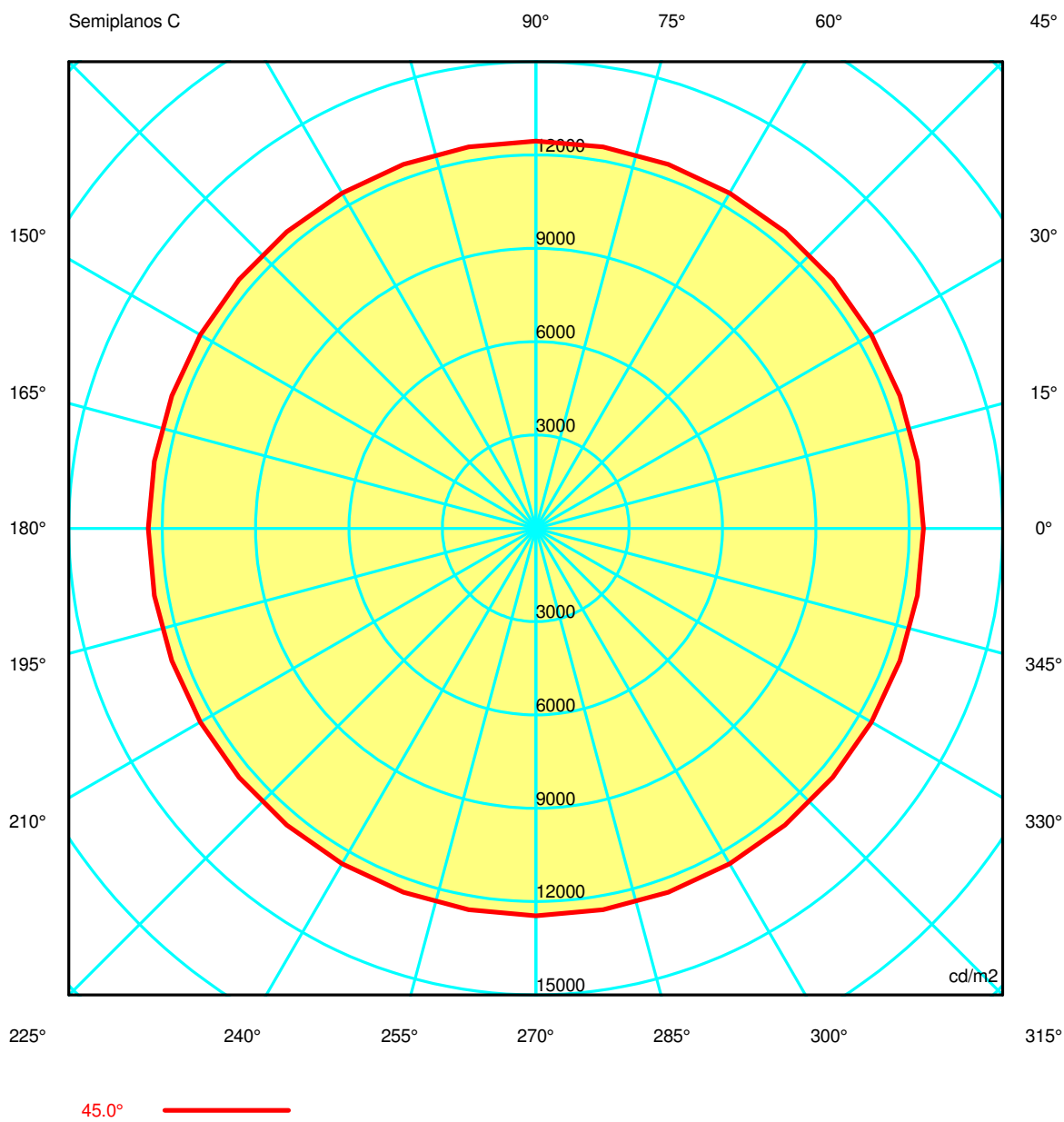
Ensayo

Código 05-5625-05-81

Nombre Aplic Book

Flujo Luminaria	137.39 lm	Potencia luminaria	3.00 W	Eficacia	45.80 lm/W	Eficiencia	100.00%
Flujo de Lámpara	137.39 lm	Valor Máximo	5603.62 cd/klm	Posición	C=0.00 G=0.00	CG	Rotosimétrico

Luminancia



Luminaria

Código 05-5625-05-81

Nombre Aplic Book

Ensayo

Código 05-5625-05-81

Nombre Aplic Book

Flujo Luminaria	137.39 lm	Potencia luminaria	3.00 W	Eficacia	45.80 lm/W	Eficiencia	100.00%
Flujo de Lámpara	137.39 lm	Valor Máximo	5603.62 cd/klm	Posición	C=0.00 G=0.00	CG	Rotosimétrico

Luminance cd/m2 Tabla 1/3

	C 0.00	C 10.00	C 20.00	C 30.00	C 40.00	C 50.00	C 60.00	C 70.00	C 80.00	C 90.00	C 100.00	C 110.00	C 120.00
G 0.0	1250310.36	1250310.36	1250310.36	1250310.36	1250310.36	1250310.36	1250310.36	1250310.36	1250310.36	1250310.36	1250310.36	1250310.36	1250310.36
G 5.0	1034248.87	1034248.87	1034248.87	1034248.87	1034248.87	1034248.87	1034248.87	1034248.87	1034248.87	1034248.87	1034248.87	1034248.87	1034248.87
G 10.0	608730.37	608730.37	608730.37	608730.37	608730.37	608730.37	608730.37	608730.37	608730.37	608730.37	608730.37	608730.37	608730.37
G 15.0	305059.31	305059.31	305059.31	305059.31	305059.31	305059.31	305059.31	305059.31	305059.31	305059.31	305059.31	305059.31	305059.31
G 20.0	119773.18	119773.18	119773.18	119773.18	119773.18	119773.18	119773.18	119773.18	119773.18	119773.18	119773.18	119773.18	119773.18
G 25.0	47529.26	47529.26	47529.26	47529.26	47529.26	47529.26	47529.26	47529.26	47529.26	47529.26	47529.26	47529.26	47529.26
G 30.0	23855.21	23855.21	23855.21	23855.21	23855.21	23855.21	23855.21	23855.21	23855.21	23855.21	23855.21	23855.21	23855.21
G 35.0	16726.29	16726.29	16726.29	16726.29	16726.29	16726.29	16726.29	16726.29	16726.29	16726.29	16726.29	16726.29	16726.29
G 40.0	14175.04	14175.04	14175.04	14175.04	14175.04	14175.04	14175.04	14175.04	14175.04	14175.04	14175.04	14175.04	14175.04
G 45.0	12449.51	12449.51	12449.51	12449.51	12449.51	12449.51	12449.51	12449.51	12449.51	12449.51	12449.51	12449.51	12449.51
G 50.0	11275.38	11275.38	11275.38	11275.38	11275.38	11275.38	11275.38	11275.38	11275.38	11275.38	11275.38	11275.38	11275.38
G 55.0	9893.61	9893.61	9893.61	9893.61	9893.61	9893.61	9893.61	9893.61	9893.61	9893.61	9893.61	9893.61	9893.61
G 60.0	8418.87	8418.87	8418.87	8418.87	8418.87	8418.87	8418.87	8418.87	8418.87	8418.87	8418.87	8418.87	8418.87
G 65.0	7434.54	7434.54	7434.54	7434.54	7434.54	7434.54	7434.54	7434.54	7434.54	7434.54	7434.54	7434.54	7434.54
G 70.0	6262.55	6262.55	6262.55	6262.55	6262.55	6262.55	6262.55	6262.55	6262.55	6262.55	6262.55	6262.55	6262.55
G 75.0	5584.31	5584.31	5584.31	5584.31	5584.31	5584.31	5584.31	5584.31	5584.31	5584.31	5584.31	5584.31	5584.31
G 80.0	5396.38	5396.38	5396.38	5396.38	5396.38	5396.38	5396.38	5396.38	5396.38	5396.38	5396.38	5396.38	5396.38
G 85.0	6875.80	6875.80	6875.80	6875.80	6875.80	6875.80	6875.80	6875.80	6875.80	6875.80	6875.80	6875.80	6875.80
G 90.0	0.00	0.00	0.00	0.00	0.00	0.00	0.00	0.00	0.00	0.00	0.00	0.00	0.00

Luminaria

Código 05-5625-05-81

Nombre Aplic Book

Ensayo

Código 05-5625-05-81

Nombre Aplic Book

Flujo Luminaria	137.39 lm	Potencia luminaria	3.00 W	Eficacia	45.80 lm/W	Eficiencia	100.00%
Flujo de Lámpara	137.39 lm	Valor Máximo	5603.62 cd/klm	Posición	C=0.00 G=0.00	CG	Rotosimétrico

Luminance cd/m2 Tabla 2/3

	C 130.00	C 140.00	C 150.00	C 160.00	C 170.00	C 180.00	C 190.00	C 200.00	C 210.00	C 220.00	C 230.00	C 240.00	C 250.00
G 0.0	1250310.36	1250310.36	1250310.36	1250310.36	1250310.36	1250310.36	1250310.36	1250310.36	1250310.36	1250310.36	1250310.36	1250310.36	1250310.36
G 5.0	1034248.87	1034248.87	1034248.87	1034248.87	1034248.87	1034248.87	1034248.87	1034248.87	1034248.87	1034248.87	1034248.87	1034248.87	1034248.87
G 10.0	608730.37	608730.37	608730.37	608730.37	608730.37	608730.37	608730.37	608730.37	608730.37	608730.37	608730.37	608730.37	608730.37
G 15.0	305059.31	305059.31	305059.31	305059.31	305059.31	305059.31	305059.31	305059.31	305059.31	305059.31	305059.31	305059.31	305059.31
G 20.0	119773.18	119773.18	119773.18	119773.18	119773.18	119773.18	119773.18	119773.18	119773.18	119773.18	119773.18	119773.18	119773.18
G 25.0	47529.26	47529.26	47529.26	47529.26	47529.26	47529.26	47529.26	47529.26	47529.26	47529.26	47529.26	47529.26	47529.26
G 30.0	23855.21	23855.21	23855.21	23855.21	23855.21	23855.21	23855.21	23855.21	23855.21	23855.21	23855.21	23855.21	23855.21
G 35.0	16726.29	16726.29	16726.29	16726.29	16726.29	16726.29	16726.29	16726.29	16726.29	16726.29	16726.29	16726.29	16726.29
G 40.0	14175.04	14175.04	14175.04	14175.04	14175.04	14175.04	14175.04	14175.04	14175.04	14175.04	14175.04	14175.04	14175.04
G 45.0	12449.51	12449.51	12449.51	12449.51	12449.51	12449.51	12449.51	12449.51	12449.51	12449.51	12449.51	12449.51	12449.51
G 50.0	11275.38	11275.38	11275.38	11275.38	11275.38	11275.38	11275.38	11275.38	11275.38	11275.38	11275.38	11275.38	11275.38
G 55.0	9893.61	9893.61	9893.61	9893.61	9893.61	9893.61	9893.61	9893.61	9893.61	9893.61	9893.61	9893.61	9893.61
G 60.0	8418.87	8418.87	8418.87	8418.87	8418.87	8418.87	8418.87	8418.87	8418.87	8418.87	8418.87	8418.87	8418.87
G 65.0	7434.54	7434.54	7434.54	7434.54	7434.54	7434.54	7434.54	7434.54	7434.54	7434.54	7434.54	7434.54	7434.54
G 70.0	6262.55	6262.55	6262.55	6262.55	6262.55	6262.55	6262.55	6262.55	6262.55	6262.55	6262.55	6262.55	6262.55
G 75.0	5584.31	5584.31	5584.31	5584.31	5584.31	5584.31	5584.31	5584.31	5584.31	5584.31	5584.31	5584.31	5584.31
G 80.0	5396.38	5396.38	5396.38	5396.38	5396.38	5396.38	5396.38	5396.38	5396.38	5396.38	5396.38	5396.38	5396.38
G 85.0	6875.80	6875.80	6875.80	6875.80	6875.80	6875.80	6875.80	6875.80	6875.80	6875.80	6875.80	6875.80	6875.80
G 90.0	0.00	0.00	0.00	0.00	0.00	0.00	0.00	0.00	0.00	0.00	0.00	0.00	0.00

Luminaria

Código 05-5625-05-81

Nombre Aplic Book

Ensayo

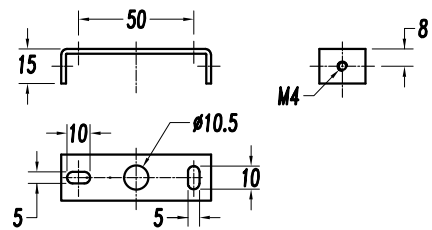
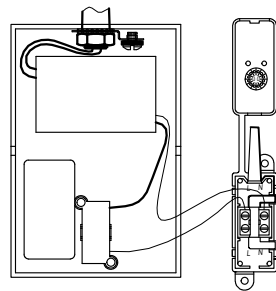
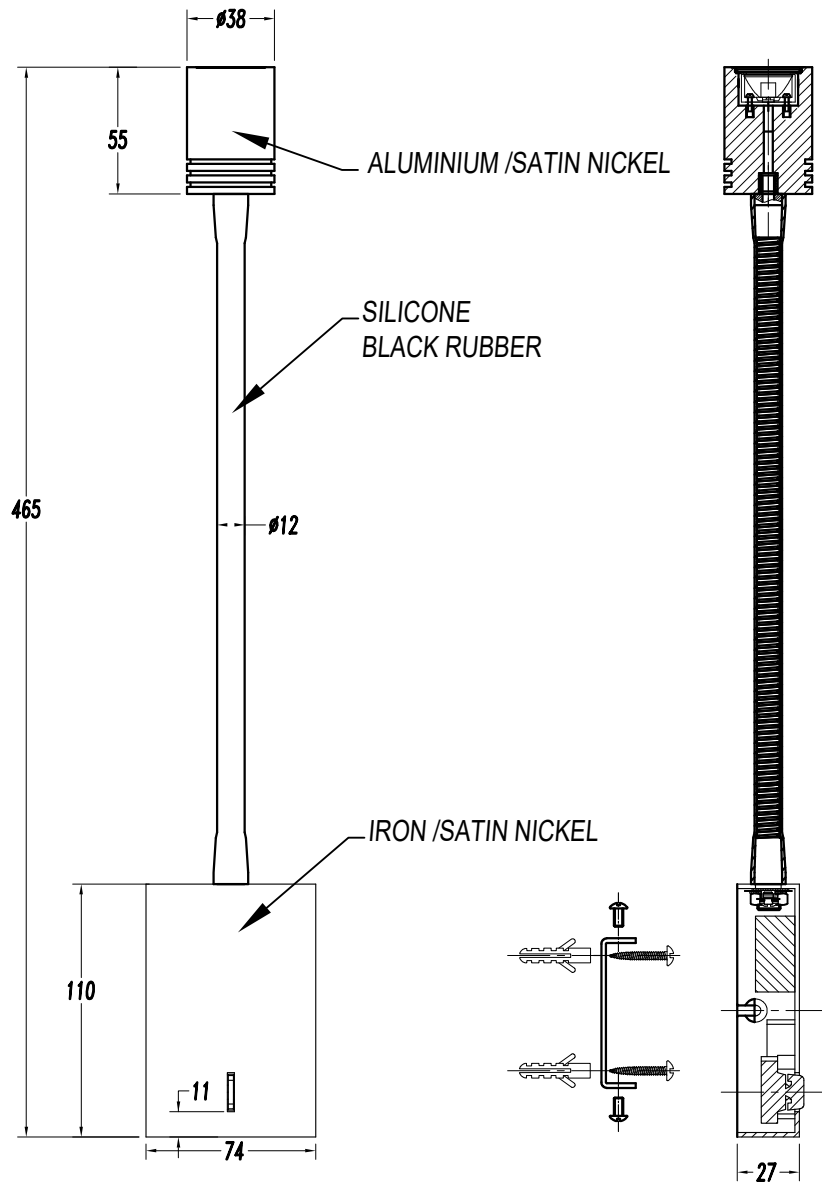
Código 05-5625-05-81

Nombre Aplic Book

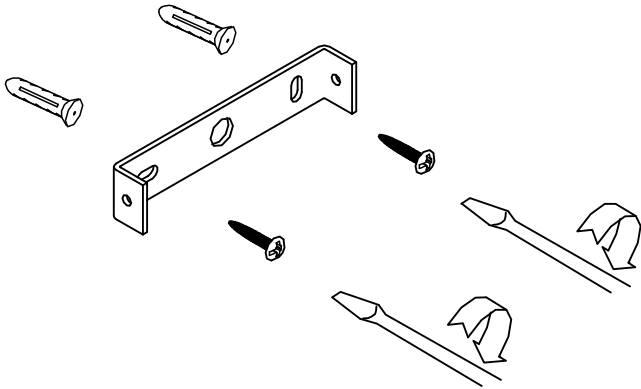
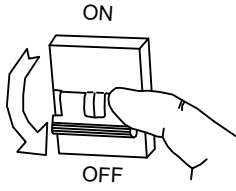
Flujo Luminaria	137.39 lm	Potencia luminaria	3.00 W	Eficacia	45.80 lm/W	Eficiencia	100.00%
Flujo de Lámpara	137.39 lm	Valor Máximo	5603.62 cd/klm	Posición	C=0.00 G=0.00	CG	Rotosimétrico

Luminance cd/m2 Tabla 3/3

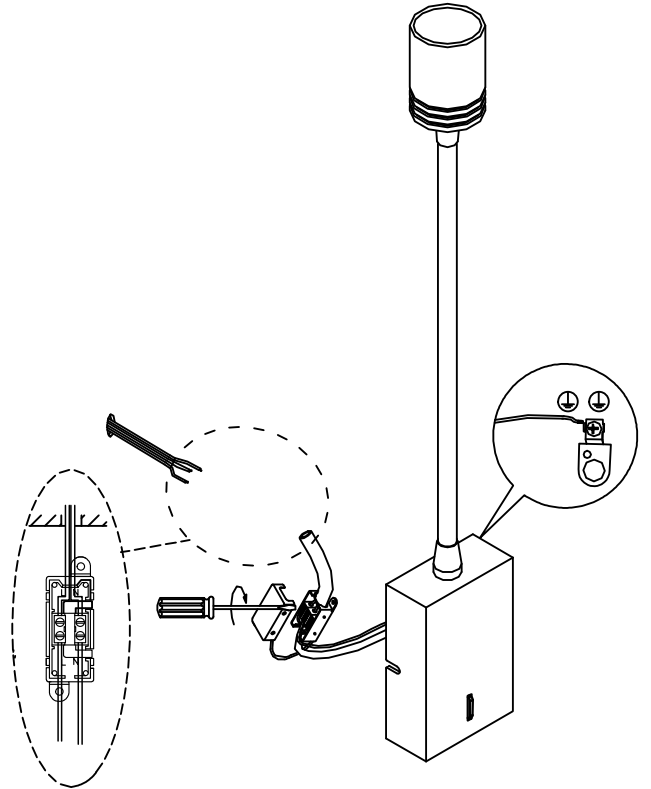
	C 260.00	C 270.00	C 280.00	C 290.00	C 300.00	C 310.00	C 320.00	C 330.00	C 340.00	C 350.00
G 0.0	1250310.36	1250310.36	1250310.36	1250310.36	1250310.36	1250310.36	1250310.36	1250310.36	1250310.36	1250310.36
G 5.0	1034248.87	1034248.87	1034248.87	1034248.87	1034248.87	1034248.87	1034248.87	1034248.87	1034248.87	1034248.87
G 10.0	608730.37	608730.37	608730.37	608730.37	608730.37	608730.37	608730.37	608730.37	608730.37	608730.37
G 15.0	305059.31	305059.31	305059.31	305059.31	305059.31	305059.31	305059.31	305059.31	305059.31	305059.31
G 20.0	119773.18	119773.18	119773.18	119773.18	119773.18	119773.18	119773.18	119773.18	119773.18	119773.18
G 25.0	47529.26	47529.26	47529.26	47529.26	47529.26	47529.26	47529.26	47529.26	47529.26	47529.26
G 30.0	23855.21	23855.21	23855.21	23855.21	23855.21	23855.21	23855.21	23855.21	23855.21	23855.21
G 35.0	16726.29	16726.29	16726.29	16726.29	16726.29	16726.29	16726.29	16726.29	16726.29	16726.29
G 40.0	14175.04	14175.04	14175.04	14175.04	14175.04	14175.04	14175.04	14175.04	14175.04	14175.04
G 45.0	12449.51	12449.51	12449.51	12449.51	12449.51	12449.51	12449.51	12449.51	12449.51	12449.51
G 50.0	11275.38	11275.38	11275.38	11275.38	11275.38	11275.38	11275.38	11275.38	11275.38	11275.38
G 55.0	9893.61	9893.61	9893.61	9893.61	9893.61	9893.61	9893.61	9893.61	9893.61	9893.61
G 60.0	8418.87	8418.87	8418.87	8418.87	8418.87	8418.87	8418.87	8418.87	8418.87	8418.87
G 65.0	7434.54	7434.54	7434.54	7434.54	7434.54	7434.54	7434.54	7434.54	7434.54	7434.54
G 70.0	6262.55	6262.55	6262.55	6262.55	6262.55	6262.55	6262.55	6262.55	6262.55	6262.55
G 75.0	5584.31	5584.31	5584.31	5584.31	5584.31	5584.31	5584.31	5584.31	5584.31	5584.31
G 80.0	5396.38	5396.38	5396.38	5396.38	5396.38	5396.38	5396.38	5396.38	5396.38	5396.38
G 85.0	6875.80	6875.80	6875.80	6875.80	6875.80	6875.80	6875.80	6875.80	6875.80	6875.80
G 90.0	0.00	0.00	0.00	0.00	0.00	0.00	0.00	0.00	0.00	0.00



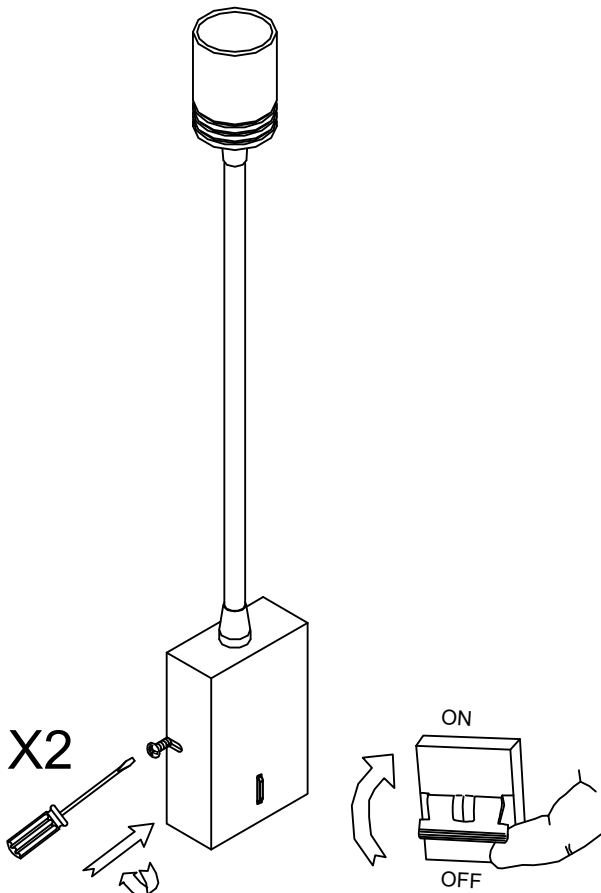
1



2



3



4

