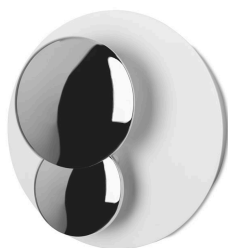


## 05-4921-21-14V0

### STRATA Applique

Designer: Josep Patsí



#### Description

Applique à usage intérieur pour éclairer vers le haut.

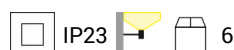
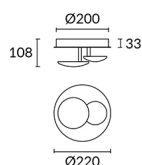
Matière structure: Aluminium, Acier. Finition structure: Chrome, Blanc. Garantie: 2 Ans.

#### Finition

Chrome  
Blanc

#### Matière

Aluminium  
Acier



#### CARACTÉRISTIQUES TECHNIQUES

##### Source lumineuse

Source lumineuse: LED CREE

Puissance (W): 14W

Température de couleur: Blanc chaud -  
3 000 K

CRI: 80

Risque photobiologique: RG1

Lumens réels: 721

Nbr de LED: 2

Lm/W réels: 52

Durée de vie: 50.000h L70B30

Bin / Grup: 30H

MacAdam steps: 2

Facteur UGR: 14.1

##### ÉQUIPEMENT

Marque: EAGLERISE

Équipement compris: Oui, électronique

Facteur de puissance: 0.90

##### Luminaire

Garantie: 2 Ans

##### Logistique

Efficacité énergétique: LED A++

Code EAN: 8435381425173

Poids net (kg): 1.390

Poids en kg (emballé): 1.950

Boîte: 270 x 135 x 290

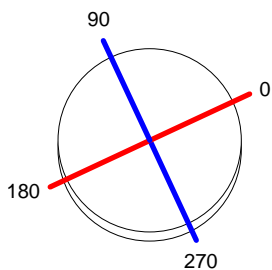
Masterbox: 6

La finition de la photographie peut ne pas coïncider avec celle de la référence. Pour identifier la finition réelle, voir la description de cette dernière.

<b>Luminaire</b>		<b>Measur.</b>		<b>Lamp</b>	
Code	05-4921-21-14	Code	05-4921-21-14	Code	05-4921-21-14
Name	Aplique STRATA 2xLED 14W	Name	Aplique STRATA 2xLED 14W	Number	1
Line	Eulumdat	Date	10-03-2015	Position	
Efficiency	100.00%	Coordinate system	CG	Total Flux	720.97 lm
Maximum value	132.27 cd	Position	C=270.00 G=120.00	Sym. on planes	270-90
Round Luminaire	Diam.	220 mm	Height	108 mm	
Round Luminous Area	Diam.	220 mm	Height	75 mm	
Horizontal Luminous Area	0.038013 m2	Emitting area on Plane 180°	0.016500 m2		
Emitting area on Plane 0°	0.016500 m2	Emitting area on Plane 270°	0.016500 m2		
Emitting area on Plane 90°	0.016500 m2	Glare area at 76°	0.025206 m2		
Symmetry Type	Sym. on planes 270-90	Maximum Gamma Angle	180		
Measurement Distance	0.00	Measurement Flux	720.97 lm		
Operator	Asselum T2	Source voltage			
Temperature	25.00 °C	Source current			
Humidity	60.00 %	Photocell			
Notes					

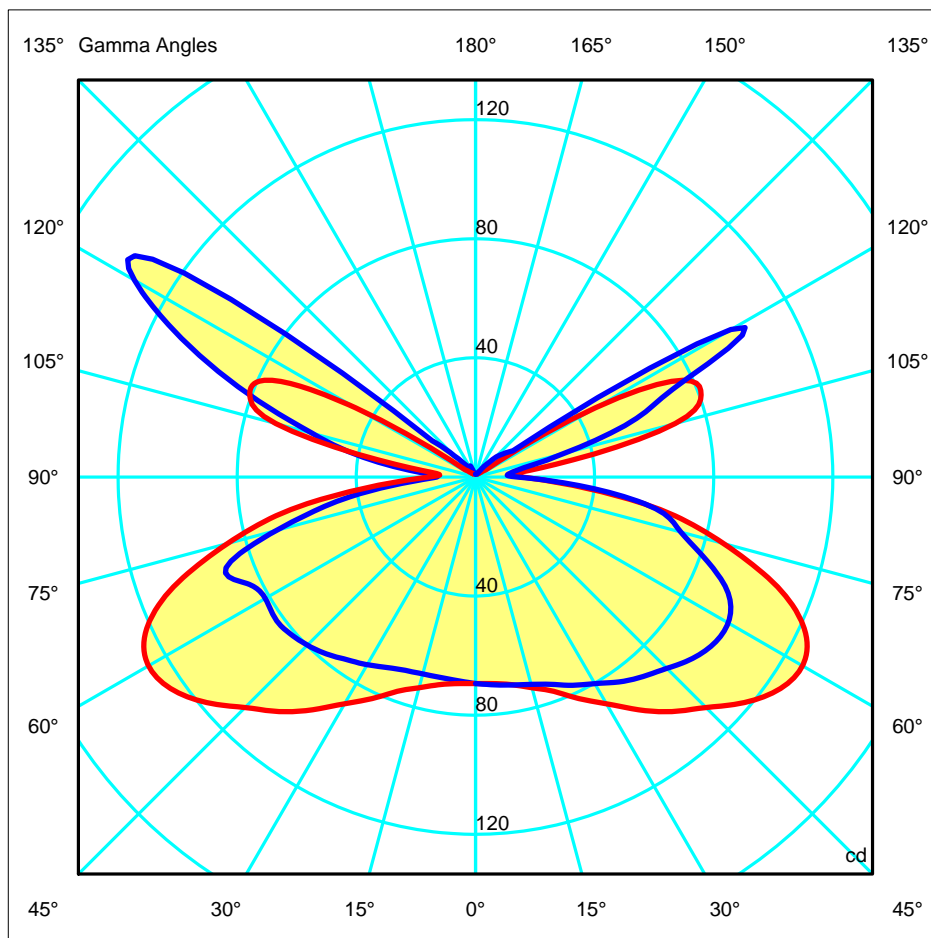
Luminaire Lamps					
Line	Code	Name	Flux [lm]	Pow. [W]	Q.ty
Eulumdat	05-4921-21-14	05-4921-21-14 - 14.00 W	720.97	14.00	1
C.I.E.	25 57 87 72 100	D DIN 5040	B11		
F UTE	0.72 J + 0.28 T	B NBN	BZ 8 / 0.8 / BZ 7 / 2.5 / BZ 6		

Diam=220mm



**C Halfplanes**  
 270.0 ———— 0.0  
 180.0 ———— 90.0

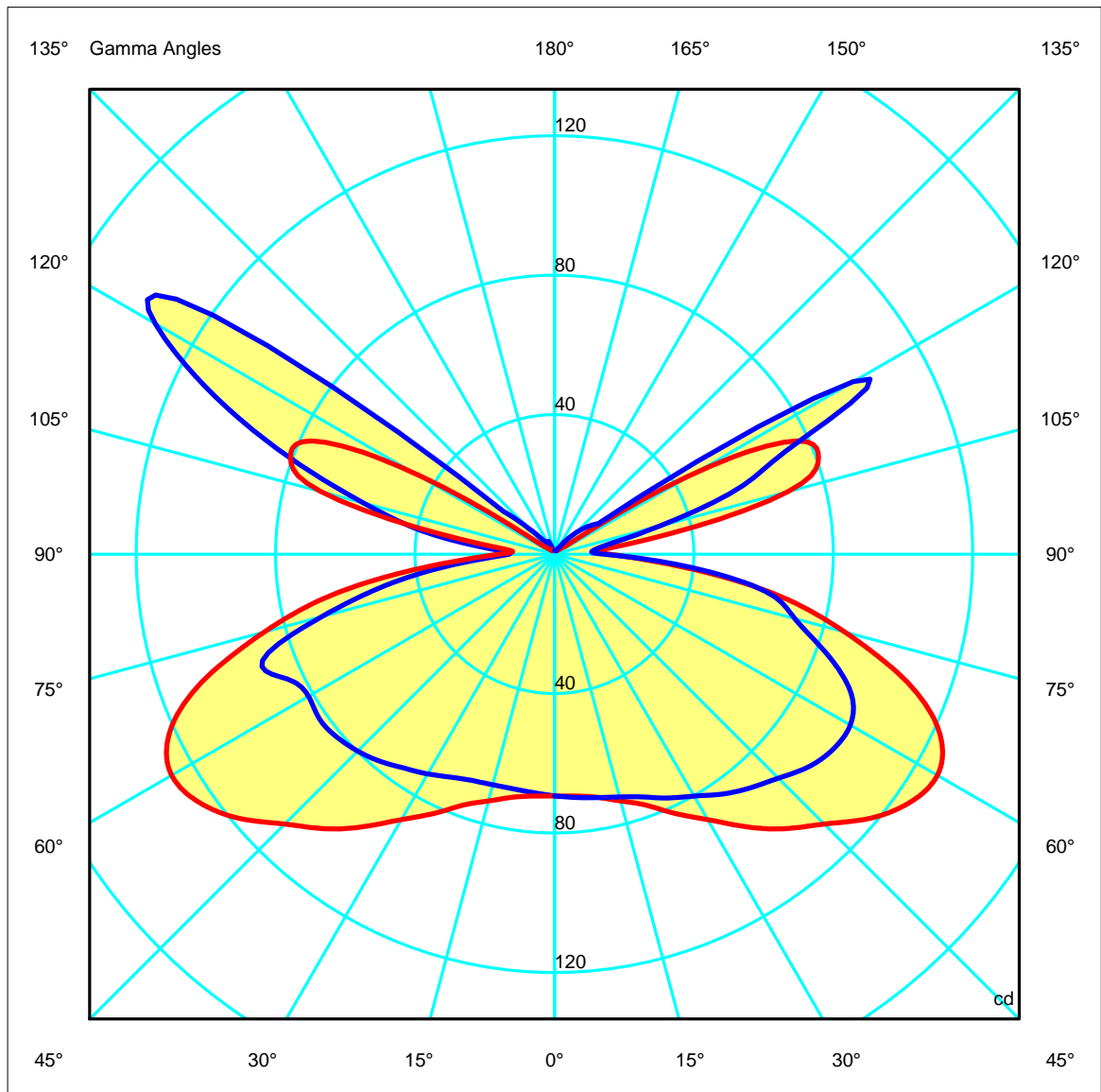
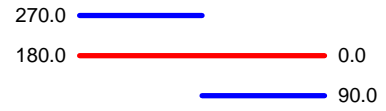
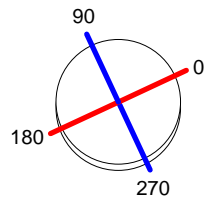
ULOR      27.92 %  
 DLOR     72.08 %  
 RN        27.92 %



<b>Luminaire</b>		<b>Measur.</b>		<b>Lamp</b>	
Code	05-4921-21-14	Code	05-4921-21-14	Code	05-4921-21-14
Name	Aplique STRATA 2xLED 14W	Name	Aplique STRATA 2xLED 14W	Number	1
Line	Eulumdat	Date	10-03-2015	Position	
Efficiency	100.00%	Coordinate system	CG	Total Flux	720.97 lm

Diam=220mm

C Halfplanes



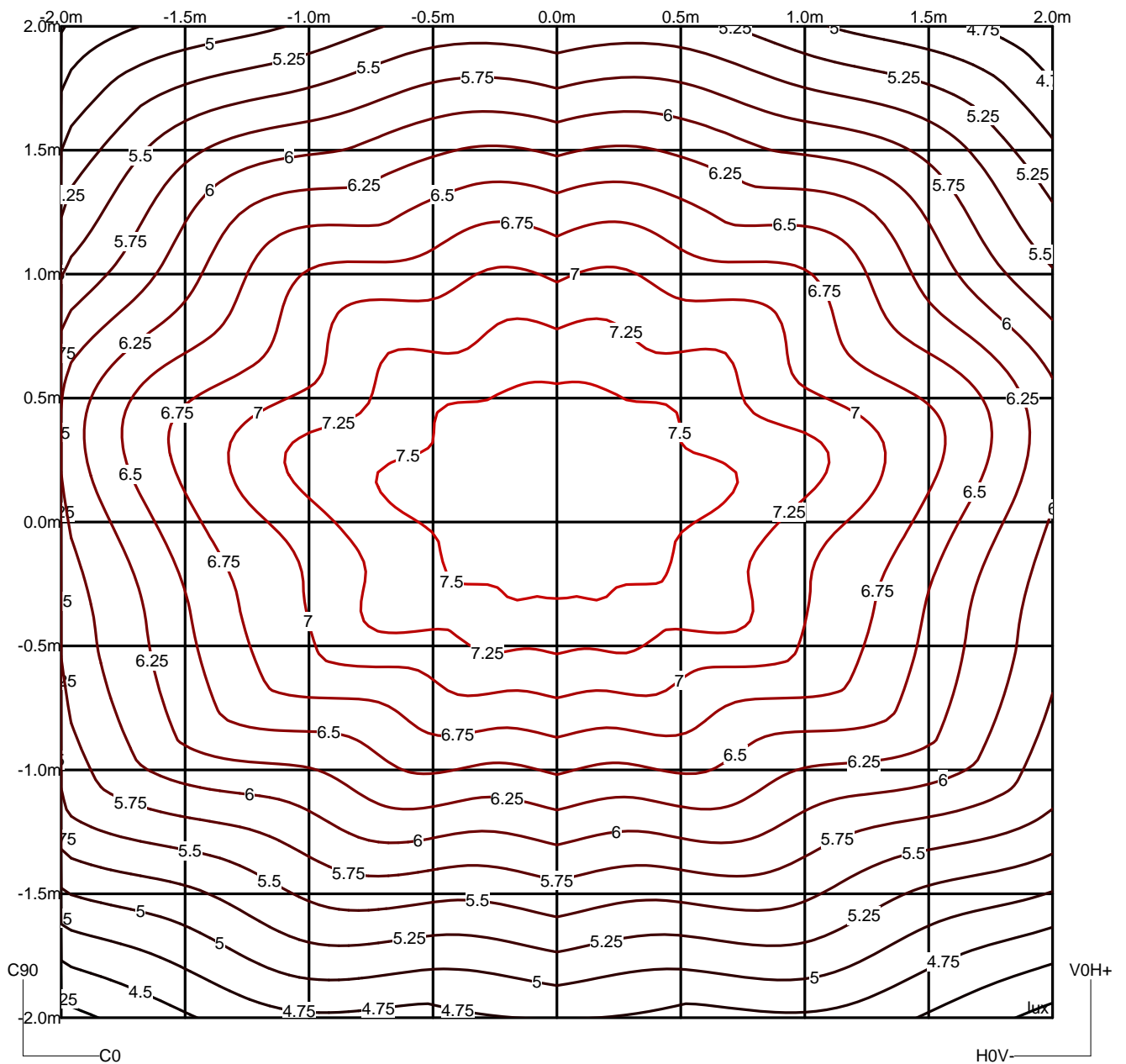


<b>Luminaire</b>	<b>Measur.</b>	<b>Lamp</b>
Code 05-4921-21-14	Code 05-4921-21-14	Code 05-4921-21-14
Name Applique STRATA 2xLED 14W	Name Applique STRATA 2xLED 14W	Number 1
Line Eulumat	Date 10-03-2015	Position

Efficiency 100.00%	Coordinate system CG	Total Flux 720.97 lm
--------------------	----------------------	----------------------

Isolux (Floor)

Luminaire position X=0.00m Y=0.00m Z=3.00m



**Luminaire**

Code 05-4921-21-14  
 Name Aplique STRATA 2xLED 14W  
 Line Eulumdat

**Measur.**

Code 05-4921-21-14  
 Name Aplique STRATA 2xLED 14W  
 Date 10-03-2015

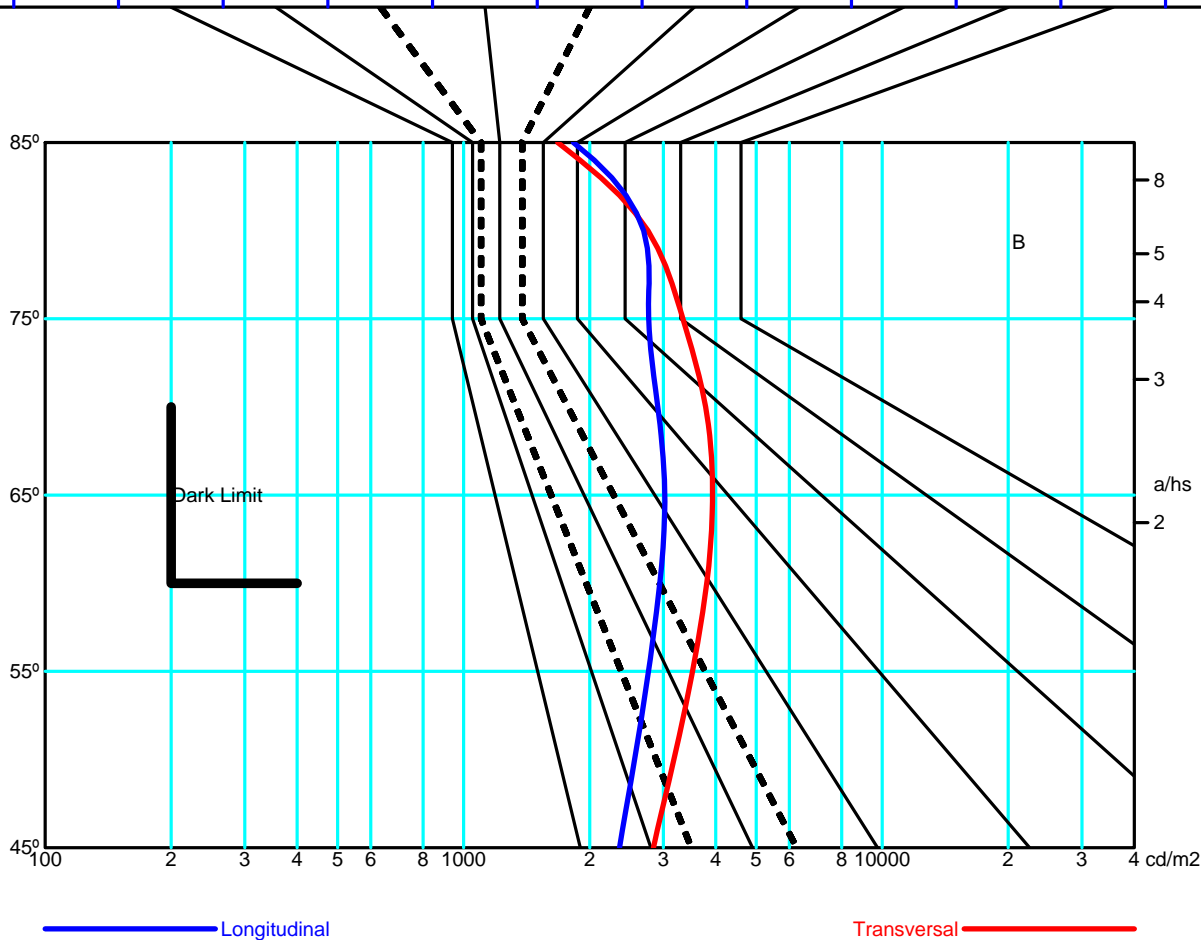
**Lamp**

Code 05-4921-21-14  
 Number 1  
 Position

Efficiency 100.00%      Coordinate system CG      Total Flux 720.97 lm

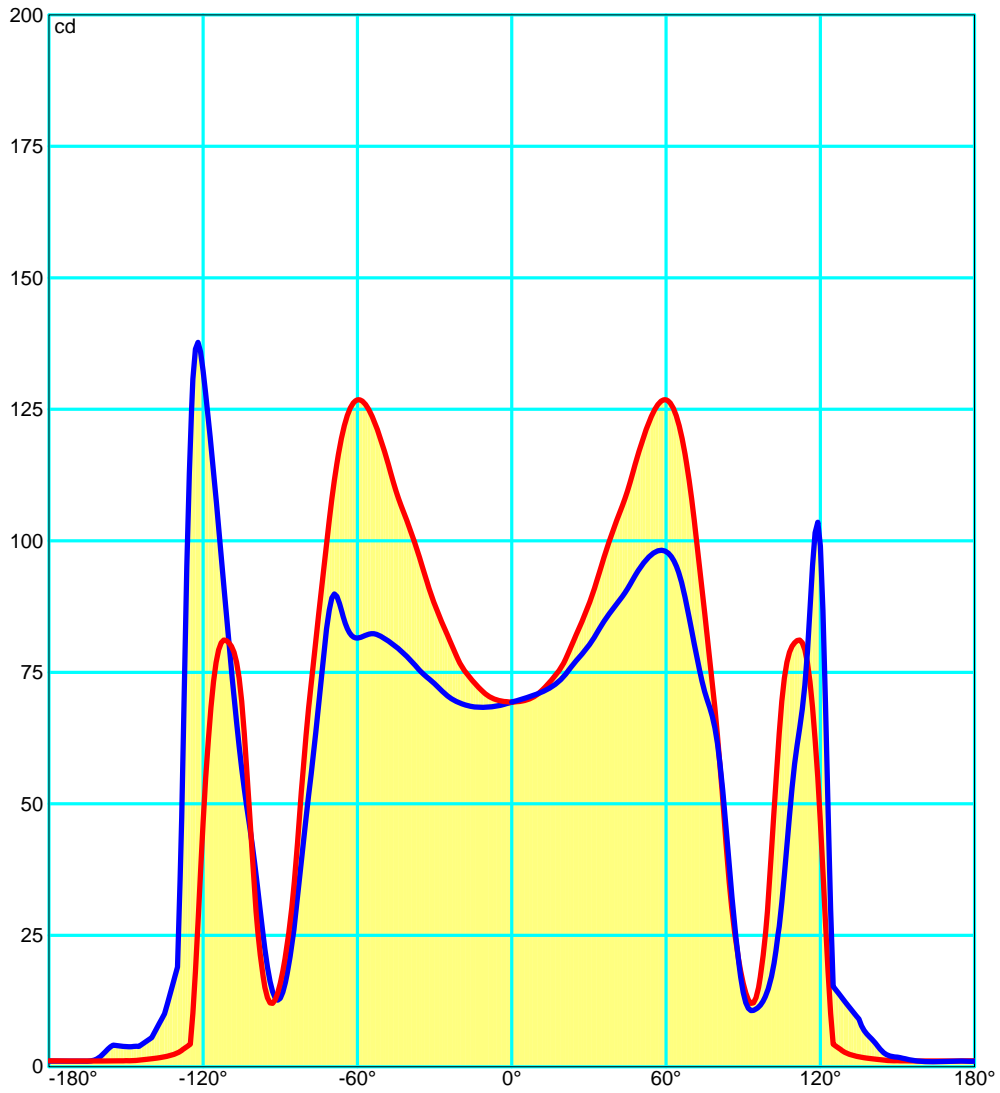
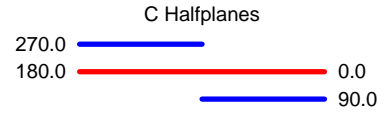
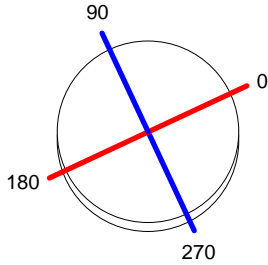
		Average Luminance [cd/m <sup>2</sup> ]										
		0.0°	45°	50°	55°	60°	65°	70°	75°	80°	85°	
0.0°		2840	3181	3519	3810	3932	3786	3340	2757	1678	---	
90.0°		2357	2562	2762	2943	3023	2910	2768	2691	1829	---	

Flush mounted or transversal view												
		Illumination(lx)										
A	A	2000	1000	750	500		<300					1.15
B	1		2000	1500	1000	750	500	<300				1.5
C					2000		1000	500	<300			1.85
D	2						2000	1000	500	<300		2.2
E	3							2000	1000	500	<300	2.55



Luminaire		Measur.		Lamp	
Code	05-4921-21-14	Code	05-4921-21-14	Code	05-4921-21-14
Name	Aplique STRATA 2xLED 14W	Name	Aplique STRATA 2xLED 14W	Number	1
Line	Eulumdat	Date	10-03-2015	Position	
Efficiency	100.00%	Coordinate system	CG	Total Flux	720.97 lm

Diam=220mm



<b>Luminaire</b>		<b>Measur.</b>		<b>Lamp</b>	
Code	05-4921-21-14	Code	05-4921-21-14	Code	05-4921-21-14
Name	Aplique STRATA 2xLED 14W	Name	Aplique STRATA 2xLED 14W	Number	1
Line	Eulumdat	Date	10-03-2015	Position	
Efficiency	100.00%	Coordinate system	CG	Total Flux	720.97 lm

**UGR**  
S = 0.250

Reflectancies										
Ceiling/Cavity	0.7	0.7	0.5	0.5	0.3	0.7	0.7	0.5	0.5	0.3
Walls	0.5	0.3	0.5	0.3	0.3	0.5	0.3	0.5	0.3	0.3
WorkingPlane	0.2	0.2	0.2	0.2	0.2	0.2	0.2	0.2	0.2	0.2
RoomDimensions	ViewedCrosswise					ViewedEndwise				
x=2H y=2H	16.1	17.4	16.8	18.0	16.8	14.1	15.3	14.8	16.0	16.8
x=2H y=3H	18.6	19.7	19.3	20.4	19.5	16.9	18.0	17.6	18.7	19.5
x=2H y=4H	19.6	20.6	20.3	21.3	20.7	18.1	19.1	18.8	19.9	20.7
x=2H y=6H	20.3	21.2	21.0	21.9	21.5	18.9	19.9	19.7	20.6	21.5
x=2H y=8H	20.5	21.4	21.2	22.1	21.7	19.2	20.1	19.9	20.8	21.7
x=2H y=12H	20.6	21.5	21.3	22.2	21.8	19.3	20.2	20.1	20.9	21.8
x=4H y=2H	17.0	18.0	17.7	18.8	18.4	15.8	16.8	16.5	17.5	18.4
x=4H y=3H	19.6	20.4	20.3	21.2	20.9	18.4	19.2	19.1	20.0	20.9
x=4H y=4H	20.6	21.4	21.4	22.1	22.0	19.5	20.3	20.3	21.1	22.0
x=4H y=6H	21.4	22.1	22.2	22.9	22.9	20.4	21.1	21.2	21.9	22.9
x=4H y=8H	21.7	22.3	22.4	23.1	23.2	20.8	21.4	21.6	22.2	23.2
x=4H y=12H	21.8	22.4	22.6	23.2	23.3	21.0	21.5	21.8	22.3	23.3
x=8H y=4H	20.9	21.6	21.7	22.4	22.5	20.1	20.7	20.9	21.5	22.5
x=8H y=6H	21.9	22.4	22.7	23.2	23.4	21.1	21.6	21.9	22.4	23.4
x=8H y=8H	22.2	22.7	23.0	23.5	23.8	21.4	21.9	22.3	22.7	23.8
x=8H y=12H	22.4	22.8	23.3	23.7	24.0	21.8	22.1	22.6	23.0	24.0
x=12H y=4H	21.0	21.5	21.8	22.3	22.5	20.1	20.7	20.9	21.5	22.5
x=12H y=6H	21.9	22.4	22.8	23.2	23.5	21.2	21.6	22.0	22.5	23.5
x=12H y=8H	22.3	22.7	23.2	23.5	23.9	21.6	22.0	22.4	22.8	23.9



<b>Luminaire</b>	<b>Measur.</b>	<b>Lamp</b>
Code 05-4921-21-14	Code 05-4921-21-14	Code 05-4921-21-14
Name Applique STRATA 2xLED 14W	Name Applique STRATA 2xLED 14W	Number 1
Line Eulumdat	Date 10-03-2015	Position

Efficiency 100.00%	Coordinate system CG	Total Flux 720.97 lm
--------------------	----------------------	----------------------

Total Flux=720.97 Luminaire Flux=720.97

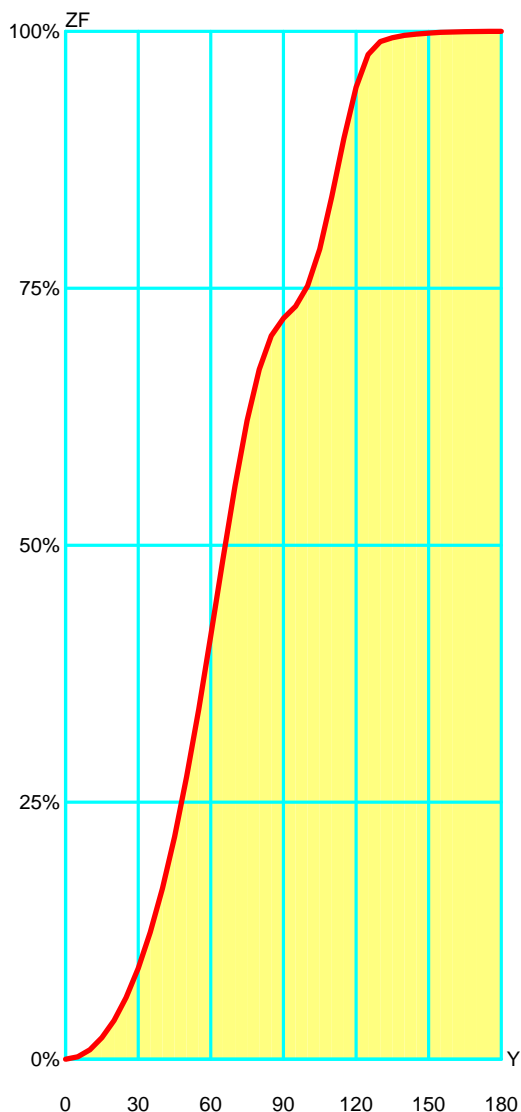
	0.60	0.80	1.00	1.25	1.50	2.00	2.50	3.00	4.00	5.00	10.00	20.00
RI	0.15	0.22	0.29	0.36	0.42	0.52	0.59	0.64	0.72	0.76	0.87	0.93
DRR	9	9	9	8	8	8	8	8	7	7	7	7
RC												

Zonal Flux per 1000 Lumen

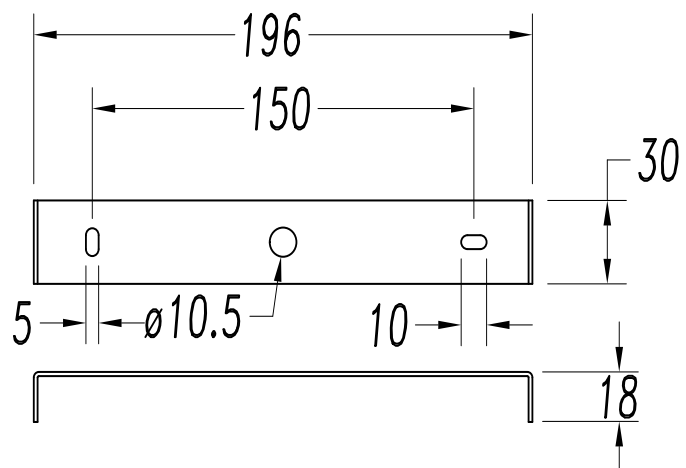
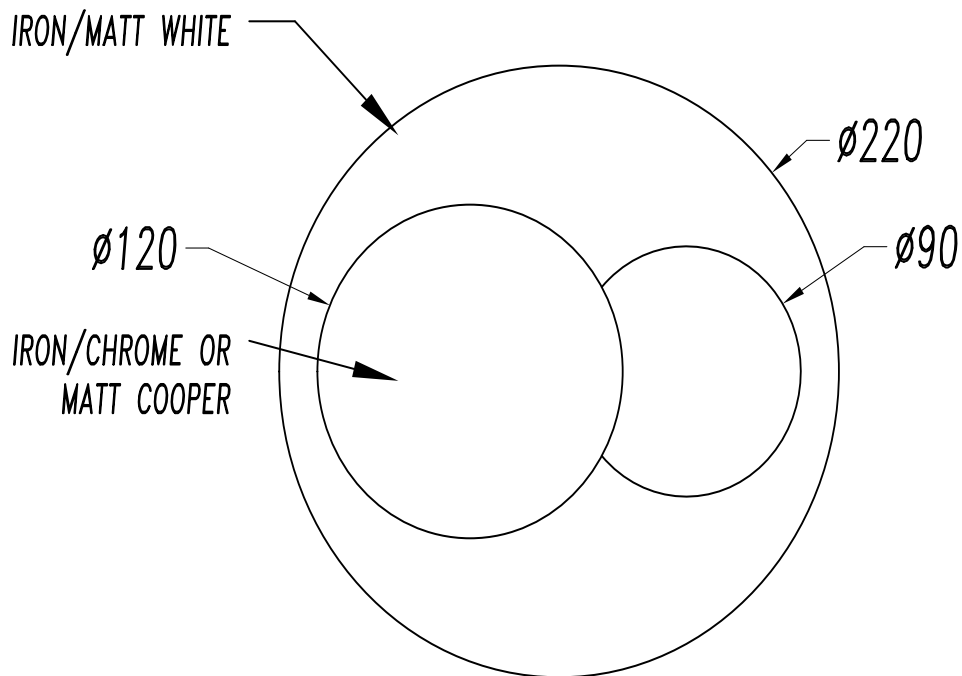
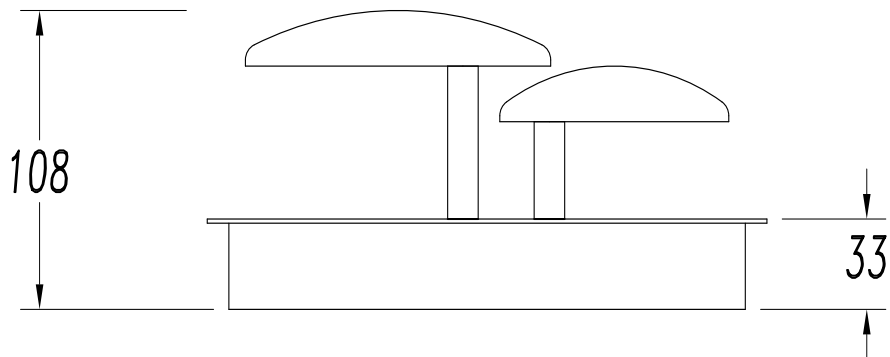
	10	20	30	40	50	60	70	80	90	100	110	120	130	140	150	160	170	180
Y°	9	38	88	166	275	412	558	671	721	752	839	946	990	996	998	999	1000	1000
ZF(Y)																		

CIE Flux Codes  
25 57 87 72 100

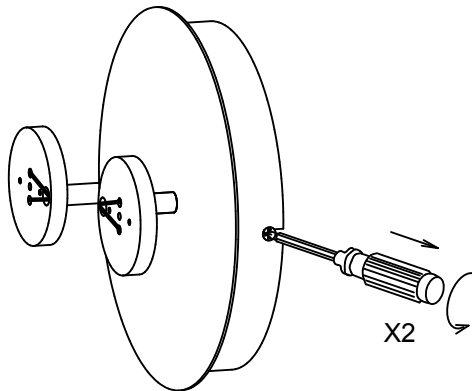
C.I.E.	9/9/9/8/8/8/8/7/7/7/7	LOR	99.99972 %
D DIN 5040	B11	ULOR	27.92087 %
F UTE	0.72 J + 0.28 T	DLOR	72.07886 %
B NBN	BZ 8 / 0.8 / BZ 7 / 2.5 / BZ 6	UFF	27.92094 %
RN	27.92094 %	DFF	72.07906 %
BLF	1.0	FFR	38.73655 %



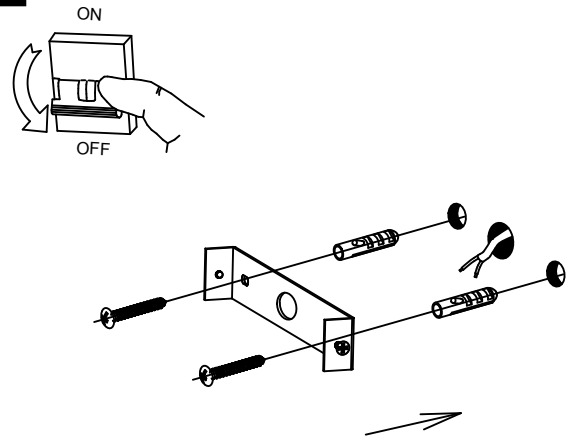
Zonal Flux				
Gamma °	Flux	Sum lm	Flux [%]	Sum [%]
0°	0.00	0.00	0.00%	0.00%
5°	2.30	2.30	0.23%	0.23%
10°	6.94	9.25	0.69%	0.92%
15°	11.71	20.96	1.17%	2.10%
20°	16.77	37.73	1.68%	3.77%
25°	22.28	60.01	2.23%	6.00%
30°	28.40	88.41	2.84%	8.84%
35°	35.16	123.57	3.52%	12.36%
40°	42.50	166.06	4.25%	16.61%
45°	50.27	216.33	5.03%	21.63%
50°	58.28	274.61	5.83%	27.46%
55°	65.83	340.44	6.58%	34.04%
60°	71.64	412.08	7.16%	41.21%
65°	74.13	486.21	7.41%	48.62%
70°	71.77	557.98	7.18%	55.80%
75°	63.36	621.35	6.34%	62.13%
80°	49.77	671.11	4.98%	67.11%
85°	32.69	703.80	3.27%	70.38%
90°	16.99	720.79	1.70%	72.08%
95°	11.64	732.43	1.16%	73.24%
100°	19.96	752.39	2.00%	75.24%
105°	35.82	788.21	3.58%	78.82%
110°	50.88	839.09	5.09%	83.91%
115°	56.83	895.92	5.68%	89.59%
120°	49.63	945.54	4.96%	94.55%
125°	31.75	977.30	3.18%	97.73%
130°	12.63	989.92	1.26%	98.99%
135°	3.84	993.76	0.38%	99.38%
140°	2.24	996.00	0.22%	99.60%
145°	1.34	997.34	0.13%	99.73%
150°	0.91	998.25	0.09%	99.83%
155°	0.68	998.93	0.07%	99.89%
160°	0.47	999.40	0.05%	99.94%
165°	0.28	999.68	0.03%	99.97%
170°	0.18	999.86	0.02%	99.99%
175°	0.11	999.96	0.01%	100.00%
180°	0.04	1000.00	0.00%	100.00%



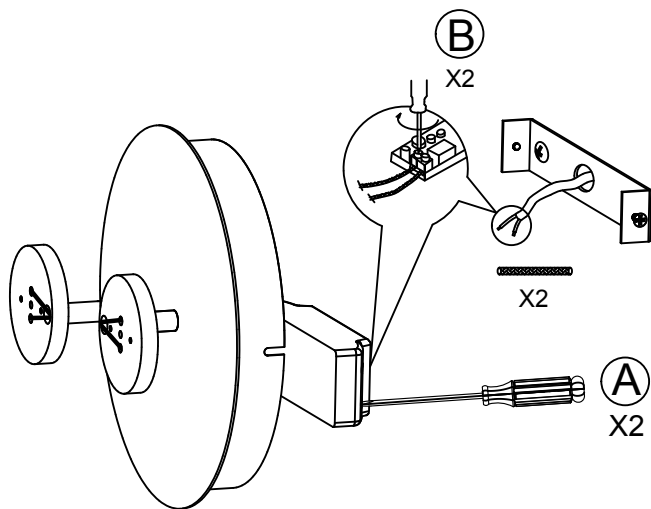
**1**



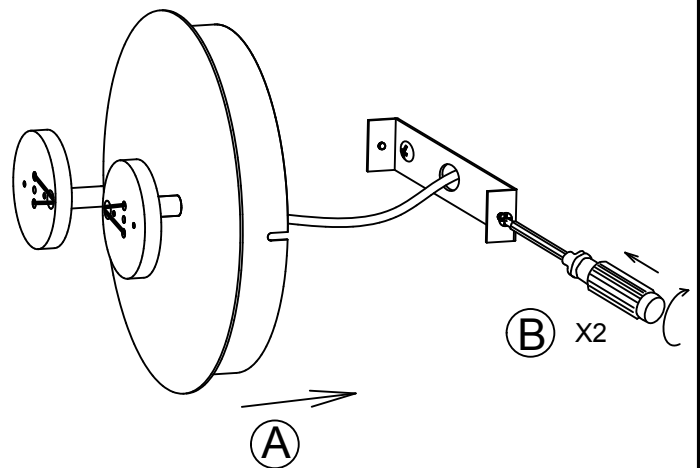
**2**



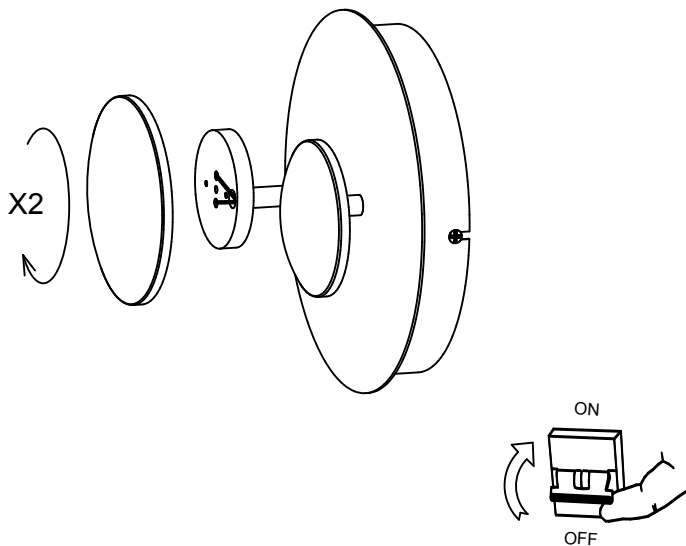
**3**



**4**



**5**



**6**

