

00-5456-14-05

V0

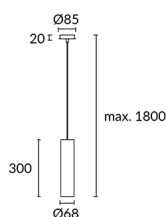


Pipe Pendant 300mm Suspension

Description

Suspension à usage intérieur pour éclairer vers le bas.

Idéal compositions « déco-tech ». Design minimaliste. Très polyvalent. Nombreuses installations. Très personnalisable : accessoires, finitions... Prix-rendement optimal. Confort visuel optimal. Double installation encastrée/surface. Installation facile. Collection complète avec produits complémentaires. Durabilité élevée pour usage intensif. Matière structure: Aluminium, Acier. Finition structure: Blanc, Noir. Garantie: 5 Ans.



Finition

Blanc
Noir

Matière

Aluminium
Acier



CARACTÉRISTIQUES TECHNIQUES

Source lumineuse

Douille : 1 x GU10
Puissance (W): MAX 50W
Consommation totale (W): 50
Quantité: 1

ÉQUIPEMENT

Facteur de puissance: 1.00

Luminaire

Garantie: 5 Ans

Logistique

Efficacité énergétique: LAMPE NON
INCLUDE
Code EAN: 8435381438876
Poids net (kg): 0.710
Poids en kg (emballé): 0.930
Boîte: 100 x 100 x 400
Masterbox: 12

ACCESSOIRES EN OPTION



71-0073-05-05

Accessoire anneau décoratif noir

Matière structure: Acier
Dimensions: 68 x NA x 20
Poids net (kg): 0.050



71-0073-14-14

Accessoire anneau décoratif blanc

Matière structure: Acier
Dimensions: 68 x NA x 20
Poids net (kg): 0.050



71-2232-14-14

Connecteur de rail

Matière structure: Polycarbonate
Dimensions: NA x NA x NA
Poids net (kg): 0.090



71-2232-60-60

Connecteur de rail trimless/trim

Matière structure: Polycarbonate
Dimensions: NA x NA x NA
Poids net (kg): 0.090



71-0073-Z5-Z5

Accessoire anneau décoratif anthracite

Matière structure: Acier
Dimensions: Ø68 x NA x 20
Poids net (kg): 0.050



71-0073-DL-DL

Accessoire anneau décoratif doré

Matière structure: Acier
Dimensions: Ø68 x NA x 20
Poids net (kg): 0.050



71-0073-J6-J6

Accessoire anneau décoratif marron

Matière structure: Acier
Dimensions: Ø68 x NA x 20
Poids net (kg): 0.050



71-5456-14-14V1

Accessoire d'encastrement de la base d'alimentation blanche

Matière structure: Aluminium
Dimensions: 97 x NA x NA
Poids net (kg): 0.100

Luminaire

Code 00-5456-14-05
 Name Colgante PIPE50W halogen GU10

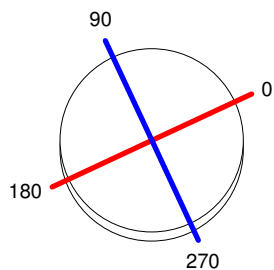
Measurement

Code 00-5456-14-05
 Name Colgante PIPE 50W halogen GU10

Luminaire Flux	302.40 lm	Luminaire Power	50.00 W	Efficacy	6.05 lm/W	Efficiency	81.73%
Lamps Flux	370.00 lm	Maximum value	696.38 cd	Position	C=0.00 G=0.00	CG	Double Symmetrical
Round Luminaire Round Luminous Area		Diam.	68 mm	Height	300 mm		
		Diam.	45 mm	Height	0 mm		
Horizontal Luminous Area	0.001590 m2			Emitting area on Plane 180°	0.000000 m2		
Emitting area on Plane 0°	0.000000 m2			Emitting area on Plane 270°	0.000000 m2		
Emitting area on Plane 90°	0.000000 m2			Glare area at 76°	0.000385 m2		
Coordinate system	CG			Symmetry Type	Double Symmetrical		
Date	11-02-2016			Maximum Gamma Angle	90		
Measurement Distance	0.00			Measurement Flux	370.00 lm		
Operator	Asselum T2			Source voltage			
Temperature	25.00 °C			Source current			
Humidity	60.00 %			Photocell			
Notes							

Line	Code	Luminaire Lamps		Flux [lm]	Pow. [W]	Q.ty
	64826FL	Name	64826FL - 50.00 W	370.00	50.00	1
C.I.E.	93 99 100 100 82	D DIN 5040		A60		
F UTE	0.82 A	B NBN		BZ 1		

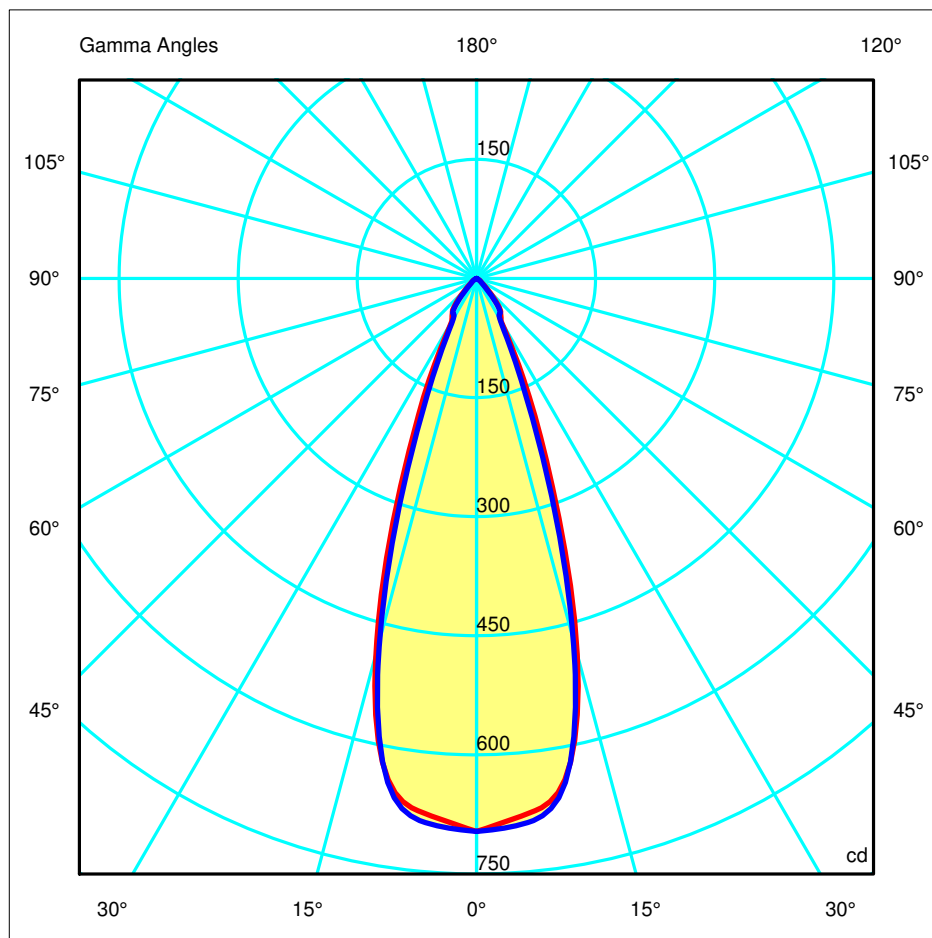
Diam=68mm



C Halfplanes

180.0 — 0.0
 270.0 — 90.0

ULOR 0.00 %
 DLOR 81.73 %
 RN 0.00 %



Luminaire

Code 00-5456-14-05
 Name Colgante PIPE50W halogen GU10

Measur.

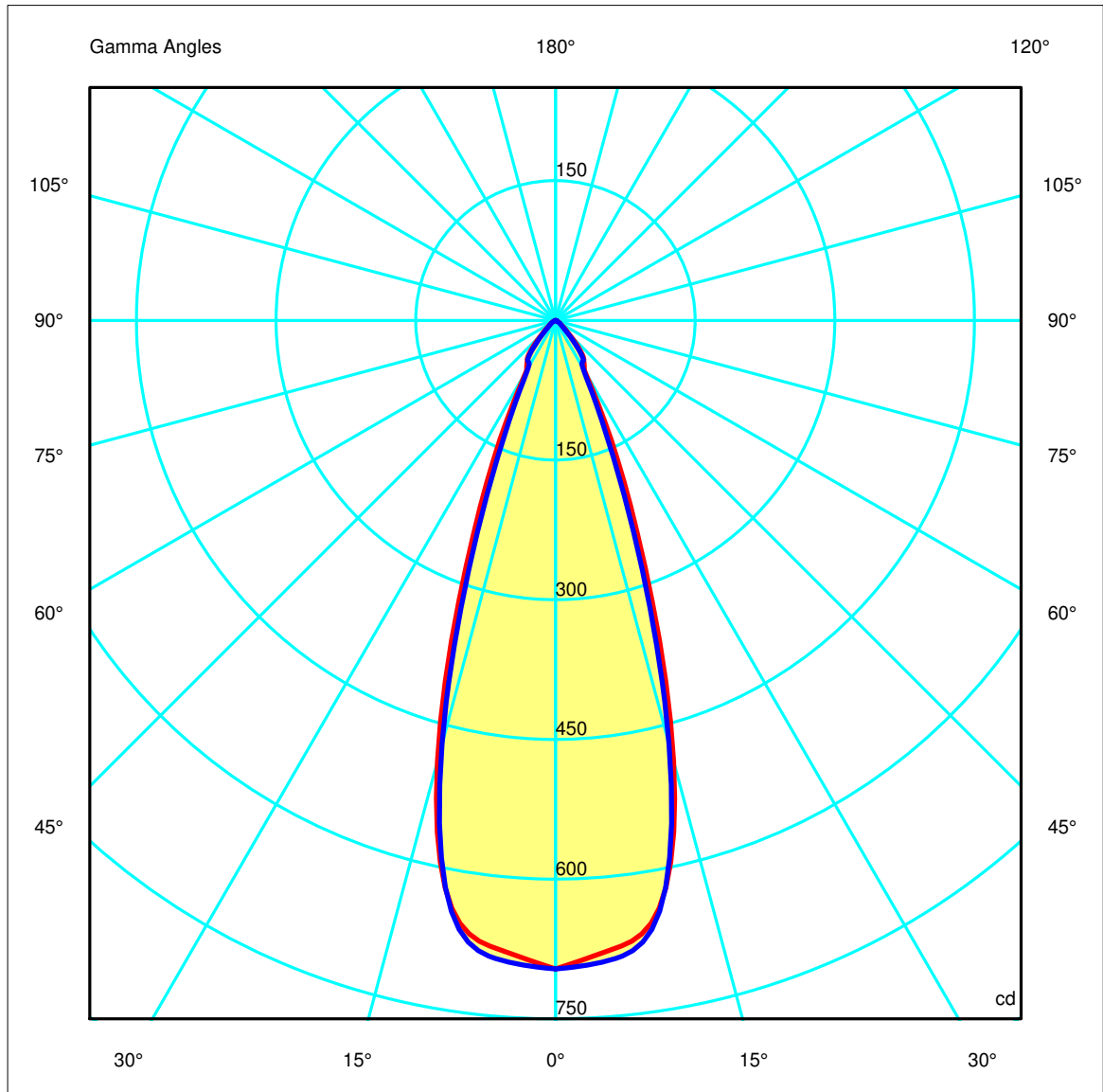
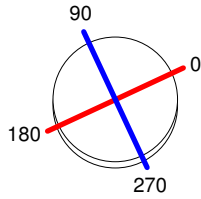
Code 00-5456-14-05
 Name Colgante PIPE 50W halogen GU10

Luminaire Flux	302.40 lm	Luminaire Power	50.00 W	Efficacy	6.05 lm/W	Efficiency	81.73%
Lamps Flux	370.00 lm	Maximum value	696.38 cd	Position	C=0.00 G=0.00	CG	Double Symmetrical

Diam=68mm

C Halfplanes

180.0 ——— 0.0
 270.0 ——— 90.0



Luminaire

 Code 00-5456-14-05
 Name Colgante PIPE50W halogen GU10

Measur.

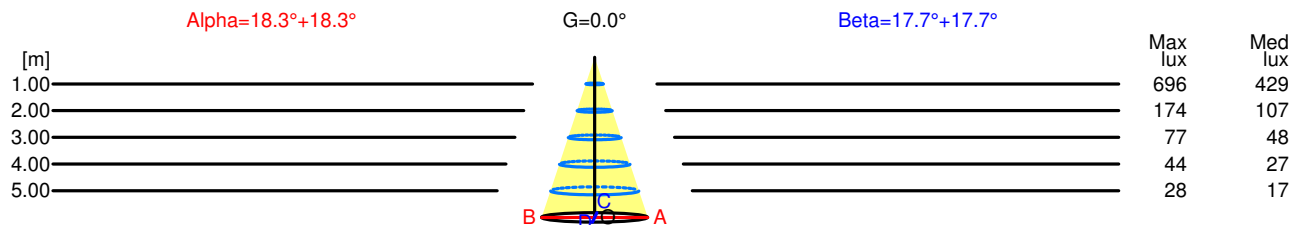
 Code 00-5456-14-05
 Name Colgante PIPE 50W halogen GU10

Luminaire Flux	302.40 lm	Luminaire Power	50.00 W	Efficacy	6.05 lm/W	Efficiency	81.73%
Lamps Flux	370.00 lm	Maximum value	696.38 cd	Position	C=0.00 G=0.00	CG	Double Symmetrical

Width at 50.00 % of Max Intensity

H[m]	1.00	2.00	3.00	4.00	5.00	H[m]	1.00	2.00	3.00	4.00	5.00
OA	0.33	0.66	0.99	1.32	1.65	OC	0.32	0.64	0.96	1.28	1.59
OB	0.33	0.66	0.99	1.32	1.65	OD	0.32	0.64	0.96	1.28	1.59

	Luminous Intensities [cd]									
	0	5	15	25	35	45	55	65	75	85
OA	696.38	678.58	490.10	141.30	52.90	20.26	6.34	1.67	0.53	0.22
OB	696.38	678.58	490.10	141.30	52.90	20.26	6.34	1.67	0.53	0.22
OC	696.38	689.05	471.25	115.96	52.22	14.89	5.89	1.49	0.51	0.22
OD	696.38	689.05	471.25	115.96	52.22	14.89	5.89	1.49	0.51	0.22



H[m]	D[m]	Max lux	Med lux	Alpha=18.3°+18.3°	G=0.0	
1.00	0.66	696	429			
2.00	1.32	174	107			
3.00	1.99	77	48			
4.00	2.65	44	27			
5.00	3.31	28	17			

H[m]	D[m]	Max lux	Med lux	Beta=17.7°+17.7°	G=0.0	
1.00	0.64	696	429			
2.00	1.28	174	107			
3.00	1.91	77	48			
4.00	2.55	44	27			
5.00	3.19	28	17			

Luminaire

Code 00-5456-14-05
 Name Colgante PIPE50W halogen GU10

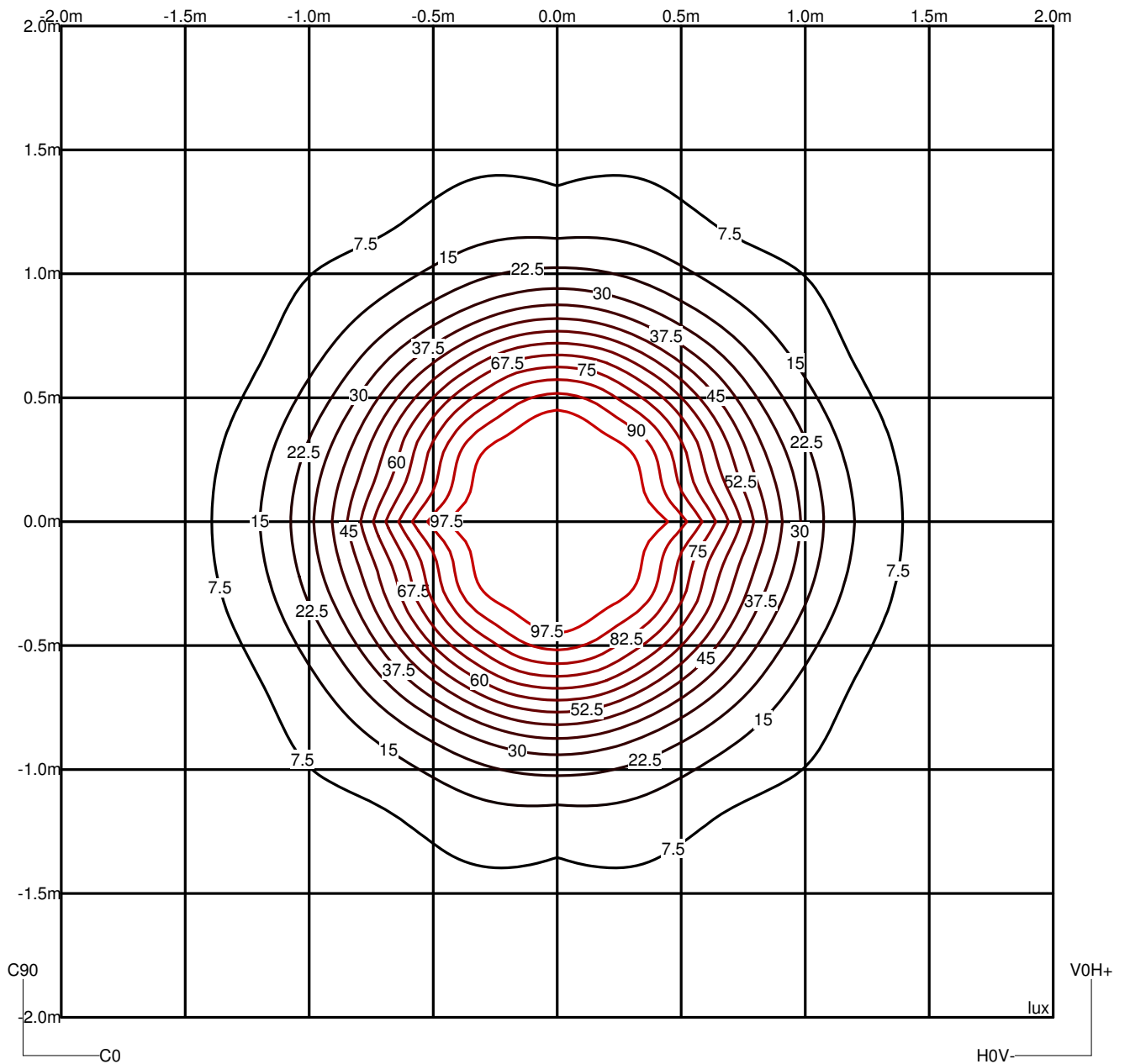
Measurement

Code 00-5456-14-05
 Name Colgante PIPE 50W halogen GU10

Luminaire Flux	302.40 lm	Luminaire Power	50.00 W	Efficacy	6.05 lm/W	Efficiency	81.73%
Lamps Flux	370.00 lm	Maximum value	696.38 cd	Position	C=0.00 G=0.00	CG	Double Symmetrical

Isolux (Floor)

Luminaire position X=0.00m Y=0.00m Z=2.50m



Luminaire

Code 00-5456-14-05
 Name Colgante PIPE50W halogen GU10

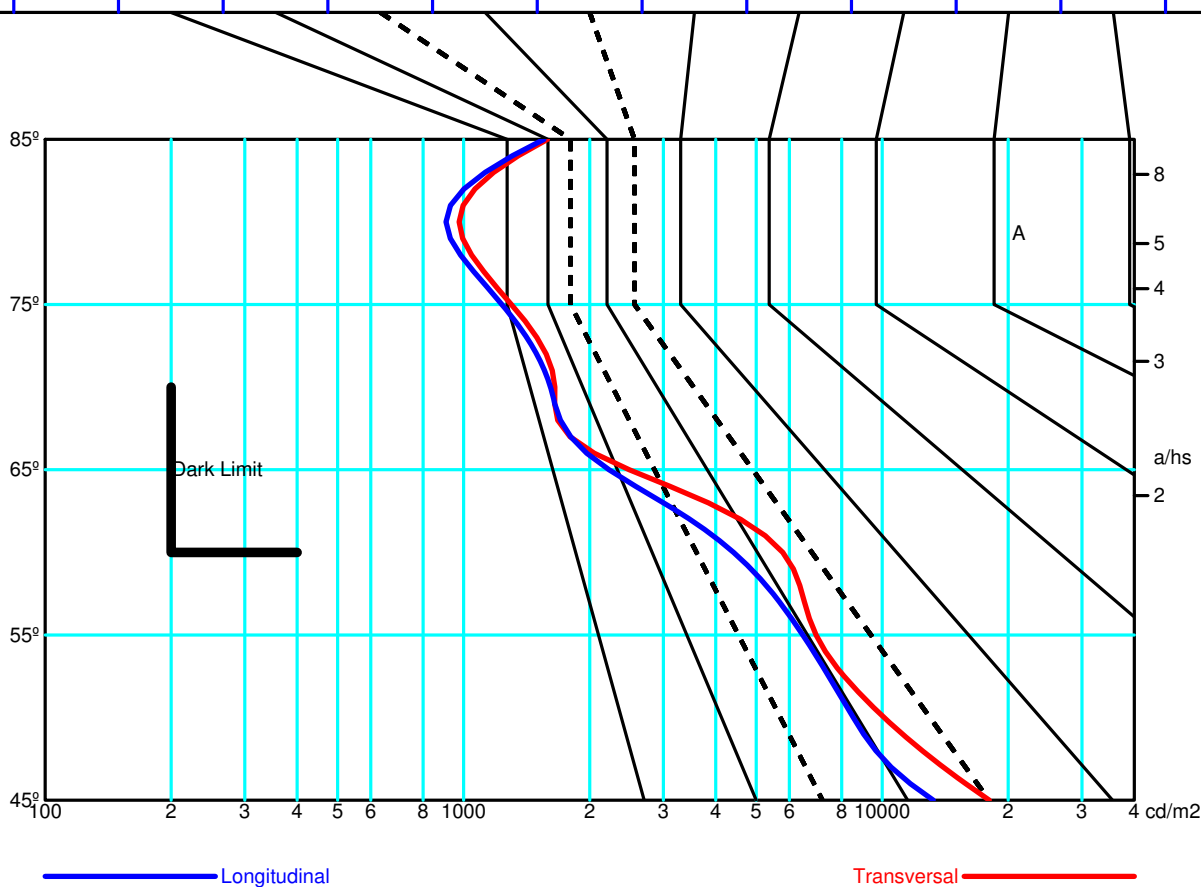
Measur.

Code 00-5456-14-05
 Name Colgante PIPE 50W halogen GU10

Luminaire Flux	302.40 lm	Luminaire Power	50.00 W	Efficacy	6.05 lm/W	Efficiency	81.73%
Lamps Flux	370.00 lm	Maximum value	696.38 cd	Position	C=0.00 G=0.00	CG	Double Symmetrical

	Average Luminance [cd/m ²]									
	45°	50°	55°	60°	65°	70°	75°	80°	85°	
0.0°	18020	10113	6947	5787	2485	1651	1300	975	1586	---
90.0°	13244	8532	6462	4414	2223	1611	1234	907	1555	---

Flush mounted or longitudinal view												
		Illumination(lx)										
A	A	2000	1000	750	500		<300					1.15
B	1		2000	1500	1000	750	500	<300				1.5
C					2000		1000	500	<300			1.85
D	2						2000	1000	500	<300		2.2
E	3							2000	1000	500	<300	2.55



Luminaire

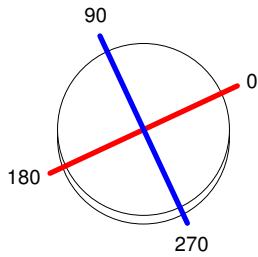
Code 00-5456-14-05
 Name Colgante PIPE50W halogen GU10

Measurem.

Code 00-5456-14-05
 Name Colgante PIPE 50W halogen GU10

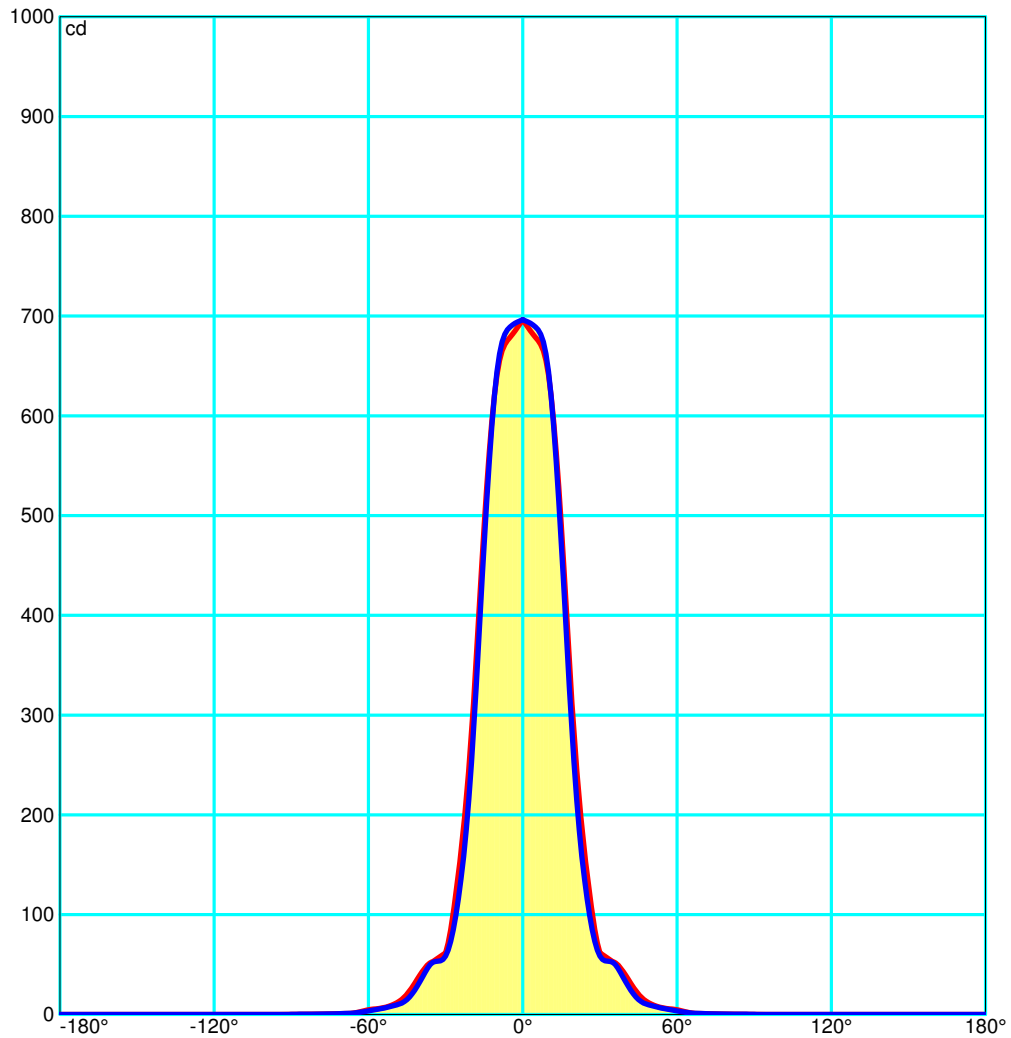
Luminaire Flux	302.40 lm	Luminaire Power	50.00 W	Efficacy	6.05 lm/W	Efficiency	81.73%
Lamps Flux	370.00 lm	Maximum value	696.38 cd	Position	C=0.00 G=0.00	CG	Double Symmetrical

Diam=68mm



C Halfplanes

180.0 ———— 0.0
 270.0 ———— 90.0



Luminaire

Code 00-5456-14-05
 Name Colgante PIPE50W halogen GU10

Measurement

Code 00-5456-14-05
 Name Colgante PIPE 50W halogen GU10

Luminaire Flux	302.40 lm	Luminaire Power	50.00 W	Efficacy	6.05 lm/W	Efficiency	81.73%
Lamps Flux	370.00 lm	Maximum value	696.38 cd	Position	C=0.00 G=0.00	CG	Double Symmetrical

UGR
 S = 0.250

Reflectancies										
Ceiling/Cavity	0.7	0.7	0.5	0.5	0.3	0.7	0.7	0.5	0.5	0.3
Walls	0.5	0.3	0.5	0.3	0.3	0.5	0.3	0.5	0.3	0.3
WorkingPlane	0.2	0.2	0.2	0.2	0.2	0.2	0.2	0.2	0.2	0.2
RoomDimensions	ViewedCrosswise					ViewedEndwise				
x=2H y=2H	15.1	15.8	15.3	16.0	16.2	15.1	15.9	15.4	16.1	16.2
x=2H y=3H	15.0	15.7	15.3	15.9	16.2	15.1	15.7	15.4	16.0	16.2
x=2H y=4H	15.0	15.6	15.3	15.8	16.2	15.1	15.7	15.4	15.9	16.2
x=2H y=6H	14.9	15.5	15.2	15.8	16.1	15.0	15.6	15.3	15.8	16.1
x=2H y=8H	14.9	15.4	15.2	15.7	16.1	15.0	15.5	15.3	15.8	16.1
x=2H y=12H	14.9	15.4	15.2	15.7	16.1	14.9	15.5	15.3	15.8	16.1
x=4H y=2H	15.0	15.6	15.3	15.9	16.2	15.1	15.7	15.4	15.9	16.2
x=4H y=3H	15.0	15.5	15.3	15.8	16.2	15.0	15.6	15.4	15.9	16.2
x=4H y=4H	15.0	15.4	15.3	15.7	16.1	15.0	15.5	15.4	15.8	16.1
x=4H y=6H	14.9	15.3	15.3	15.6	16.1	15.0	15.3	15.4	15.7	16.1
x=4H y=8H	14.9	15.2	15.3	15.6	16.1	15.0	15.3	15.4	15.7	16.1
x=4H y=12H	14.9	15.2	15.3	15.5	16.0	14.9	15.2	15.4	15.6	16.0
x=8H y=4H	14.9	15.2	15.3	15.6	16.0	14.9	15.3	15.3	15.6	16.0
x=8H y=6H	14.8	15.1	15.3	15.5	16.0	14.9	15.1	15.3	15.6	16.0
x=8H y=8H	14.8	15.0	15.3	15.4	16.0	14.9	15.1	15.4	15.5	16.0
x=8H y=12H	14.8	15.0	15.3	15.4	16.0	14.9	15.0	15.3	15.5	16.0
x=12H y=4H	14.8	15.1	15.3	15.5	16.0	14.9	15.2	15.3	15.6	16.0
x=12H y=6H	14.8	15.0	15.3	15.4	16.0	14.9	15.1	15.3	15.5	16.0
x=12H y=8H	14.8	14.9	15.2	15.4	16.0	14.8	15.0	15.3	15.5	16.0

Luminaire

 Code 00-5456-14-05
 Name Colgante PIPE50W halogen GU10

Measuram.

 Code 00-5456-14-05
 Name Colgante PIPE 50W halogen GU10

Luminaire Flux	302.40 lm	Luminaire Power	50.00 W	Efficacy	6.05 lm/W	Efficiency	81.73%
Lamps Flux	370.00 lm	Maximum value	696.38 cd	Position	C=0.00 G=0.00	CG	Double Symmetrical

Total Flux=370.00 Luminaire Flux=302.40

RI	0.60	0.80	1.00	1.25	1.50	2.00	2.50	3.00	4.00	5.00	10.00	20.00
DRR	0.68	0.73	0.79	0.83	0.86	0.90	0.94	0.96	0.98	0.99	1.01	1.01
RC	-	-	-	-	-	-	-	-	-	-	-	-

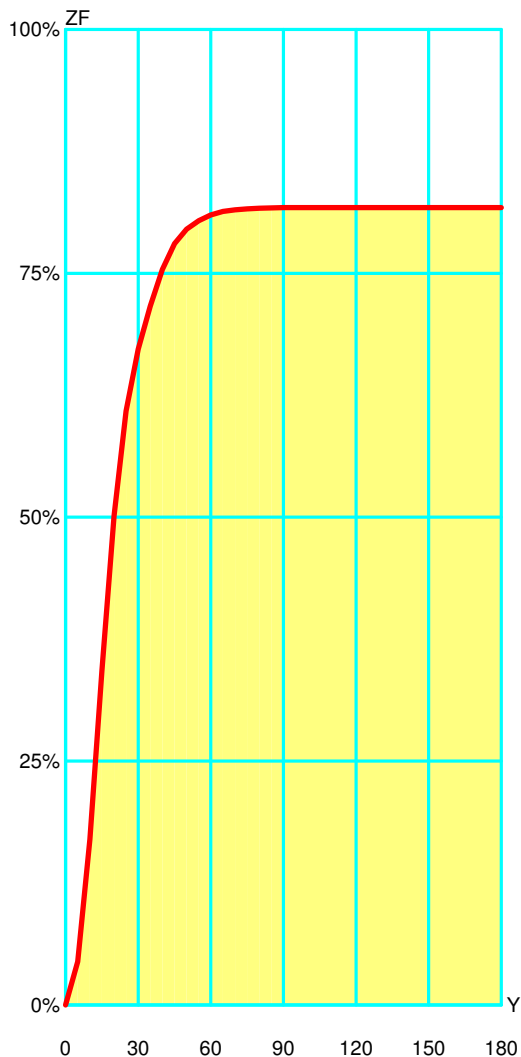
Zonal Flux per 1000 Lumen

Y°	10	20	30	40	50	60	70	80	90	100	110	120	130	140	150	160	170	180
ZF(Y)	170	501	672	754	795	810	815	817	817	817	817	817	817	817	817	817	817	817

CIE Flux Codes

93 99 100 100 82

C.I.E.	-/-/-/-/-/-/-/-/-/-	LOR	81.73043 %
D DIN 5040	A60	ULOR	0.00000 %
F UTE	0.82 A	DLOR	81.73043 %
B NBN	BZ 1	UFF	0.00000 %
RN	0.00000 %	DFF	100.00000 %
BLF	1.0	FFR	0.00000 %



Gamma °	Zonal Flux			
	Flux	Sum lm	Flux [%]	Sum [%]
0°	0.00	0.00	0.00%	0.00 %
5°	44.39	44.39	5.43 %	5.43 %
10°	125.39	169.78	15.34 %	20.77 %
15°	172.67	342.46	21.13 %	41.90 %
20°	158.86	501.31	19.44 %	61.34 %
25°	107.55	608.86	13.16 %	74.50 %
30°	63.46	672.32	7.76 %	82.26 %
35°	43.96	716.28	5.38 %	87.64 %
40°	37.70	753.97	4.61 %	92.25 %
45°	26.44	780.42	3.24 %	95.49 %
50°	14.77	795.19	1.81 %	97.29 %
55°	8.70	803.88	1.06 %	98.36 %
60°	6.00	809.88	0.73 %	99.09 %
65°	3.52	813.40	0.43 %	99.52 %
70°	1.73	815.13	0.21 %	99.73 %
75°	0.98	816.11	0.12 %	99.85 %
80°	0.55	816.66	0.07 %	99.92 %
85°	0.35	817.01	0.04 %	99.96 %
90°	0.29	817.30	0.04 %	100.00 %
95°	0.00	817.30	0.00 %	100.00 %
100°	0.00	817.30	0.00 %	100.00 %
105°	0.00	817.30	0.00 %	100.00 %
110°	0.00	817.30	0.00 %	100.00 %
115°	0.00	817.30	0.00 %	100.00 %
120°	0.00	817.30	0.00 %	100.00 %
125°	0.00	817.30	0.00 %	100.00 %
130°	0.00	817.30	0.00 %	100.00 %
135°	0.00	817.30	0.00 %	100.00 %
140°	0.00	817.30	0.00 %	100.00 %
145°	0.00	817.30	0.00 %	100.00 %
150°	0.00	817.30	0.00 %	100.00 %
155°	0.00	817.30	0.00 %	100.00 %
160°	0.00	817.30	0.00 %	100.00 %
165°	0.00	817.30	0.00 %	100.00 %
170°	0.00	817.30	0.00 %	100.00 %
175°	0.00	817.30	0.00 %	100.00 %
180°	0.00	817.30	0.00 %	100.00 %

Luminaire

Code 00-5456-14-05
 Name Colgante PIPE50W halogen GU10

Measurum.

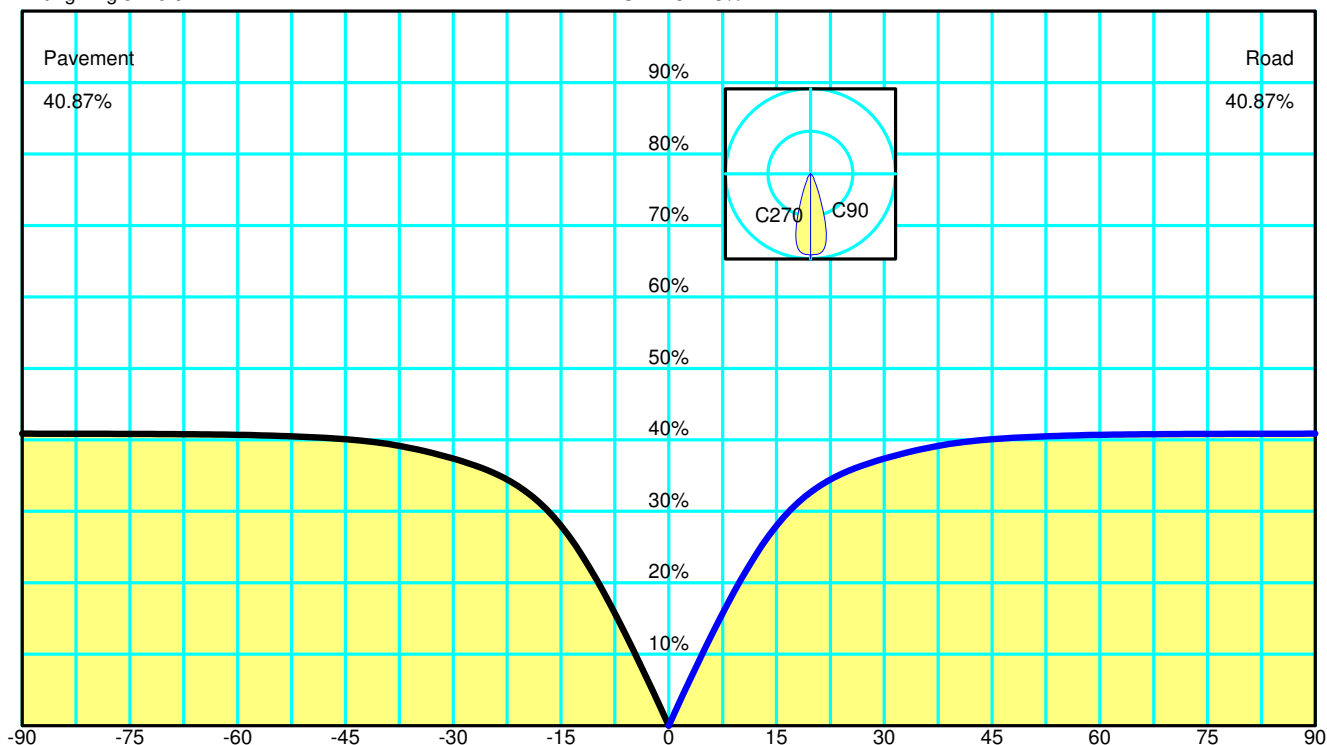
Code 00-5456-14-05
 Name Colgante PIPE 50W halogen GU10

Luminaire Flux	302.40 lm	Luminaire Power	50.00 W	Efficacy	6.05 lm/W	Efficiency	81.73%
Lamps Flux	370.00 lm	Maximum value	696.38 cd	Position	C=0.00 G=0.00	CG	Double Symmetrical

Pavement			Road		
Piano	0	0.00%	Piano	0	0.00%
Piano	-5	10.70%	Piano	5	10.70%
Piano	-10	20.37%	Piano	10	20.37%
Piano	-15	27.98%	Piano	15	27.98%
Piano	-20	32.85%	Piano	20	32.85%
Piano	-25	35.65%	Piano	25	35.65%
Piano	-30	37.38%	Piano	30	37.38%
Piano	-35	38.65%	Piano	35	38.65%
Piano	-40	39.55%	Piano	40	39.55%
Piano	-45	40.08%	Piano	45	40.08%
Piano	-50	40.38%	Piano	50	40.38%
Piano	-55	40.58%	Piano	55	40.58%
Piano	-60	40.70%	Piano	60	40.70%
Piano	-65	40.77%	Piano	65	40.77%
Piano	-70	40.81%	Piano	70	40.81%
Piano	-75	40.83%	Piano	75	40.83%
Piano	-80	40.84%	Piano	80	40.84%
Piano	-85	40.86%	Piano	85	40.86%
Piano	-90	40.87%	Piano	90	40.87%

Tilting Angle = 0.0

DLOR = 81.73%



Spread	10.7° Narrow	DLOR	81.73043 %
Throw	5.4° Short	ULOR	0.00000 %
SLI (glare)	11.8 Tight	Efficiency	81.73043 %
CIE Cutoff	Cutoff - Max: C=0.0° Gamma=0.0°	RN	0.00000 %
lesna Cutoff	Cutoff	Luminous Intensity Class	G5
DIN5044	KB1	Glare Index	D6

IESNA Type V Very Short Quadrilateral Symmetry

Luminaire

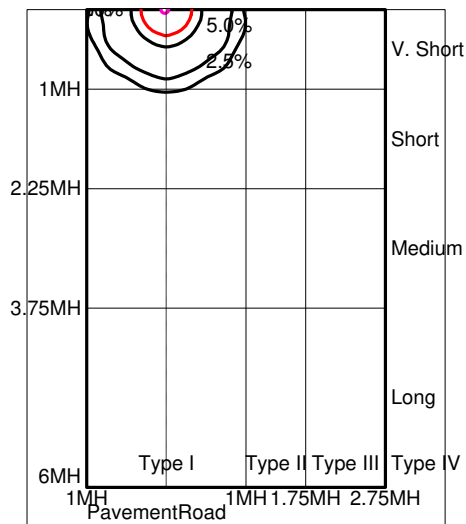
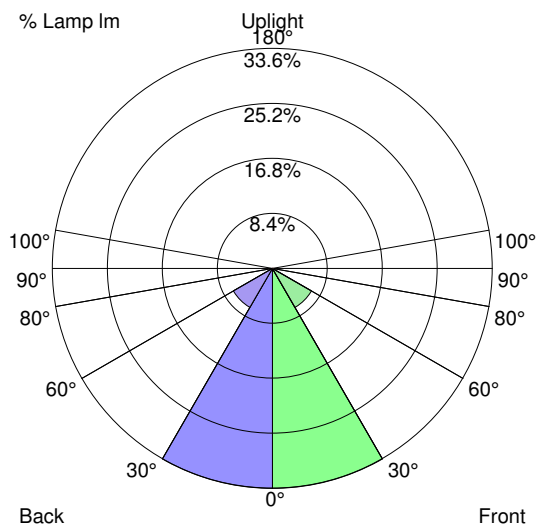
 Code 00-5456-14-05
 Name Colgante PIPE50W halogen GU10

Measurerm.

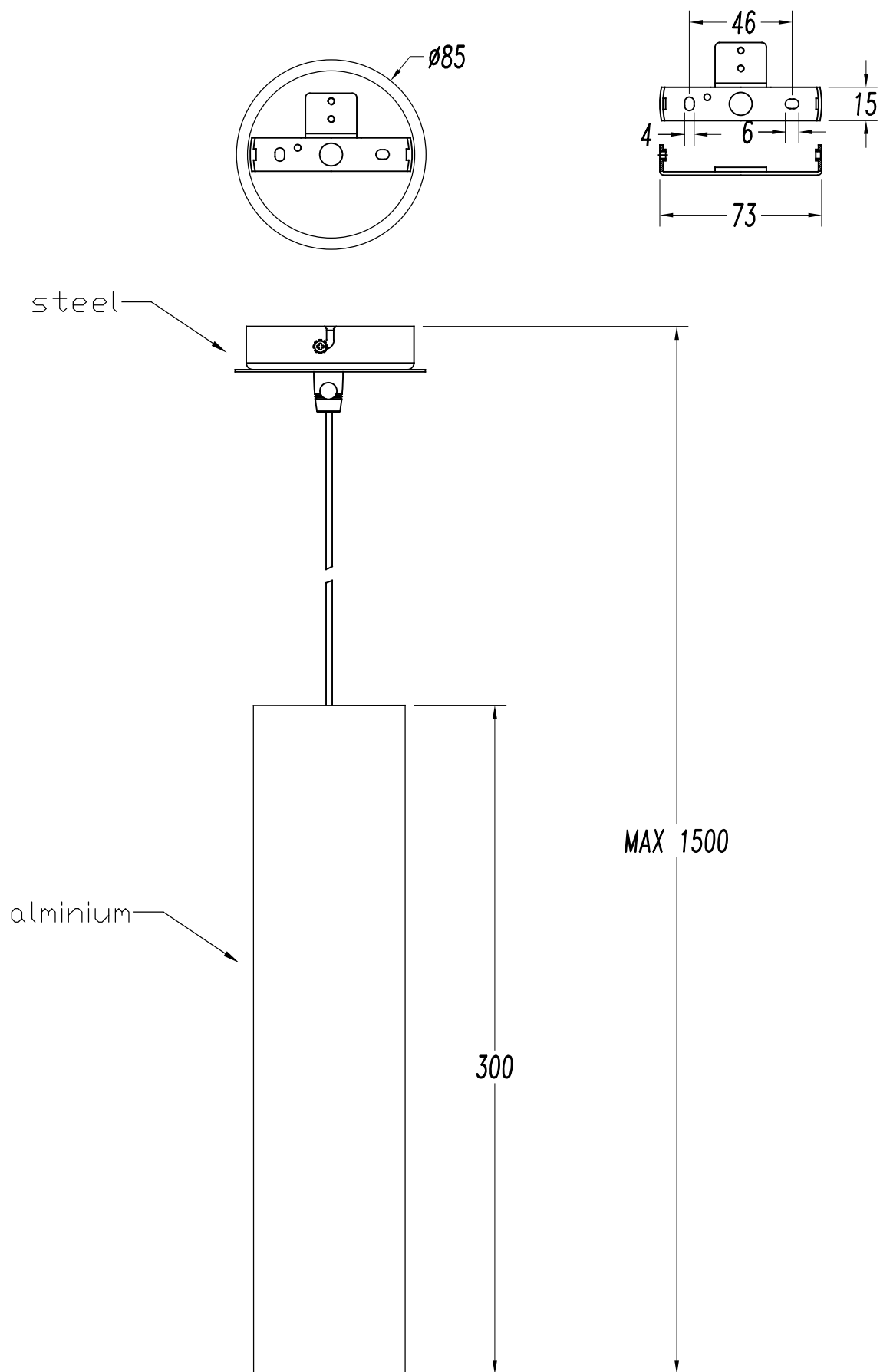
 Code 00-5456-14-05
 Name Colgante PIPE 50W halogen GU10

Luminaire Flux	302.40 lm	Luminaire Power	50.00 W	Efficacy	6.05 lm/W	Efficiency	81.73%
Lamps Flux	370.00 lm	Maximum value	696.38 cd	Position	C=0.00 G=0.00	CG	Double Symmetrical

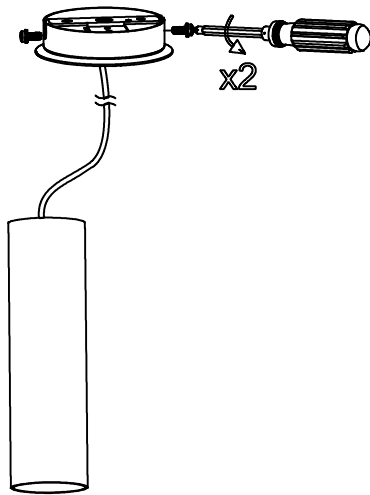
US ROAD STANDARDS



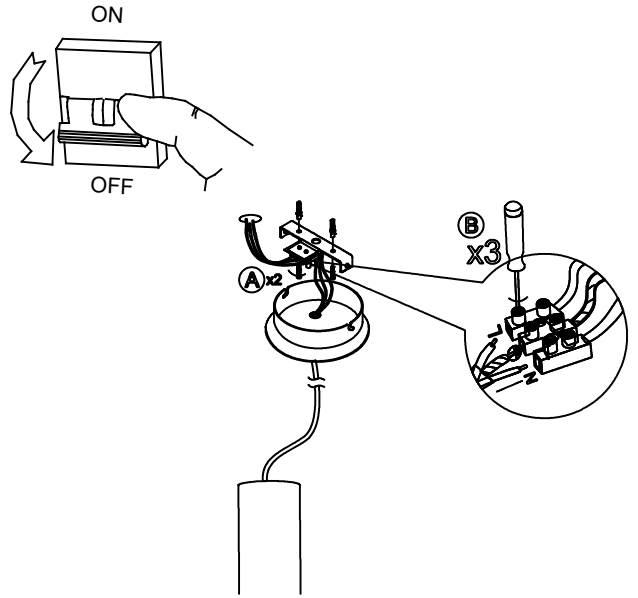
Luminaire Classification System (LCS)				
LCS Zone		Lumens	%Lamp	%Lum
FL	0° -- 30°	124.4 lm	33.6 %	41.1 %
FM	30° -- 60°	25.5 lm	6.9 %	8.4 %
FH	60° -- 80°	1.2 lm	0.3 %	0.4 %
FVH	80° -- 90°	0.1 lm	0.0 %	0.0 %
BL	0° -- 30°	124.4 lm	33.6 %	41.1 %
BM	30° -- 60°	25.5 lm	6.9 %	8.4 %
BH	60° -- 80°	1.2 lm	0.3 %	0.4 %
BVH	80° -- 90°	0.1 lm	0.0 %	0.0 %
UL	90° -- 100°	0.0 lm	0.0 %	0.0 %
UH	100° -- 180°	0.0 lm	0.0 %	0.0 %
TOTALS		302.4 lm	81.7 %	100.0 %
BUG B1 U0 G0		Type V Very Short	Quadrilateral Symmetry	



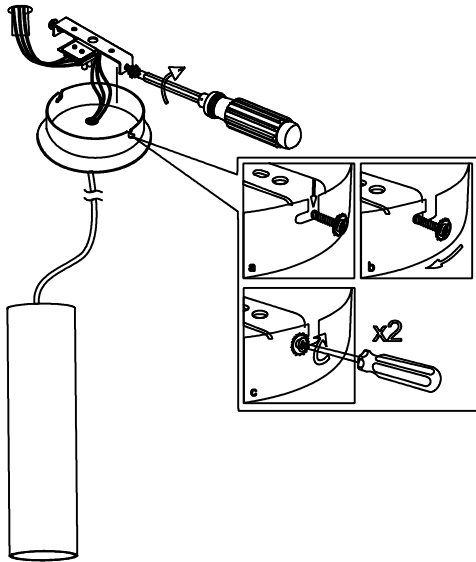
1



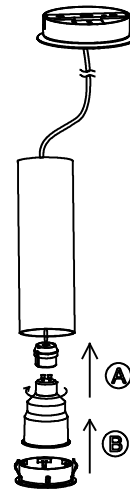
2



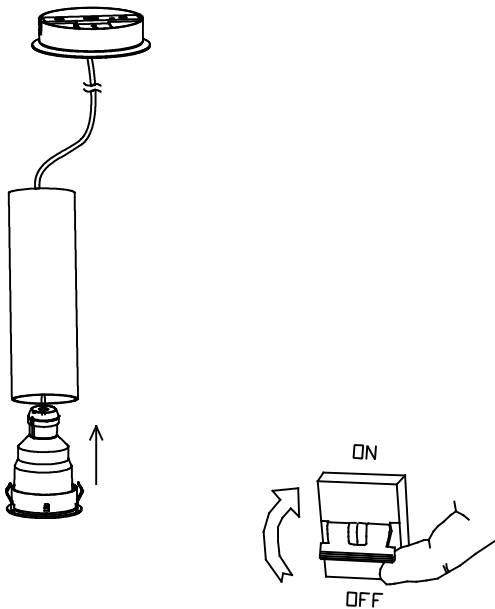
3



4



5



6

