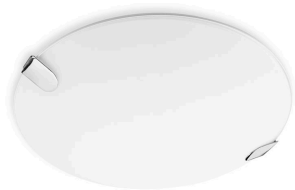


## CLIP Plafonnier

**Description**

Plafonnier à usage intérieur pour éclairer vers le bas.

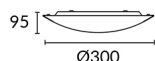
Design de G. Bernal. Sans vis apparentes. Prix-rendement optimal. Installation facile. Matière structure: Acier. Finition structure: Chrome. Finitions pale: NA. Matière diffuseur: Verre. Finition diffuseur: Satiné. Garantie: 5 Ans.

**Finition**

Chrome  
Satiné  
NA

**Matière**

Acier  
Verre

**CARACTÉRISTIQUES TECHNIQUES****Source lumineuse**

Source lumineuse: LED REFOND  
Puissance (W): 12.8W  
Consommation totale (W): 14.5  
Température de couleur: Blanc chaud -  
3 000 K  
CRI: 80  
Risque photobiologique: RG0  
Lumens réels: 723  
Nbr de LED: 70  
Lm/W réels: 50  
Durée de vie: 36.000h L70B30  
Bin / Grup: 30M  
MacAdam steps: 3  
Facteur UGR: 14.6

**ÉQUIPEMENT**

Marque: EAGLERISE  
Équipement compris: Oui, électronique  
Tension / Fréquence:  
100-240VAC/50-60Hz  
Facteur de puissance: 0.94

**Luminaire**

Garantie: 5 Ans

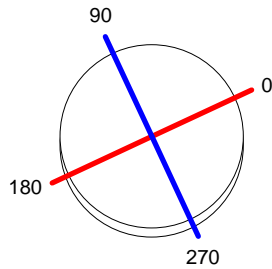
**Logistique**

Efficacité énergétique: LED A++  
Code EAN: 8435381404529  
Poids net (kg): 1.360  
Poids en kg (emballé): 1.850  
Boîte: 355 x 155 x 355  
Masterbox: 4

<b>Luminaire</b>		<b>Measur.</b>		<b>Lamp</b>	
Code	15-1521-21-E9	Code	15-1521-21-E9	Code	15-1521-21-E9
Name	Plafon CLIP leds 14W dif. opal	Name	Plafon CLIP leds 14W Cromo	Number	1
Line	- LEDS C4 LEDS	Date	18-12-2013	Position	Universal
Efficiency	100.00%	Coordinate system	CG	Total Flux	722.72 lm
Maximum value	219.22 cd	Position	C=0.00 G=0.00	Double Symmetrical	
Round Luminaire	Diam.	300 mm	Height	95 mm	
Round Luminous Area	Diam.	300 mm	Height	65 mm	
Horizontal Luminous Area	0.070686 m2	Emitting area on Plane 180°	0.019500 m2		
Emitting area on Plane 0°	0.019500 m2	Emitting area on Plane 270°	0.019500 m2		
Emitting area on Plane 90°	0.019500 m2	Glare area at 76°	0.036021 m2		
Symmetry Type	Double Symmetrical	Maximum Gamma Angle	180		
Measurement Distance	6.44	Measurement Flux	722.72 lm		
Operator	Asselum T2	Source voltage	230.00 V		
Temperature	20.00 °C	Source current			
Humidity	48.00 %	Photocell	PRC		
Notes					

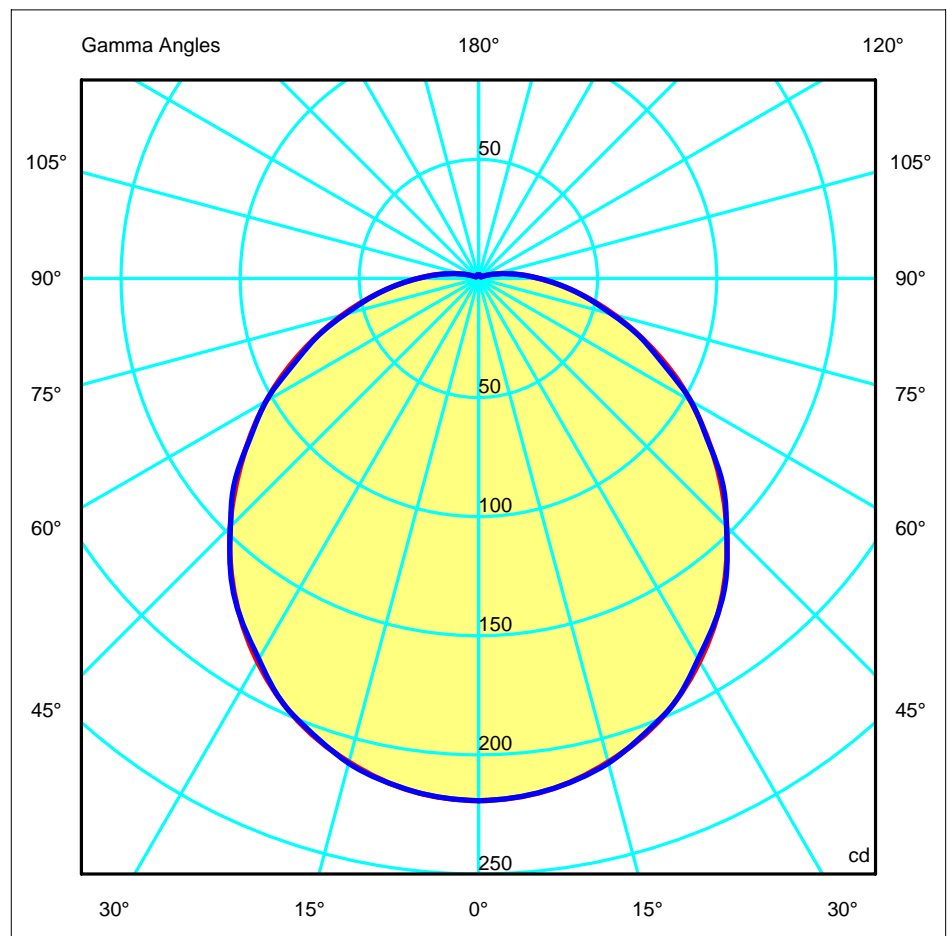
Luminaire Lamps					
Line	Code	Name	Flux [lm]	Pow. [W]	Q.ty
- LEDS C4 LEDS	15-1521-21-E9	Lámpara leds 14W	722.72	14.00	1
C.I.E.	43 73 91 95 100	D DIN 5040		A31	
F UTE	0.95 G + 0.05 T	B NBN		BZ 5	

Diam=300mm



C Halfplanes  
 180.0 — 0.0  
 270.0 — 90.0

ULOR 4.88 %  
 DLOR 95.12 %  
 RN 4.88 %



<b>Luminaire</b>		<b>Measur.</b>		<b>Lamp</b>	
Code	15-1521-21-E9	Code	15-1521-21-E9	Code	15-1521-21-E9
Name	Plafon CLIP leds 14W dif. opal	Name	Plafon CLIP leds 14W Cromo	Number	1
Line	- LEDS C4 LEDS	Date	18-12-2013	Position	Universal

Efficiency	100.00%	Coordinate system	CG	Total Flux	722.72 lm
------------	---------	-------------------	----	------------	-----------

	Luminous Intensity Table cd				Table 1/1			
	C 0.00	C 15.00	C 30.00	C 45.00	C 60.00	C 75.00	C 90.00	
G 0.0	219.22	219.22	219.22	219.22	219.22	219.22	219.22	
G 5.0	218.17	218.25	218.42	218.26	218.22	218.22	218.10	
G 10.0	215.15	215.27	215.90	215.38	215.39	215.40	215.16	
G 15.0	210.08	210.22	211.05	210.27	210.33	210.50	210.69	
G 20.0	203.95	203.93	204.77	204.13	203.79	203.65	203.39	
G 25.0	195.75	195.30	196.23	194.79	195.30	195.19	195.74	
G 30.0	185.66	185.64	187.29	185.63	185.70	185.41	184.43	
G 35.0	174.15	174.33	174.64	174.24	173.64	173.91	174.04	
G 40.0	161.43	161.34	163.28	161.27	161.36	161.29	161.90	
G 45.0	147.43	147.40	150.14	147.53	148.19	147.84	147.16	
G 50.0	132.44	132.60	134.80	132.59	132.43	132.38	133.78	
G 55.0	117.50	118.15	120.15	118.71	117.82	117.65	117.07	
G 60.0	102.90	102.47	104.03	101.48	102.39	102.21	102.93	
G 65.0	87.98	87.53	89.98	87.62	87.54	86.84	85.95	
G 70.0	72.89	73.00	73.55	72.38	71.97	71.98	72.45	
G 75.0	59.19	58.93	60.90	58.73	58.60	58.46	58.00	
G 80.0	46.39	46.26	47.98	45.89	45.91	45.66	45.79	
G 85.0	35.07	35.01	36.42	34.67	34.74	34.50	35.70	
G 90.0	25.60	25.50	27.05	25.82	25.53	25.35	25.05	
G 95.0	18.05	17.92	18.62	17.44	17.39	17.43	17.94	
G100.0	11.91	11.99	12.78	11.87	11.84	11.47	11.31	
G105.0	7.61	7.53	7.77	7.00	7.19	7.03	7.28	
G110.0	4.52	4.47	4.88	4.37	4.33	4.22	4.07	
G115.0	2.61	2.57	2.79	2.57	2.49	2.45	2.45	
G120.0	1.61	1.61	1.73	1.62	1.63	1.53	1.56	
G125.0	1.19	1.19	1.25	1.21	1.26	1.21	1.21	
G130.0	1.19	1.21	1.19	1.20	1.21	1.21	1.20	
G135.0	1.25	1.25	1.23	1.26	1.26	1.26	1.26	
G140.0	1.31	1.31	1.30	1.31	1.33	1.32	1.32	
G145.0	1.34	1.36	1.34	1.37	1.37	1.38	1.39	
G150.0	1.40	1.39	1.39	1.42	1.44	1.44	1.43	
G155.0	1.44	1.44	1.43	1.49	1.49	1.49	1.49	
G160.0	1.52	1.51	1.50	1.53	1.55	1.54	1.53	
G165.0	1.52	1.54	1.57	1.58	1.59	1.59	1.57	
G170.0	1.50	1.51	1.56	1.57	1.61	1.61	1.61	
G175.0	1.52	1.53	1.54	1.55	1.56	1.56	1.58	
G180.0	1.54	1.54	1.55	1.57	1.57	1.57	1.57	

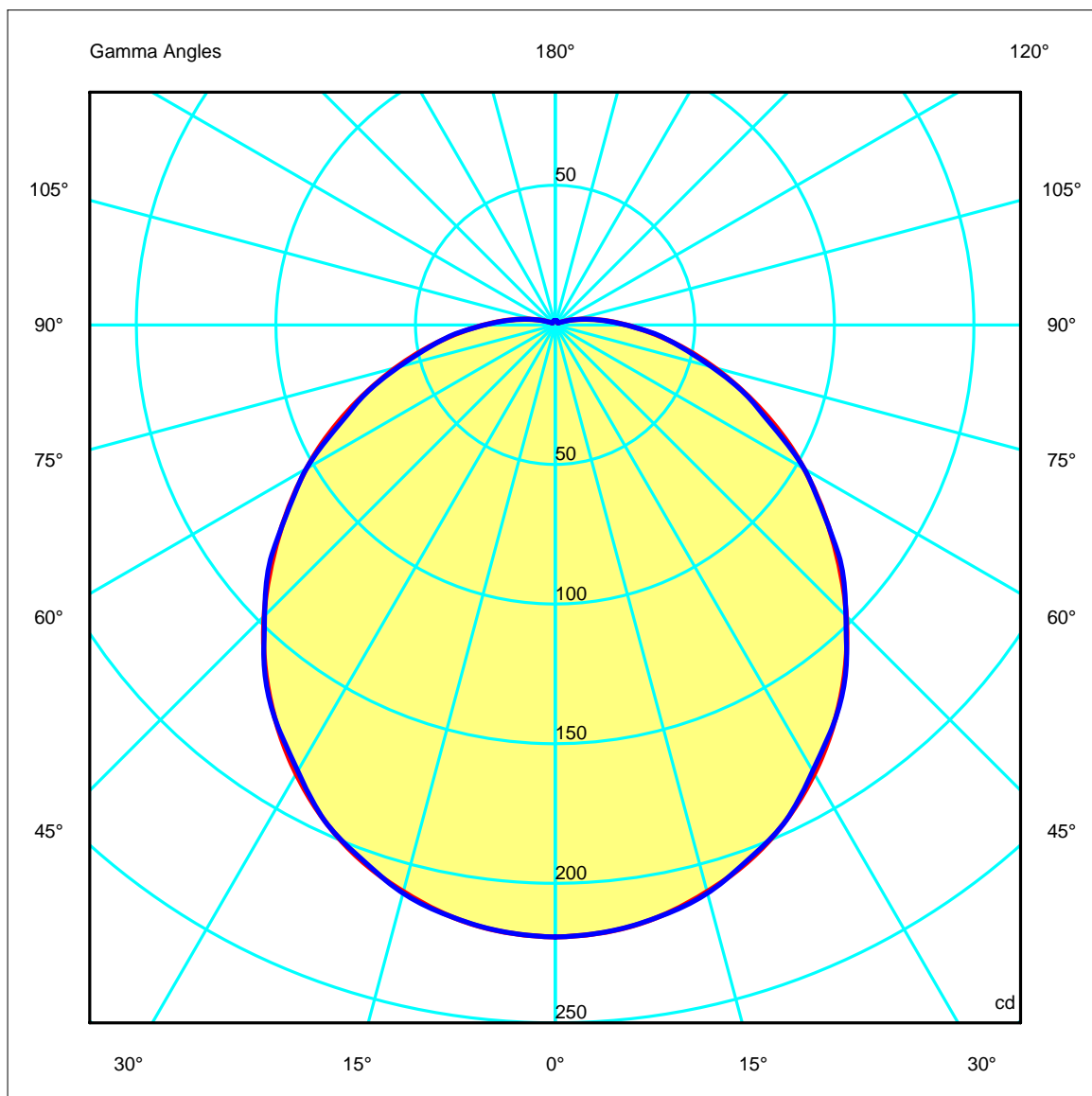
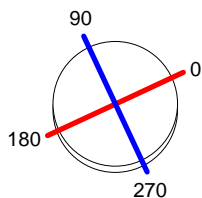
<b>Luminaire</b>		<b>Measur.</b>		<b>Lamp</b>	
Code	15-1521-21-E9	Code	15-1521-21-E9	Code	15-1521-21-E9
Name	Plafon CLIP leds 14W dif. opal	Name	Plafon CLIP leds 14W Cromo	Number	1
Line	- LEDS C4 LEDS	Date	18-12-2013	Position	Universal
Efficiency	100.00%	Coordinate system	CG	Total Flux	722.72 lm

Diam=300mm

C Halfplanes

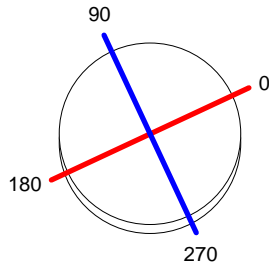
180.0 ————— 0.0

270.0 ————— 90.0

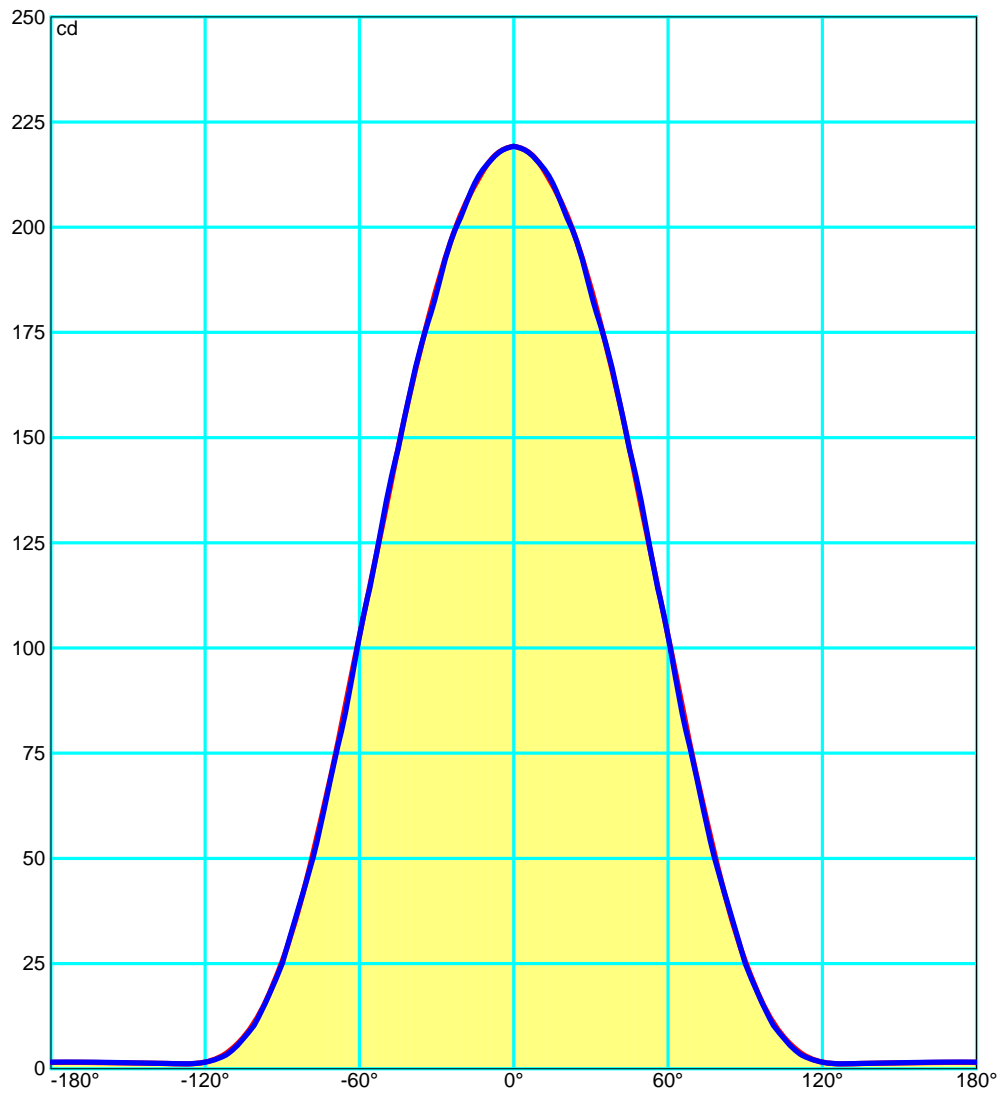
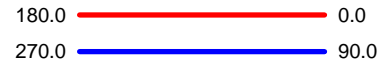


Luminaire		Measur.		Lamp	
Code	15-1521-21-E9	Code	15-1521-21-E9	Code	15-1521-21-E9
Name	Plafon CLIP leds 14W dif. opal	Name	Plafon CLIP leds 14W Cromo	Number	1
Line	- LEDS C4 LEDS	Date	18-12-2013	Position	Universal
Efficiency	100.00%	Coordinate system	CG	Total Flux	722.72 lm

Diam=300mm



C Halfplanes



<b>Luminaire</b>		<b>Measur.</b>		<b>Lamp</b>	
Code	15-1521-21-E9	Code	15-1521-21-E9	Code	15-1521-21-E9
Name	Plafon CLIP leds 14W dif. opal	Name	Plafon CLIP leds 14W Cromo	Number	1
Line	- LEDS C4 LEDS	Date	18-12-2013	Position	Universal
Efficiency	100.00%	Coordinate system	CG	Total Flux	722.72 lm

**UGR**  
S = 0.250

Reflectancies										
Ceiling/Cavity	0.7	0.7	0.5	0.5	0.3	0.7	0.7	0.5	0.5	0.3
Walls	0.5	0.3	0.5	0.3	0.3	0.5	0.3	0.5	0.3	0.3
WorkingPlane	0.2	0.2	0.2	0.2	0.2	0.2	0.2	0.2	0.2	0.2
RoomDimensions	ViewedCrosswise					ViewedEndwise				
x=2H y=2H	14.6	15.9	15.0	16.2	16.6	14.6	15.9	14.9	16.2	16.6
x=2H y=3H	16.3	17.5	16.7	17.8	18.1	16.2	17.4	16.6	17.8	18.1
x=2H y=4H	17.0	18.2	17.5	18.5	18.9	17.0	18.1	17.4	18.5	18.9
x=2H y=6H	17.7	18.8	18.2	19.2	19.5	17.6	18.7	18.1	19.1	19.5
x=2H y=8H	18.0	19.0	18.5	19.4	19.8	17.9	19.0	18.4	19.4	19.8
x=2H y=12H	18.3	19.3	18.7	19.7	20.1	18.2	19.2	18.7	19.6	20.1
x=4H y=2H	15.3	16.5	15.8	16.9	17.2	15.3	16.5	15.7	16.8	17.2
x=4H y=3H	17.2	18.2	17.7	18.6	19.0	17.2	18.1	17.6	18.6	19.0
x=4H y=4H	18.1	19.0	18.6	19.5	19.9	18.1	18.9	18.5	19.4	19.9
x=4H y=6H	19.0	19.7	19.5	20.2	20.6	18.9	19.7	19.4	20.1	20.6
x=4H y=8H	19.3	20.1	19.9	20.5	21.0	19.3	20.0	19.8	20.5	21.0
x=4H y=12H	19.7	20.3	20.2	20.9	21.3	19.6	20.3	20.1	20.8	21.3
x=8H y=4H	18.5	19.3	19.1	19.7	20.2	18.5	19.2	19.0	19.7	20.2
x=8H y=6H	19.6	20.2	20.1	20.7	21.2	19.5	20.1	20.0	20.6	21.2
x=8H y=8H	20.1	20.6	20.6	21.2	21.6	20.0	20.5	20.5	21.1	21.6
x=8H y=12H	20.6	21.0	21.1	21.6	22.1	20.5	20.9	21.0	21.5	22.1
x=12H y=4H	18.6	19.3	19.1	19.8	20.3	18.5	19.2	19.1	19.7	20.3
x=12H y=6H	19.7	20.2	20.3	20.8	21.3	19.6	20.2	20.2	20.7	21.3
x=12H y=8H	20.3	20.7	20.8	21.3	21.8	20.2	20.6	20.7	21.2	21.8

<b>Luminaire</b>		<b>Measur.</b>		<b>Lamp</b>	
Code	15-1521-21-E9	Code	15-1521-21-E9	Code	15-1521-21-E9
Name	Plafon CLIP leds 14W dif. opal	Name	Plafon CLIP leds 14W Cromo	Number	1
Line	- LEDS C4 LEDS	Date	18-12-2013	Position	Universal
Efficiency	100.00%	Coordinate system	CG	Total Flux	722.72 lm

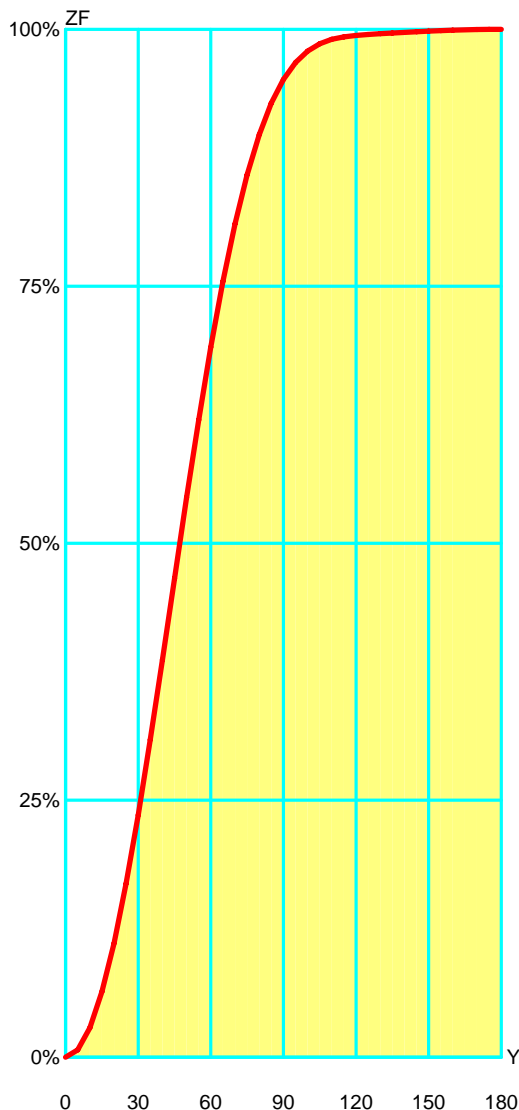
Total Flux=722.72 Luminaire Flux=722.71

RI	0.60	0.80	1.00	1.25	1.50	2.00	2.50	3.00	4.00	5.00	10.00	20.00
DRR	0.28	0.36	0.43	0.49	0.55	0.63	0.69	0.73	0.79	0.82	0.90	0.94
RC	6	6	6	6	6	6	6	6	6	6	6	6

Zonal Flux per 1000 Lumen																		
Y°	10	20	30	40	50	60	70	80	90	100	110	120	130	140	150	160	170	180
ZF(Y)	29	111	236	387	544	691	811	897	951	979	990	994	996	997	998	999	1000	1000

CIE Flux Codes  
43 73 91 95 100

C.I.E.	6	LOR	99.99931 %
D DIN 5040	A31	ULOR	4.88343 %
F UTE	0.95 G + 0.05 T	DLOR	95.11587 %
B NBN	BZ 5	UFF	4.88347 %
RN	4.88347 %	DFF	95.11653 %
BLF	1.0	FFR	5.13419 %



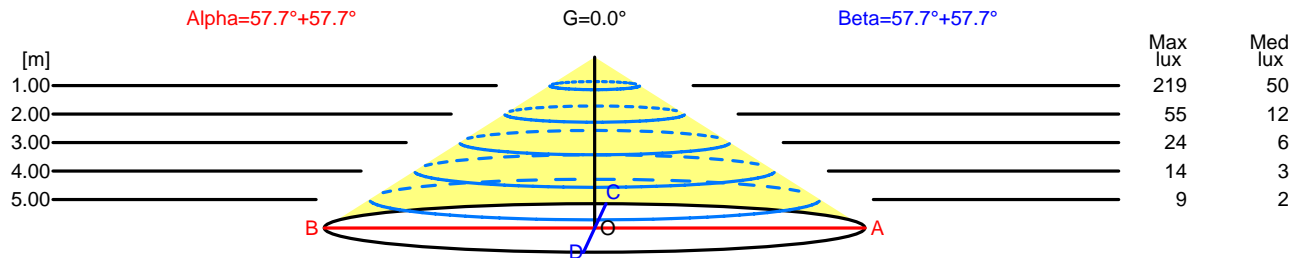
Zonal Flux				
Gamma °	Flux	Sum lm	Flux [%]	Sum [%]
0°	0.00	0.00	0.00%	0.00 %
5°	7.24	7.24	0.72 %	0.72 %
10°	21.47	28.70	2.15 %	2.87 %
15°	34.96	63.66	3.50 %	6.37 %
20°	47.26	110.92	4.73 %	11.09 %
25°	57.96	168.88	5.80 %	16.89 %
30°	66.75	235.63	6.68 %	23.56 %
35°	73.34	308.97	7.33 %	30.90 %
40°	77.53	386.50	7.75 %	38.65 %
45°	79.36	465.86	7.94 %	46.59 %
50°	78.58	544.44	7.86 %	54.44 %
55°	75.60	620.04	7.56 %	62.00 %
60°	70.64	690.68	7.06 %	69.07 %
65°	64.02	754.70	6.40 %	75.47 %
70°	56.17	810.88	5.62 %	81.09 %
75°	47.61	858.48	4.76 %	85.85 %
80°	39.00	897.48	3.90 %	89.75 %
85°	30.61	928.09	3.06 %	92.81 %
90°	23.07	951.16	2.31 %	95.12 %
95°	16.50	967.66	1.65 %	96.77 %
100°	11.18	978.84	1.12 %	97.88 %
105°	7.13	985.97	0.71 %	98.60 %
110°	4.25	990.22	0.43 %	99.02 %
115°	2.45	992.67	0.25 %	99.27 %
120°	1.41	994.07	0.14 %	99.41 %
125°	0.91	994.98	0.09 %	99.50 %
130°	0.73	995.71	0.07 %	99.57 %
135°	0.69	996.40	0.07 %	99.64 %
140°	0.66	997.05	0.07 %	99.71 %
145°	0.62	997.67	0.06 %	99.77 %
150°	0.57	998.24	0.06 %	99.82 %
155°	0.50	998.74	0.05 %	99.87 %
160°	0.43	999.18	0.04 %	99.92 %
165°	0.35	999.53	0.04 %	99.95 %
170°	0.26	999.79	0.03 %	99.98 %
175°	0.15	999.94	0.02 %	99.99 %
180°	0.05	999.99	0.01 %	100.00 %


<b>Luminaire</b>		<b>Measur.</b>		<b>Lamp</b>	
Code	15-1521-21-E9	Code	15-1521-21-E9	Code	15-1521-21-E9
Name	Plafon CLIP leds 14W dif. opal	Name	Plafon CLIP leds 14W Cromo	Number	1
Line	- LEDS C4 LEDS	Date	18-12-2013	Position	Universal
Efficiency	100.00%	Coordinate system	CG	Total Flux	722.72 lm


Width at 50.00 % of MaxLux

H[m]	1.00	2.00	3.00	4.00	5.00	H[m]	1.00	2.00	3.00	4.00	5.00
OA	1.58	3.16	4.75	6.33	7.91	OC	1.58	3.16	4.74	6.32	7.89
OB	1.58	3.16	4.75	6.33	7.91	OD	1.58	3.16	4.74	6.32	7.89

	Luminous Intensities [ cd ]									
	0	5	15	25	35	45	55	65	75	85
OA	219.22	218.17	210.08	195.75	174.15	147.43	117.50	87.98	59.19	35.07
OB	219.22	218.17	210.08	195.75	174.15	147.43	117.50	87.98	59.19	35.07
OC	219.22	218.10	210.69	195.74	174.04	147.16	117.07	85.95	58.00	35.70
OD	219.22	218.10	210.69	195.74	174.04	147.16	117.07	85.95	58.00	35.70



H[m]	D[m]	Max lux	Med lux	Alpha=57.7°+57.7°	G=0.0	
1.00	3.16	219	50			
2.00	6.33	55	12			
3.00	9.49	24	6			
4.00	12.65	14	3			
5.00	15.82	9	2			

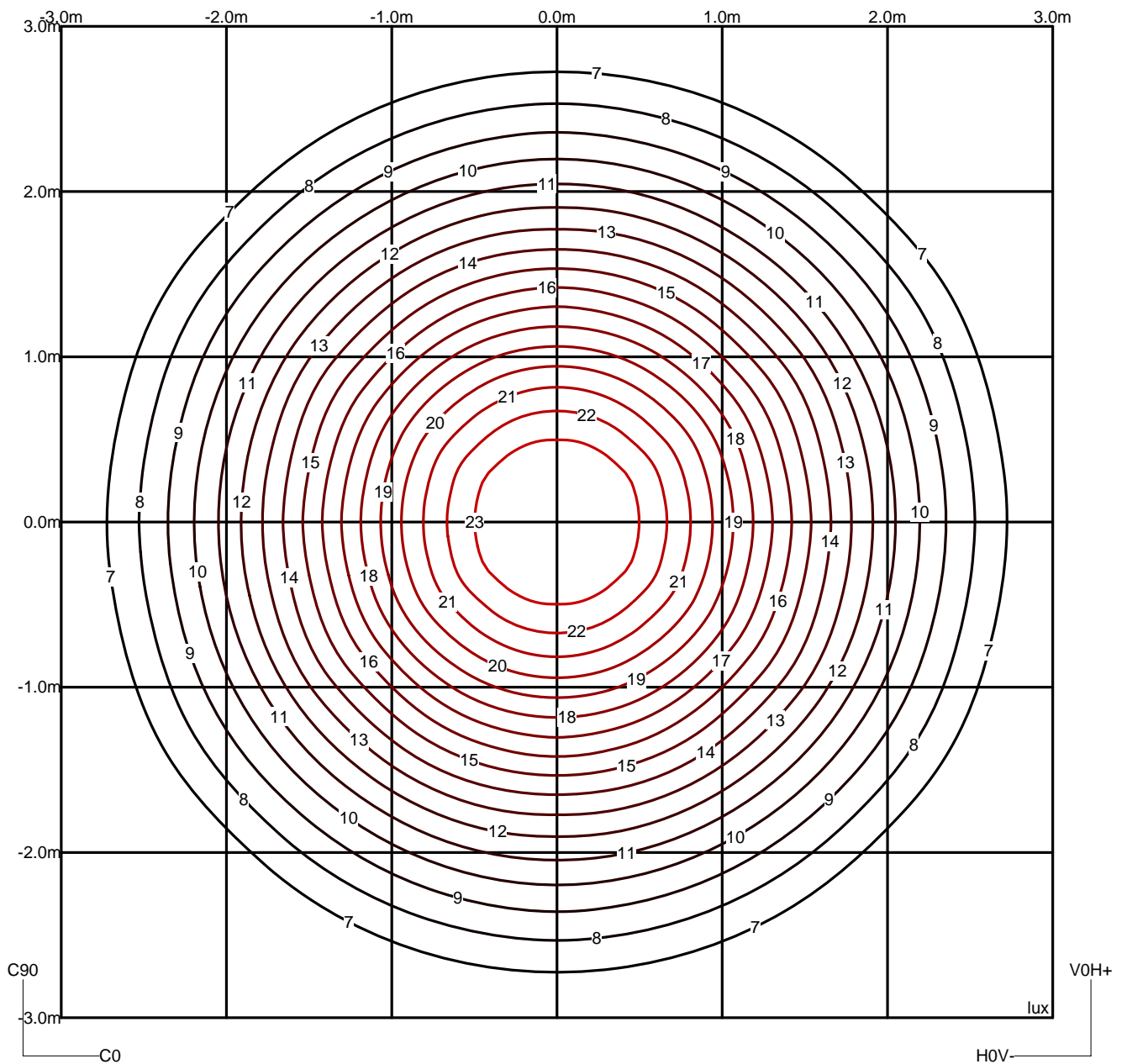
H[m]	D[m]	Max lux	Med lux	Beta=57.7°+57.7°	G=0.0	
1.00	3.16	219	50			
2.00	6.32	55	12			
3.00	9.47	24	6			
4.00	12.63	14	3			
5.00	15.79	9	2			



<b>Luminaire</b>		<b>Measuram.</b>		<b>Lamp</b>	
Code	15-1521-21-E9	Code	15-1521-21-E9	Code	15-1521-21-E9
Name	Plafon CLIP leds 14W dif. opal	Name	Plafon CLIP leds 14W Cromo	Number	1
Line	- LEDS C4 LEDS	Date	18-12-2013	Position	Universal
Efficiency	100.00%	Coordinate system	CG	Total Flux	722.72 lm

Isolux (Floor)

Luminaire position X=0.00m Y=0.00m Z=3.00m



<b>Luminaire</b>				<b>Measur.</b>				<b>Lamp</b>			
Code	15-1521-21-E9			Code	15-1521-21-E9			Code	15-1521-21-E9		
Name	Plafon CLIP leds 14W dif. opal			Name	Plafon CLIP leds 14W Cromo			Number	1		
Line	- LEDS C4 LEDS			Date	18-12-2013			Position	Universal		
Efficiency	100.00%			Coordinate system	CG			Total Flux	722.72 lm		

Utilizations CIE

Mounting	Direct	Normalization				Normalised				Suspension Ratio				Standard CIE Settings									
Ceiling																							
K	8873	8773	8871	8771	7773	7771	7753	7553	7751	7551	7731	7331	7711	7111	5551	5531	5331	5511	5111	3331	3311	1111	0000
0.60	253	228	210	189	217	181	142	121	120	102	79	59	49	33	95	64	56	40	32	53	34	29	18
0.80	291	267	226	208	254	199	174	152	136	120	92	73	58	42	112	76	69	49	40	65	42	37	22
1.00	317	295	231	216	280	207	199	177	146	131	101	83	66	50	123	86	79	57	48	75	50	44	24
1.25	339	319	232	220	304	211	224	203	154	141	109	93	74	59	132	95	88	65	57	84	58	52	27
1.50	355	337	230	220	321	211	244	224	158	147	115	101	81	67	138	102	96	72	64	91	65	59	29
2.00	374	360	222	214	343	207	274	256	162	152	124	111	92	79	144	112	106	83	76	102	76	70	33
2.50	387	375	214	209	358	202	295	279	163	155	129	118	100	88	148	118	113	92	85	109	85	79	35
3.00	395	385	208	204	368	198	311	297	163	157	133	123	106	96	150	123	119	99	92	114	92	86	37
4.00	407	399	200	197	381	192	334	322	164	159	138	131	115	106	152	129	126	108	103	122	102	97	39
5.00	414	407	194	192	390	187	349	339	163	159	141	135	121	114	153	134	131	115	110	126	109	104	41
10.00	428	425	179	178	407	175	383	377	161	160	148	145	136	131	155	143	141	131	128	137	126	122	44
20.00	435	433	170	169	416	167	402	399	159	158	152	150	145	142	154	147	146	140	139	143	136	133	47

Wall

K	8873	8773	8871	8771	7773	7771	7753	7553	7751	7551	7731	7331	7711	7111	5551	5531	5331	5511	5111	3331	3311	1111	0000
0.60	471	457	416	406	450	400	354	345	323	315	271	263	233	228	311	264	261	229	227	260	227	225	206
0.80	536	522	461	451	511	444	416	404	370	362	318	309	278	272	356	309	306	274	270	304	270	268	245
1.00	582	568	489	480	554	472	462	450	403	395	352	343	312	305	387	342	339	307	303	335	302	299	273
1.25	624	610	513	505	594	496	507	494	433	426	385	376	346	338	416	374	370	339	335	365	334	330	300
1.50	656	643	530	523	624	514	542	529	456	449	410	401	373	365	438	398	395	365	361	389	359	354	322
2.00	694	683	546	541	661	530	589	576	482	476	442	433	407	399	463	428	425	398	394	418	391	384	349
2.50	720	711	556	552	686	541	622	610	500	494	464	456	433	425	481	450	447	422	418	438	414	406	368
3.00	739	730	563	559	704	549	646	635	512	507	479	473	451	443	493	465	462	440	436	452	430	422	382
4.00	771	764	579	576	736	566	687	677	535	532	508	502	483	477	516	493	490	471	467	479	460	451	407
5.00	795	789	593	591	760	581	717	709	555	551	531	526	509	503	536	515	513	496	492	501	484	473	428
10.00	862	859	637	635	826	625	800	795	610	608	595	592	581	577	591	578	577	566	563	563	552	539	489
20.00	912	910	673	672	876	662	861	858	653	652	645	643	636	633	635	627	626	620	618	611	604	590	537

Working Pl.

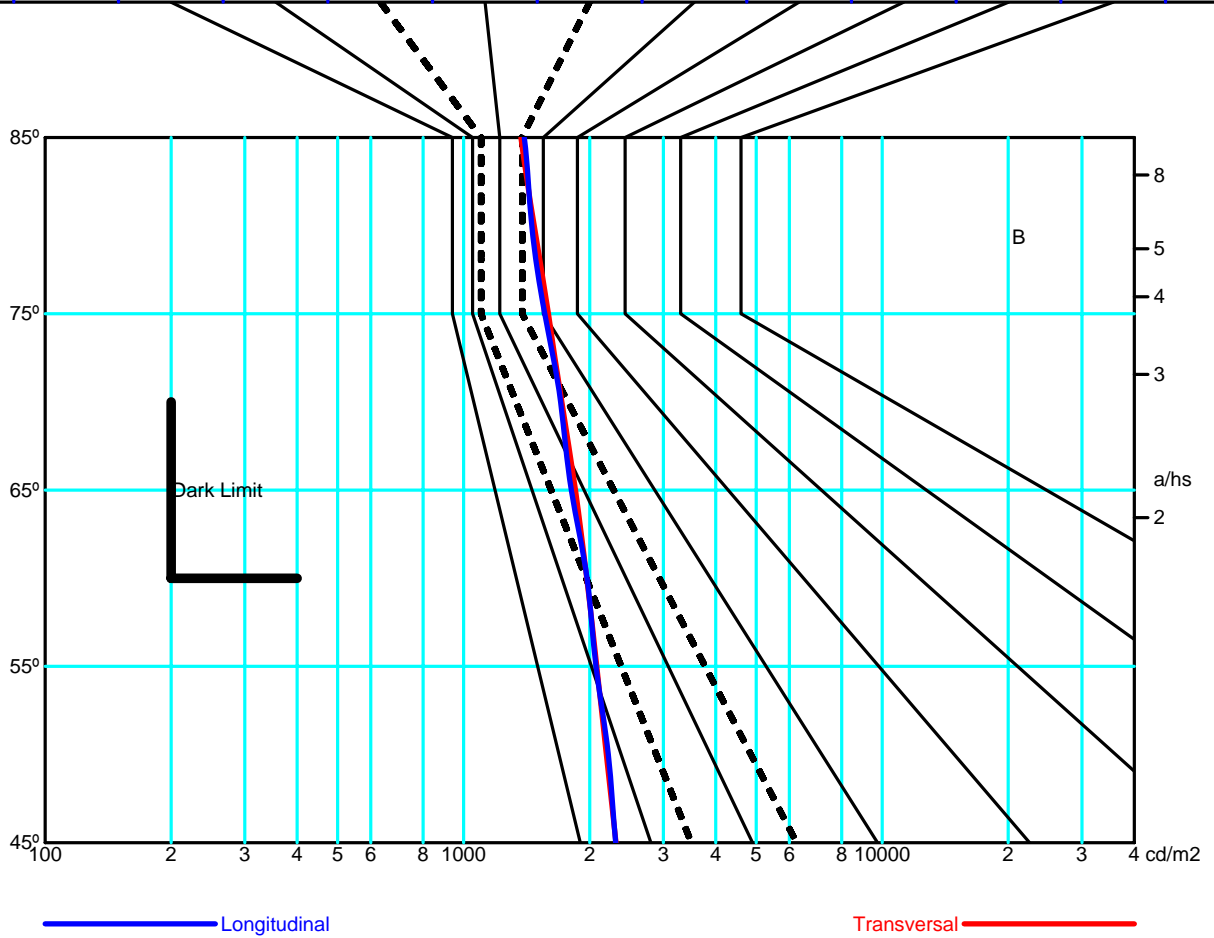
K	8873	8773	8871	8771	7773	7771	7753	7553	7751	7551	7731	7331	7711	7111	5551	5531	5331	5511	5111	3331	3311	1111	0000
0.60	562	548	525	513	538	506	422	412	407	399	339	332	291	286	393	332	329	287	284	327	284	282	265
0.80	667	650	614	602	636	592	518	506	494	485	424	415	372	365	476	414	410	366	363	406	362	359	340
1.00	749	731	682	671	713	658	598	583	566	555	496	485	442	434	544	483	479	435	430	473	429	424	405
1.25	826	809	745	734	787	720	677	661	634	624	567	555	513	503	609	551	546	504	498	539	496	490	470
1.50	885	869	790	781	843	765	738	722	685	676	622	609	569	558	659	604	599	558	552	589	548	541	522
2.00	971	956	855	848	925	831	832	816	763	754	706	694	658	646	733	685	680	643	637	668	631	621	602
2.50	1000	1000	896	890	979	872	896	880	813	805	762	751	718	707	782	739	735	702	695	720	687	675	657
3.00	1000	1000	924	919	1000	901	943	928	849	842	803	793	763	752	818	779	775	745	738	758	729	714	697
4.00	1000	1000	959	955	1000	937	1000	991	894	889	856	847	821	811	862	830	826	800	795	807	781	765	748
5.00	1000	1000	980	977	1000	959	1000	1000	923	918	889	882	859	849	890	862	859	836	831	837	815	797	780
10.00	1000	1000	1000	1000	1000	1000	1000	1000	984	982	964	959	945	939	951	934	932	918	915	906	893	869	853
20.00	1000	1000	1000	1000	1000	1000	1000	1000	1000	1000	1000	1000	997	993	986	976	975	967	965	947	939	913	897

LM53 SHR C0-C180: 1.250 SHR C90-C270: 1.250 SHR Square: 1.383

<b>Luminaire</b>		<b>Measur.</b>		<b>Lamp</b>	
Code	15-1521-21-E9	Code	15-1521-21-E9	Code	15-1521-21-E9
Name	Plafon CLIP leds 14W dif. opal	Name	Plafon CLIP leds 14W Cromo	Number	1
Line	- LEDS C4 LEDS	Date	18-12-2013	Position	Universal
Efficiency	100.00%	Coordinate system	CG	Total Flux	722.72 lm

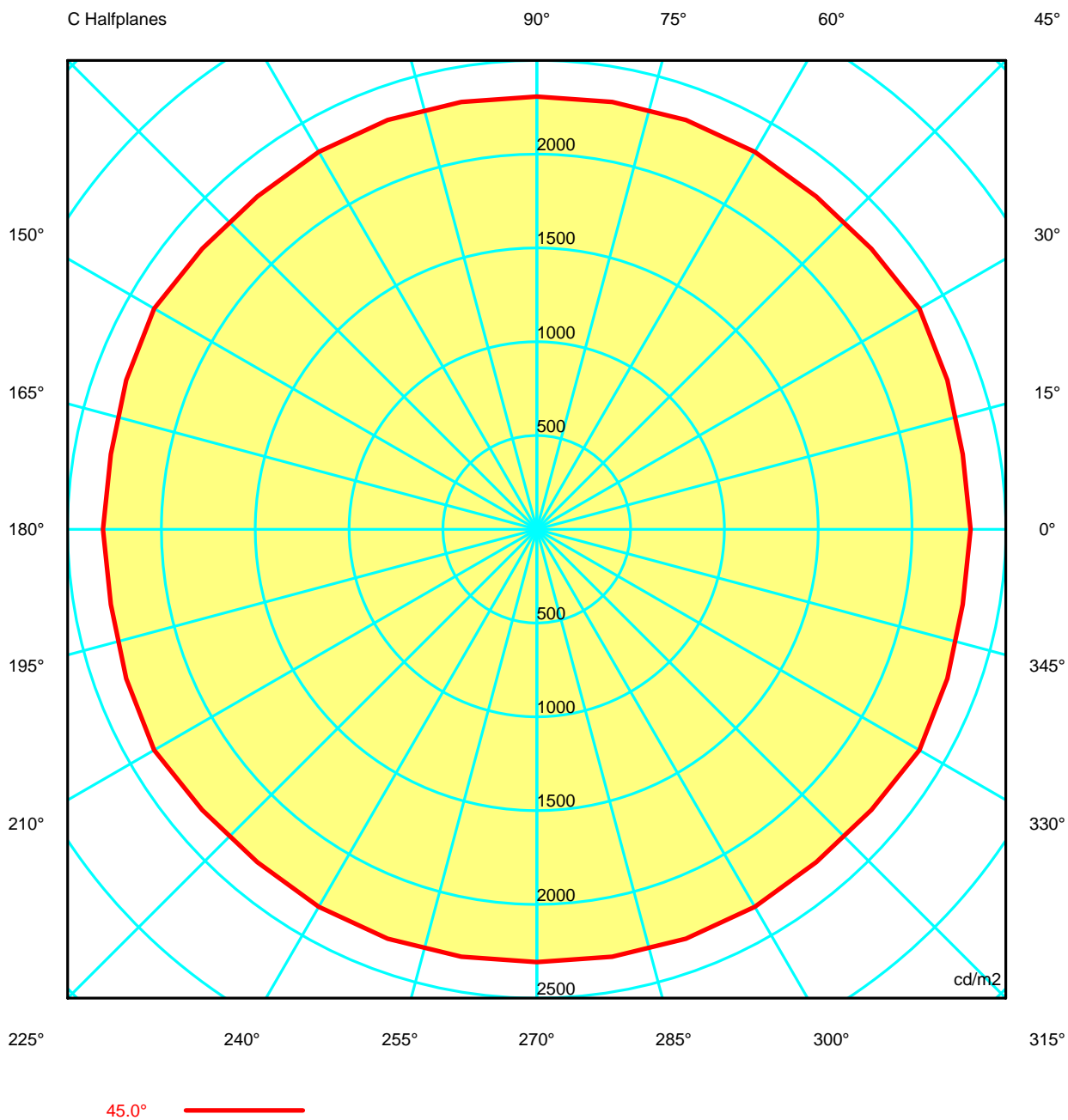
Average Luminance [cd/m <sup>2</sup> ]											
	0.0°	45°	50°	55°	60°	65°	70°	75°	80°	85°	
90.0°	2308	2312	2194	2079	1970	1850	1715	1594	1474	1371	---
		2308	2216	2071	1971	1808	1705	1562	1455	1395	---

Flush mounted or transversal view												
		Illumination(lx)										
A	A	2000	1000	750	500		<300					1.15
B	1		2000	1500	1000	750	500	<300				1.5
C					2000		1000	500	<300			1.85
D	2						2000	1000	500	<300		2.2
E	3							2000	1000	500	<300	2.55



<b>Luminaire</b>		<b>Measur.</b>		<b>Lamp</b>	
Code	15-1521-21-E9	Code	15-1521-21-E9	Code	15-1521-21-E9
Name	Plafon CLIP leds 14W dif. opal	Name	Plafon CLIP leds 14W Cromo	Number	1
Line	- LEDS C4 LEDS	Date	18-12-2013	Position	Universal
Efficiency	100.00%	Coordinate system	CG	Total Flux	722.72 lm

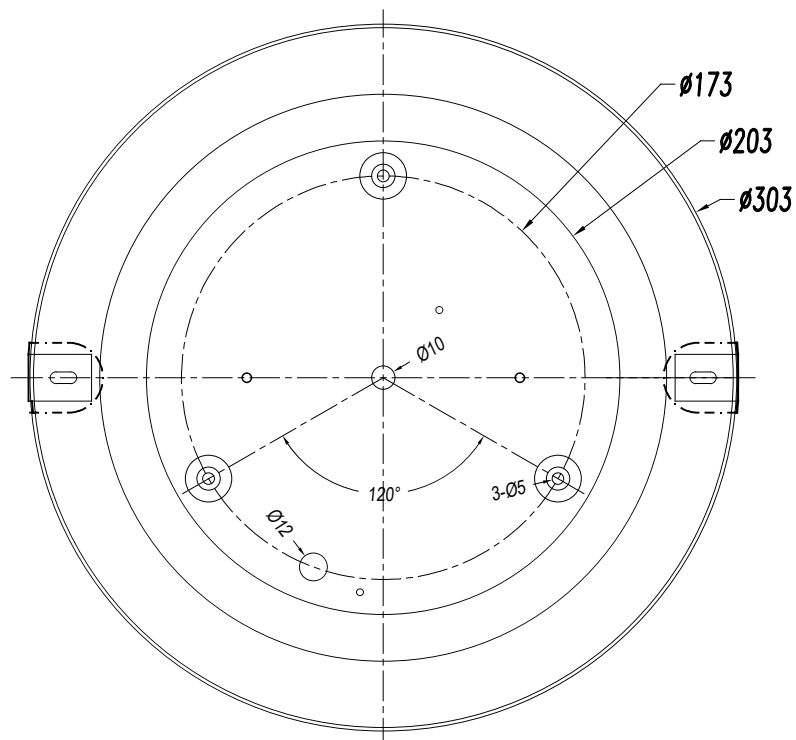
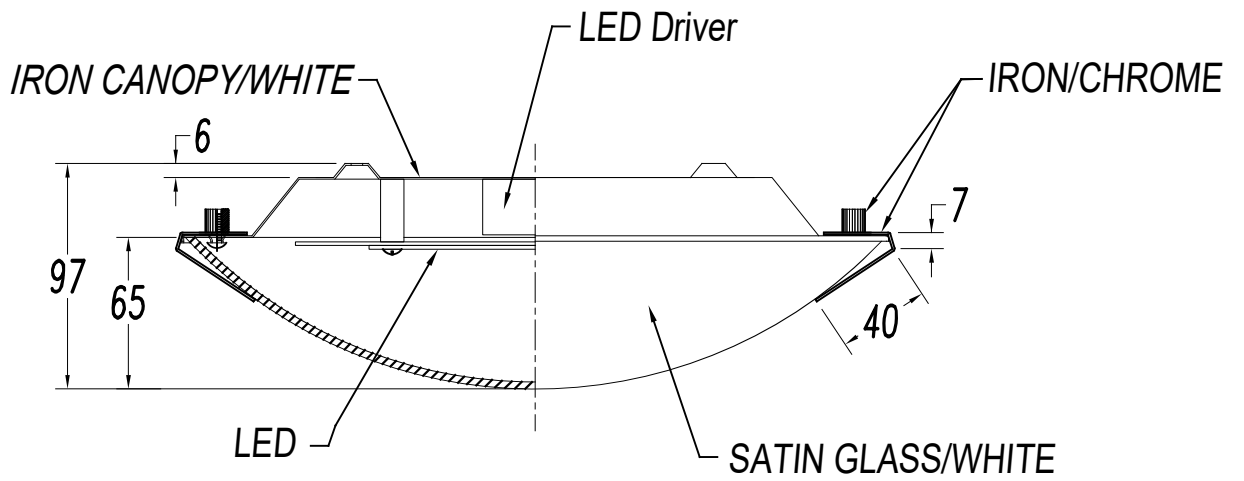
Luminance



Luminaire		Measur.		Lamp									
Code	15-1521-21-E9	Code	15-1521-21-E9	Code	15-1521-21-E9								
Name	Plafon CLIP leds 14W dif. opal	Name	Plafon CLIP leds 14W Cromo	Number	1								
Line	- LEDS C4 LEDS	Date	18-12-2013	Position	Universal								
Efficiency	100.00%	Coordinate system	CG	Total Flux	722.72 lm								
Luminance cd/m2 Table 1/3													
	C 0.00	C 10.00	C 20.00	C 30.00	C 40.00	C 50.00	C 60.00	C 70.00	C 80.00	C 90.00	C 100.00	C 110.00	C 120.00
G 0.0	3101.33	3101.33	3101.33	3101.33	3101.33	3101.33	3101.33	3101.33	3101.33	3101.33	3101.33	3101.33	3101.33
G 5.0	3025.25	3025.70	3027.30	3028.70	3027.36	3026.25	3025.87	3025.94	3025.58	3024.26	3025.58	3025.94	3025.87
G 10.0	2947.28	2948.46	2952.40	2957.62	2953.22	2950.49	2950.60	2951.19	2949.95	2947.47	2949.95	2951.19	2950.60
G 15.0	2865.12	2866.36	2871.48	2878.31	2871.65	2867.96	2868.54	2870.27	2871.58	2873.36	2871.58	2870.27	2868.54
G 20.0	2790.23	2788.44	2794.20	2801.47	2796.74	2790.22	2788.09	2786.92	2785.14	2782.59	2785.14	2786.92	2788.09
G 25.0	2707.32	2700.21	2706.25	2713.88	2700.31	2696.42	2701.09	2700.39	2700.65	2707.13	2700.65	2700.39	2701.09
G 30.0	2616.24	2612.20	2624.89	2639.15	2624.42	2616.08	2616.73	2615.70	2608.62	2598.79	2608.62	2615.70	2616.73
G 35.0	2520.74	2522.05	2525.18	2527.83	2525.12	2518.42	2513.37	2515.42	2518.45	2519.12	2518.45	2515.42	2513.37
G 40.0	2420.91	2415.15	2430.85	2448.65	2429.55	2418.92	2419.84	2419.12	2420.37	2427.87	2420.37	2419.12	2419.84
G 45.0	2311.93	2304.68	2328.17	2354.40	2327.76	2316.82	2323.75	2322.62	2314.25	2307.58	2314.25	2322.62	2323.75
G 50.0	2193.61	2195.46	2210.73	2232.80	2209.98	2195.25	2193.57	2191.89	2197.65	2215.81	2197.65	2191.89	2193.57
G 55.0	2078.96	2082.55	2104.06	2125.95	2112.18	2091.92	2084.59	2082.92	2079.12	2071.31	2079.12	2082.92	2084.59
G 60.0	1970.14	1958.29	1974.62	1991.69	1958.09	1948.79	1960.37	1959.35	1958.62	1970.71	1958.62	1959.35	1960.37
G 65.0	1850.40	1834.95	1860.07	1892.53	1861.77	1842.34	1841.16	1831.41	1819.77	1807.71	1819.77	1831.41	1841.16
G 70.0	1715.17	1716.77	1723.72	1730.63	1713.33	1696.88	1693.30	1692.54	1696.32	1704.78	1696.32	1692.54	1693.30
G 75.0	1594.03	1580.19	1607.56	1640.20	1603.91	1580.60	1578.10	1575.66	1570.57	1562.17	1570.57	1575.66	1578.10
G 80.0	1473.82	1461.33	1491.28	1524.17	1481.65	1457.91	1458.33	1453.15	1449.80	1454.73	1449.80	1453.15	1458.33
G 85.0	1370.72	1359.67	1390.68	1423.35	1379.11	1355.94	1357.61	1351.53	1357.45	1395.20	1357.45	1351.53	1357.61
G 90.0	1312.83	1296.91	1336.56	1386.99	1350.56	1319.35	1309.46	1304.82	1295.02	1284.51	1295.02	1304.82	1309.46

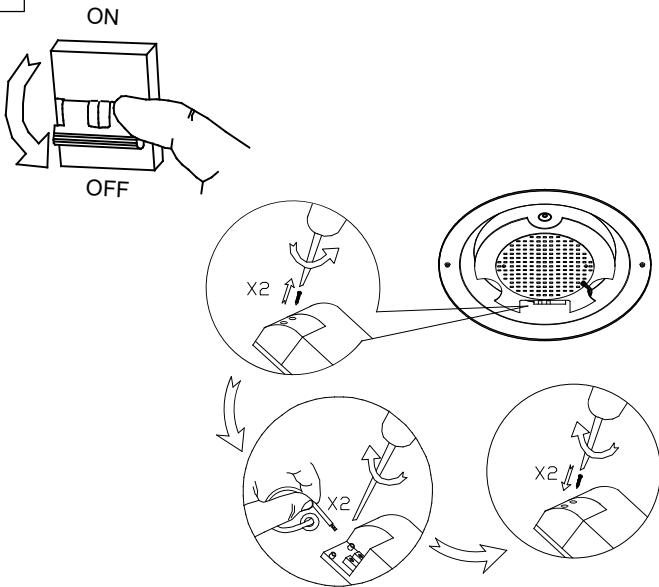
Luminaire		Measur.		Lamp									
Code	15-1521-21-E9	Code	15-1521-21-E9	Code	15-1521-21-E9								
Name	Plafon CLIP leds 14W dif. opal	Name	Plafon CLIP leds 14W Cromo	Number	1								
Line	- LEDS C4 LEDS	Date	18-12-2013	Position	Universal								
Efficiency	100.00%	Coordinate system	CG	Total Flux	722.72 lm								
Luminance cd/m2 Table 2/3													
	C 130.00	C 140.00	C 150.00	C 160.00	C 170.00	C 180.00	C 190.00	C 200.00	C 210.00	C 220.00	C 230.00	C 240.00	C 250.00
G 0.0	3101.33	3101.33	3101.33	3101.33	3101.33	3101.33	3101.33	3101.33	3101.33	3101.33	3101.33	3101.33	3101.33
G 5.0	3026.25	3027.36	3028.70	3027.30	3025.70	3025.25	3025.70	3027.30	3028.70	3027.36	3026.25	3025.87	3025.94
G 10.0	2950.49	2953.22	2957.62	2952.40	2948.46	2947.28	2948.46	2952.40	2957.62	2953.22	2950.49	2950.60	2951.19
G 15.0	2867.96	2871.65	2878.31	2871.48	2866.36	2865.12	2866.36	2871.48	2878.31	2871.65	2867.96	2868.54	2870.27
G 20.0	2790.22	2796.74	2801.47	2794.20	2788.44	2790.23	2788.44	2794.20	2801.47	2796.74	2790.22	2788.09	2786.92
G 25.0	2696.42	2700.31	2713.88	2706.25	2700.21	2707.32	2700.21	2706.25	2713.88	2700.31	2696.42	2701.09	2700.39
G 30.0	2616.08	2624.42	2639.15	2624.89	2612.20	2616.24	2612.20	2624.89	2639.15	2624.42	2616.08	2616.73	2615.70
G 35.0	2518.42	2525.12	2527.83	2525.18	2522.05	2520.74	2522.05	2525.18	2527.83	2525.12	2518.42	2513.37	2515.42
G 40.0	2418.92	2429.55	2448.65	2430.85	2415.15	2420.91	2415.15	2430.85	2448.65	2429.55	2418.92	2419.84	2419.12
G 45.0	2316.82	2327.76	2354.40	2328.17	2304.68	2311.93	2304.68	2328.17	2354.40	2327.76	2316.82	2323.75	2322.62
G 50.0	2195.25	2209.98	2232.80	2210.73	2195.46	2193.61	2195.46	2210.73	2232.80	2209.98	2195.25	2193.57	2191.89
G 55.0	2091.92	2112.18	2125.95	2104.06	2082.55	2078.96	2082.55	2104.06	2125.95	2112.18	2091.92	2084.59	2082.92
G 60.0	1948.79	1958.09	1991.69	1974.62	1958.29	1970.14	1958.29	1974.62	1991.69	1958.09	1948.79	1960.37	1959.35
G 65.0	1842.34	1861.77	1892.53	1860.07	1834.95	1850.40	1834.95	1860.07	1892.53	1861.77	1842.34	1841.16	1831.41
G 70.0	1696.88	1713.33	1730.63	1723.72	1716.77	1715.17	1716.77	1723.72	1730.63	1713.33	1696.88	1693.30	1692.54
G 75.0	1580.60	1603.91	1640.20	1607.56	1580.19	1594.03	1580.19	1607.56	1640.20	1603.91	1580.60	1578.10	1575.66
G 80.0	1457.91	1481.65	1524.17	1491.28	1461.33	1473.82	1461.33	1491.28	1524.17	1481.65	1457.91	1458.33	1453.15
G 85.0	1355.94	1379.11	1423.35	1390.68	1359.67	1370.72	1359.67	1390.68	1423.35	1379.11	1355.94	1357.61	1351.53
G 90.0	1319.35	1350.56	1386.99	1336.56	1296.91	1312.83	1296.91	1336.56	1386.99	1350.56	1319.35	1309.46	1304.82

Luminaire		Measur.		Lamp									
Code	15-1521-21-E9	Code	15-1521-21-E9	Code	15-1521-21-E9								
Name	Plafon CLIP leds 14W dif. opal	Name	Plafon CLIP leds 14W Cromo	Number	1								
Line	- LEDS C4 LEDS	Date	18-12-2013	Position	Universal								
Efficiency	100.00%	Coordinate system	CG	Total Flux	722.72 lm								
Luminance cd/m2 Table 3/3													
	C 180.00	C 190.00	C 200.00	C 210.00	C 220.00	C 230.00	C 240.00	C 250.00	C 260.00	C 270.00	C 280.00	C 290.00	C 300.00
G 0.0	3101.33	3101.33	3101.33	3101.33	3101.33	3101.33	3101.33	3101.33	3101.33	3101.33	3101.33	3101.33	3101.33
G 5.0	3025.25	3025.70	3027.30	3028.70	3027.36	3026.25	3025.87	3025.94	3025.58	3024.26	3025.58	3025.94	3025.87
G 10.0	2947.28	2948.46	2952.40	2957.62	2953.22	2950.49	2950.60	2951.19	2949.95	2947.47	2949.95	2951.19	2950.60
G 15.0	2865.12	2866.36	2871.48	2878.31	2871.65	2867.96	2868.54	2870.27	2871.58	2873.36	2871.58	2870.27	2868.54
G 20.0	2790.23	2788.44	2794.20	2801.47	2796.74	2790.22	2788.09	2786.92	2785.14	2782.59	2785.14	2786.92	2788.09
G 25.0	2707.32	2700.21	2706.25	2713.88	2700.31	2696.42	2701.09	2700.39	2700.65	2707.13	2700.65	2700.39	2701.09
G 30.0	2616.24	2612.20	2624.89	2639.15	2624.42	2616.08	2616.73	2615.70	2608.62	2598.79	2608.62	2615.70	2616.73
G 35.0	2520.74	2522.05	2525.18	2527.83	2525.12	2518.42	2513.37	2515.42	2518.45	2519.12	2518.45	2515.42	2513.37
G 40.0	2420.91	2415.15	2430.85	2448.65	2429.55	2418.92	2419.84	2419.12	2420.37	2427.87	2420.37	2419.12	2419.84
G 45.0	2311.93	2304.68	2328.17	2354.40	2327.76	2316.82	2323.75	2322.62	2314.25	2307.58	2314.25	2322.62	2323.75
G 50.0	2193.61	2195.46	2210.73	2232.80	2209.98	2195.25	2193.57	2191.89	2197.65	2215.81	2197.65	2191.89	2193.57
G 55.0	2078.96	2082.55	2104.06	2125.95	2112.18	2091.92	2084.59	2082.92	2079.12	2071.31	2079.12	2082.92	2084.59
G 60.0	1970.14	1958.29	1974.62	1991.69	1958.09	1948.79	1960.37	1959.35	1958.62	1970.71	1958.62	1959.35	1960.37
G 65.0	1850.40	1834.95	1860.07	1892.53	1861.77	1842.34	1841.16	1831.41	1819.77	1807.71	1819.77	1831.41	1841.16
G 70.0	1715.17	1716.77	1723.72	1730.63	1713.33	1696.88	1693.30	1692.54	1696.32	1704.78	1696.32	1692.54	1693.30
G 75.0	1594.03	1580.19	1607.56	1640.20	1603.91	1580.60	1578.10	1575.66	1570.57	1562.17	1570.57	1575.66	1578.10
G 80.0	1473.82	1461.33	1491.28	1524.17	1481.65	1457.91	1458.33	1453.15	1449.80	1454.73	1449.80	1453.15	1458.33
G 85.0	1370.72	1359.67	1390.68	1423.35	1379.11	1355.94	1357.61	1351.53	1357.45	1395.20	1357.45	1351.53	1357.61
G 90.0	1312.83	1296.91	1336.56	1386.99	1350.56	1319.35	1309.46	1304.82	1295.02	1284.51	1295.02	1304.82	1309.46

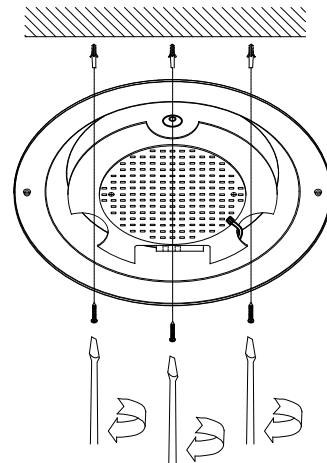




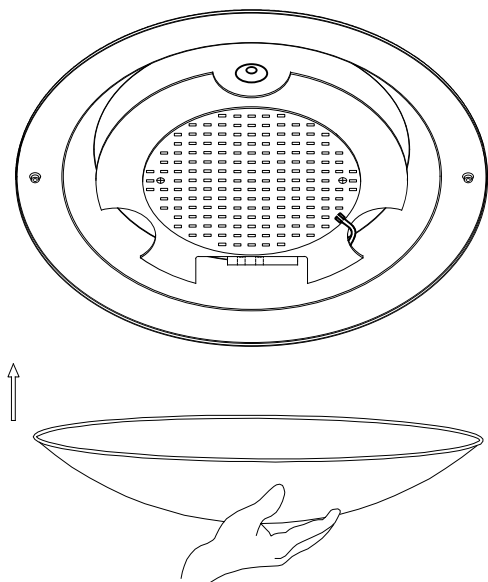
1



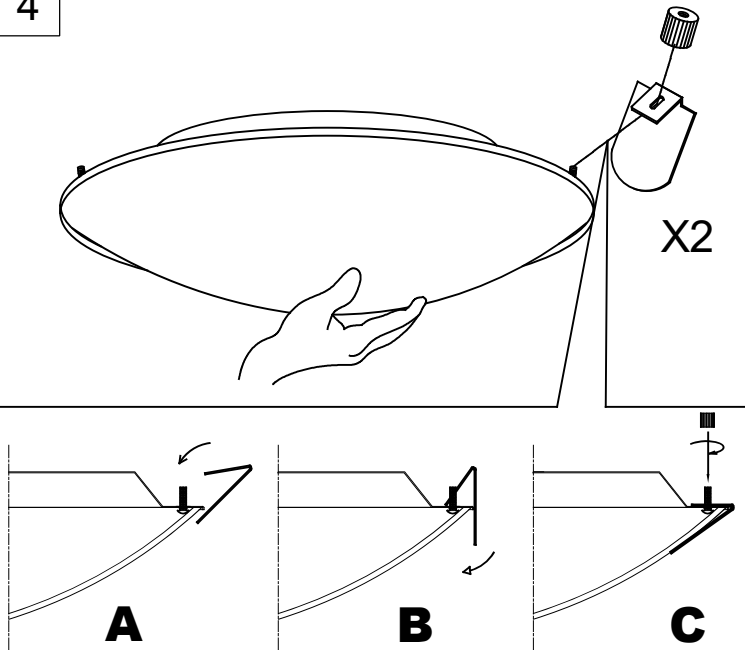
2



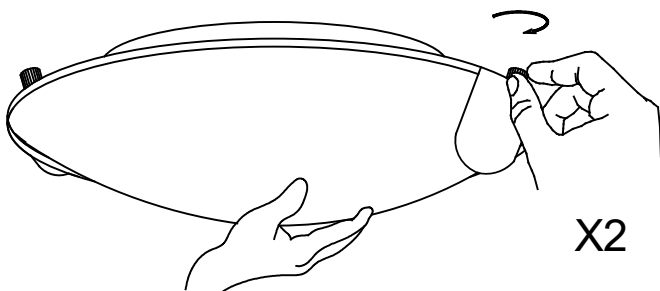
3



4



5



6

