**Description**

Projecteur LED à usage intérieur et extérieur pour éclairer vers le bas.



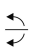
Comprend des orifices de drainage sur la partie frontale de la tête pour éviter la stagnation d'eau et prolonger au maximum la durée de vie utile du luminaire. Comprend un système de zoom permettant d'ajuster l'angle du faisceau lumineux sans nécessité d'outils. Peut être installé en milieu marin. Mètres de câble fournis: 0.20. Source lumineuse orientable. Matière structure: Aluminium anodisé. Finition structure: Noir. Matière diffuseur: PMMA. Finition diffuseur: Transparent. Protection contre les rayons ultraviolets. Garantie: 5 Ans.

**Finition**

Noir  
Transparent

**Matière**

Aluminium anodisé  
PMMA

 IP65  13°-60° zoom  ±90°

**CARACTÉRISTIQUES TECHNIQUES****Source lumineuse**

Source lumineuse: LED CREE  
Puissance (W): 8.5W  
Température de couleur: Blanc chaud -  
3 000 K  
CRI: 80  
Risque photobiologique: RG2  
Lumens réels: 421  
Nbr de LED: 1  
Lm/W réels: 53  
Durée de vie: 50.000h L80B20  
Bin / Grup: 7C1 o 7B4  
MacAdam steps: 3  
Facteur UGR: 14.7

**ÉQUIPEMENT**

Équipement nécessaire NON compris

**Luminaire**

Double presse-étoupe: Non  
Drainage: Non  
Encastrable: No  
Adapté au milieu marin: Oui  
Mètres de câble fournis: 0.20  
Protection UVA: Oui  
Garantie: 5 Ans

**Logistique**

Efficacité énergétique: LED A++  
Code EAN: 8435526867295  
Poids net (kg): 0.000

## ACCESSOIRES EN OPTION

---



### 71-E039-05-05

Matière structure: Aluminium injecté  
Dimensions: 80 x 155 x 70  
Poids net (kg): 0.000



### 71-E041-05-05

Matière structure: Aluminium injecté  
Dimensions: 80 x 195 x 70  
Poids net (kg): 0.000



### 71-E052-Z5-Z5

-  
Matière structure: Acier galvanisé  
Dimensions: 80 x 830 x 80  
Poids net (kg): 0.000



### 71-9999-Z5-Z5

Matière structure: Aluminium  
Dimensions: 30 x - x 108  
Poids net (kg): 0.300



### 71-9746-05-05

Attache  
Matière structure: Polycarbonate  
Poids net (kg): 0.110



### 71-9997-05-05

Piquet  
Matière structure: Résine  
Dimensions: 50 x - x 235  
Poids net (kg): 0.065



### 71-9998-05-05

Piquet  
Matière structure: Résine  
Dimensions: 60 x 302 x -  
Poids net (kg): 0.180

# LEDS C4<sup>®</sup>

## Luminaria

Código 05-E039-05-CL  
Nombre ZOOM

## Ensayo

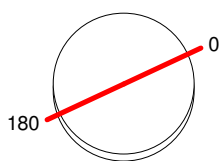
Código 05-E039-05-CL  
Nombre ZOOM

Flujo Luminaria	130.02 lm	Potencia luminaria	5.80 W	Eficacia	22.42 lm/W	Eficiencia	100.00%
Flujo de Lámpara	130.02 lm	Valor Máximo	18396.87 cd/klm	Posición	C=0.00 G=0.00	CG	Rotosimétrico
Luminaria Redonda		Diam.	34 mm	Altura	102 mm		
Área Luminosa Redonda		Diam.	21 mm	Altura	0 mm		
Área Luminosa Horizontal			0.000346 m2	Área Emisión sobre Pl. 180°			0.000000 m2
Área Emisión sobre Pl. 0°			0.000000 m2	Área Emisión sobre Pl. 270°			0.000000 m2
Área Emisión sobre Pl. 90°			0.000000 m2	Área de deslumbramiento a 76°			0.000084 m2
Sist. de Coorden.		CG		Tipo de Simetría			Rotosimétrico
Fecha		30-01-2018		Máximo Ángulo Gamma			90
Distancia de Ensayo		0.00		Flujo de Ensayo			130.02 lm
Operador		qualitat		Tensión de alimentación [V]			
Temperatura		25.00 °C		Corriente de alimentación [A]			
Humedad		60.00 %		Fotocélula			
Notas							

## Lámparas de la Luminaria

Familia	Código	Nombre	Flujo [lm]	Pot. [W]	Cant.
	05-E030-05-CL	05-E030-05-CL	130.02	5.80	1
C.I.E.	93 98 100 100 100	D DIN 5040	A60		
F UTE	1.00 A	B NBN	BZ 1		

Diam=34mm



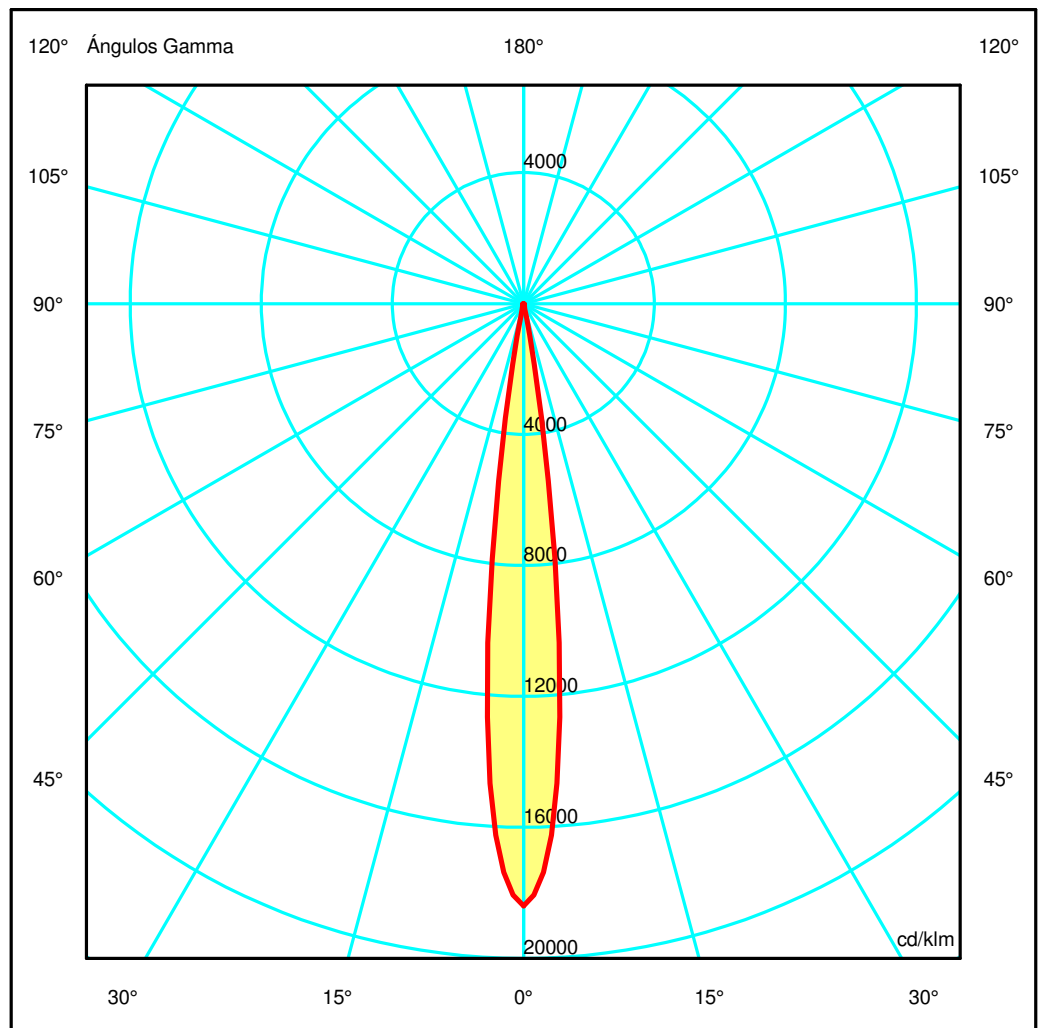
Semiplanos C

180.0 — 0.0

ULOR 0.00 %

DLOR 100.00 %

RN 0.00 %



**Luminaria**

Código 05-E039-05-CL  
Nombre ZOOM

**Ensayo**

Código 05-E039-05-CL  
Nombre ZOOM

Flujo Luminaria	130.02 lm	Potencia luminaria	5.80 W	Eficacia	22.42 lm/W	Eficiencia	100.00%
Flujo de Lámpara	130.02 lm	Valor Máximo	18396.87 cd/klm	Posición	C=0.00 G=0.00	CG	Rotosimétrico

**Tabla de Intensidad Luminosa cd/klm**      **Tabla 1/1**

	C 0.00	C 0.00	
G 0.0	18396.87	G 46.0	30.41
G 1.0	18063.83	G 47.0	31.74
G 2.0	17381.23	G 48.0	33.41
G 3.0	16252.52	G 49.0	34.81
G 4.0	14683.53	G 50.0	35.92
G 5.0	12678.91	G 51.0	37.27
G 6.0	10411.53	G 52.0	36.77
G 7.0	7866.82	G 53.0	36.62
G 8.0	5467.84	G 54.0	34.97
G 9.0	3535.16	G 55.0	33.37
G 10.0	1874.69	G 56.0	30.94
G 11.0	984.52	G 57.0	28.91
G 12.0	420.93	G 58.0	27.07
G 13.0	195.60	G 59.0	25.10
G 14.0	140.72	G 60.0	23.05
G 15.0	120.51	G 61.0	20.79
G 16.0	109.65	G 62.0	18.88
G 17.0	98.50	G 63.0	17.30
G 18.0	87.75	G 64.0	15.87
G 19.0	78.78	G 65.0	14.50
G 20.0	69.36	G 66.0	13.04
G 21.0	62.57	G 67.0	11.45
G 22.0	55.42	G 68.0	10.20
G 23.0	47.93	G 69.0	9.00
G 24.0	43.12	G 70.0	7.85
G 25.0	36.60	G 71.0	6.74
G 26.0	33.58	G 72.0	5.72
G 27.0	31.25	G 73.0	4.78
G 28.0	29.08	G 74.0	3.96
G 29.0	28.04	G 75.0	3.24
G 30.0	27.47	G 76.0	2.60
G 31.0	24.96	G 77.0	1.97
G 32.0	23.05	G 78.0	1.42
G 33.0	21.68	G 79.0	0.82
G 34.0	21.24	G 80.0	0.46
G 35.0	20.60	G 81.0	0.16
G 36.0	21.22	G 82.0	0.08
G 37.0	23.15	G 83.0	0.07
G 38.0	24.77	G 84.0	0.08
G 39.0	25.97	G 85.0	0.09
G 40.0	26.44	G 86.0	0.11
G 41.0	26.31	G 87.0	0.13
G 42.0	26.29	G 88.0	0.16
G 43.0	26.77	G 89.0	0.15
G 44.0	27.58	G 90.0	0.13
G 45.0	28.75		

# LEDS C4<sup>®</sup>

**Luminaria**

Código 05-E039-05-CL  
Nombre ZOOM

**Ensayo**

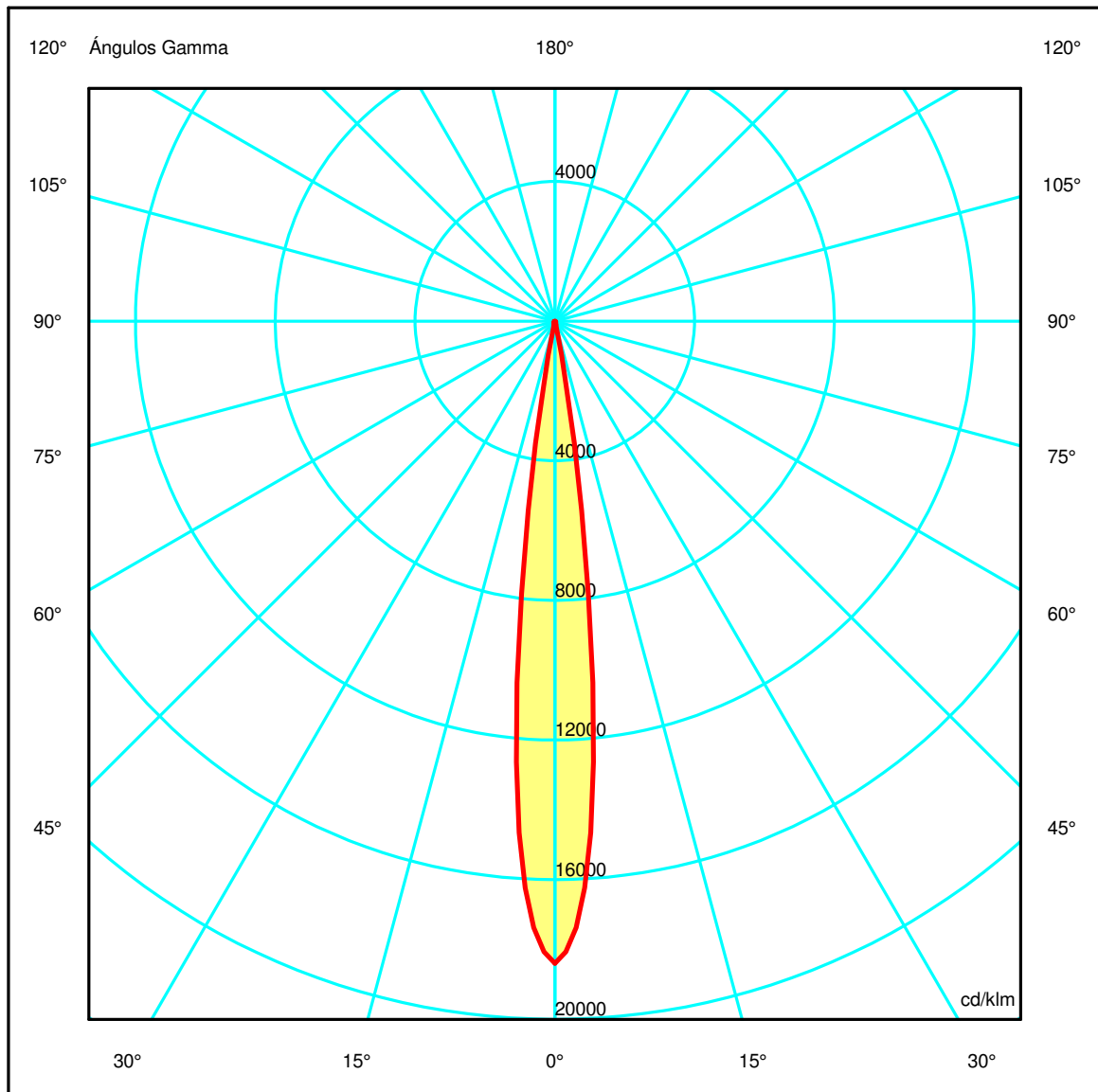
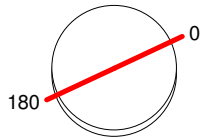
Código 05-E039-05-CL  
Nombre ZOOM

Flujo Luminaria	130.02 lm	Potencia luminaria	5.80 W	Eficacia	22.42 lm/W	Eficiencia	100.00%
Flujo de Lámpara	130.02 lm	Valor Máximo	18396.87 cd/klm	Posición	C=0.00 G=0.00	CG	Rotosimétrico

Diam=34mm

Semiplanos C

180.0  0.0



# LEDS C4<sup>2</sup>

## Luminaria

Código 05-E039-05-CL  
Nombre ZOOM

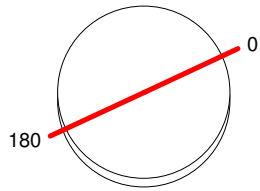
## Ensayo

Código 05-E039-05-CL  
Nombre ZOOM

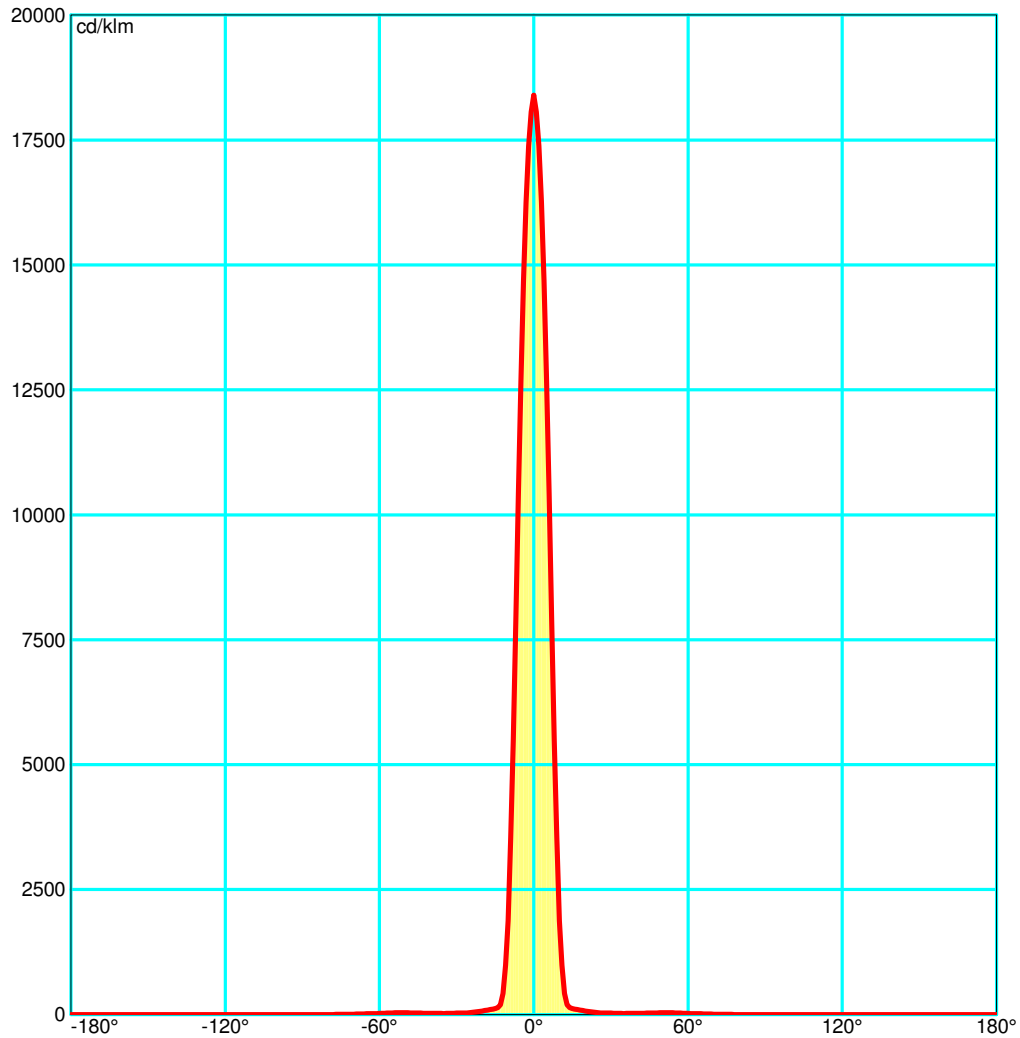
Flujo Luminaria	130.02 lm	Potencia luminaria	5.80 W	Eficacia	22.42 lm/W	Eficiencia	100.00%
Flujo de Lámpara	130.02 lm	Valor Máximo	18396.87 cd/klm	Posición	C=0.00 G=0.00	CG	Rotosimétrico

Diam=34mm

Semiplanos C



180.0 ————— 0.0



**Luminaria**

Código 05-E039-05-CL  
Nombre ZOOM

**Ensayo**

Código 05-E039-05-CL  
Nombre ZOOM

Flujo Luminaria	130.02 lm	Potencia luminaria	5.80 W	Eficacia	22.42 lm/W	Eficiencia	100.00%
Flujo de Lámpara	130.02 lm	Valor Máximo	18396.87 cd/klm	Posición	C=0.00 G=0.00	CG	Rotosimétrico

**UGR**  
S = 0.250

Reflectancias										
Ceiling/Cavity	0.7	0.7	0.5	0.5	0.3	0.7	0.7	0.5	0.5	0.3
Walls	0.5	0.3	0.5	0.3	0.3	0.5	0.3	0.5	0.3	0.3
WorkingPlane	0.2	0.2	0.2	0.2	0.2	0.2	0.2	0.2	0.2	0.2
RoomDimensions	Viewed Crosswise					Viewed Endwise				
x=2H y=2H	16.2	16.9	16.4	17.1	17.3	16.2	16.9	16.4	17.1	17.3
x=2H y=3H	16.9	17.5	17.1	17.7	18.0	16.9	17.5	17.1	17.7	18.0
x=2H y=4H	16.9	17.6	17.2	17.8	18.1	16.9	17.6	17.2	17.8	18.1
x=2H y=6H	16.9	17.5	17.2	17.7	18.0	16.9	17.5	17.2	17.7	18.0
x=2H y=8H	16.9	17.4	17.2	17.7	18.0	16.9	17.4	17.2	17.7	18.0
x=2H y=12H	16.8	17.3	17.2	17.6	17.9	16.8	17.3	17.2	17.6	17.9
x=4H y=2H	16.7	17.4	17.1	17.6	17.9	16.7	17.4	17.1	17.6	17.9
x=4H y=3H	17.5	18.0	17.8	18.3	18.6	17.5	18.0	17.8	18.3	18.6
x=4H y=4H	17.6	18.0	17.9	18.3	18.7	17.6	18.0	17.9	18.3	18.7
x=4H y=6H	17.5	17.9	17.9	18.3	18.6	17.5	17.9	17.9	18.3	18.6
x=4H y=8H	17.5	17.8	17.9	18.2	18.6	17.5	17.8	17.9	18.2	18.6
x=4H y=12H	17.5	17.7	17.9	18.1	18.6	17.5	17.7	17.9	18.1	18.6
x=8H y=4H	17.6	17.9	18.0	18.3	18.7	17.6	17.9	18.0	18.3	18.7
x=8H y=6H	17.5	17.8	18.0	18.2	18.6	17.5	17.8	18.0	18.2	18.6
x=8H y=8H	17.5	17.7	17.9	18.1	18.6	17.5	17.7	17.9	18.1	18.6
x=8H y=12H	17.4	17.6	17.9	18.1	18.5	17.4	17.6	17.9	18.1	18.5
x=12H y=4H	17.5	17.8	18.0	18.2	18.6	17.5	17.8	18.0	18.2	18.6
x=12H y=6H	17.5	17.7	17.9	18.1	18.6	17.5	17.7	17.9	18.1	18.6
x=12H y=8H	17.4	17.6	17.9	18.1	18.5	17.4	17.6	17.9	18.1	18.5

## Luminaria

Código 05-E039-05-CL  
Nombre ZOOM

## Ensayo

Código 05-E039-05-CL  
Nombre ZOOM

Flujo Luminaria	130.02 lm	Potencia luminaria	5.80 W	Eficacia	22.42 lm/W	Eficiencia	100.00%
Flujo de Lámpara	130.02 lm	Valor Máximo	18396.87 cd/klm	Posición	C=0.00 G=0.00	CG	Rotosimétrico

Flujo Total=130.02 Flujo Luminaria=130.02

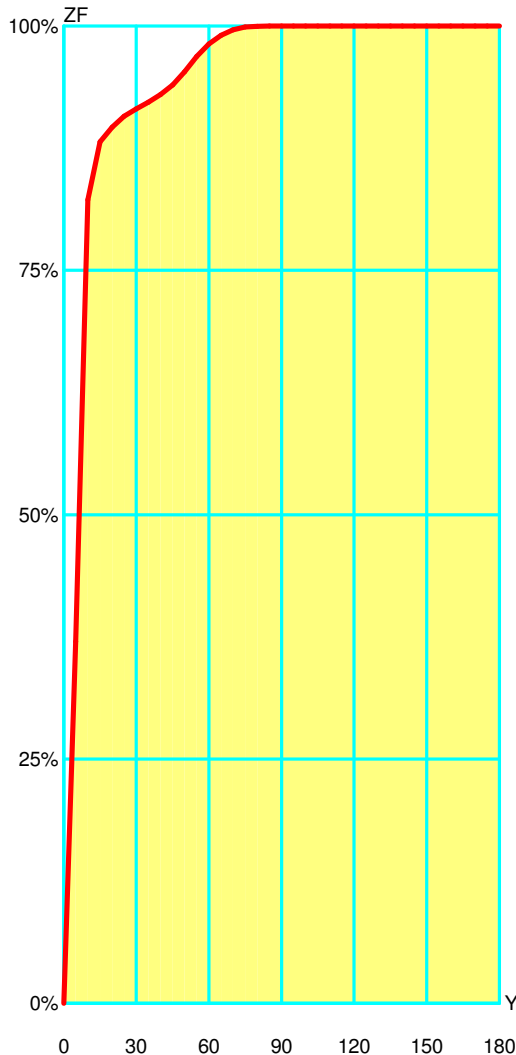
RI	0.60	0.80	1.00	1.25	1.50	2.00	2.50	3.00	4.00	5.00	10.00	20.00
DRR	0.69	0.73	0.78	0.82	0.85	0.90	0.93	0.96	0.98	0.99	1.01	1.02
RC	-	-	-	-	-	-	-	-	-	-	-	-

Flujo Zonal por 1000 Lúmenes

Y°	10	20	30	40	50	60	70	80	90	100	110	120	130	140	150	160	170	180
ZF(Y)	822	897	915	930	953	982	996	1000	1000	1000	1000	1000	1000	1000	1000	1000	1000	1000

Códigos de Flujo C.I.E.  
93 98 100 100 100

C.I.E.	-/-/-/-/-/-/-/-/-/-	LOR	100.00000 %
D DIN 5040	A60	ULOR	0.00000 %
F UTE	1.00 A	DLOR	100.00000 %
B NBN	BZ 1	UFF	0.00000 %
RN	0.00000 %	DFF	100.00000 %
BLF	1.0	FFR	0.00000 %



Flujo Zonal				
Gamma °	Flujo	Suma lm	Flujo [%]	Suma [%]
0°	0.00	0.00	0.00%	0.00 %
5°	370.03	370.03	37.00 %	37.00 %
10°	452.15	822.18	45.22 %	82.22 %
15°	59.14	881.32	5.91 %	88.13 %
20°	15.29	896.61	1.53 %	89.66 %
25°	10.88	907.49	1.09 %	90.75 %
30°	7.76	915.25	0.78 %	91.53 %
35°	6.75	922.00	0.68 %	92.20 %
40°	7.94	929.94	0.79 %	92.99 %
45°	9.97	939.91	1.00 %	93.99 %
50°	13.17	953.08	1.32 %	95.31 %
55°	15.67	968.75	1.57 %	96.88 %
60°	12.94	981.70	1.29 %	98.17 %
65°	8.89	990.59	0.89 %	99.06 %
70°	5.55	996.14	0.55 %	99.61 %
75°	2.79	998.93	0.28 %	99.89 %
80°	0.92	999.86	0.09 %	99.99 %
85°	0.07	999.93	0.01 %	99.99 %
90°	0.07	1000.00	0.01 %	100.00 %
95°	0.00	1000.00	0.00 %	100.00 %
100°	0.00	1000.00	0.00 %	100.00 %
105°	0.00	1000.00	0.00 %	100.00 %
110°	0.00	1000.00	0.00 %	100.00 %
115°	0.00	1000.00	0.00 %	100.00 %
120°	0.00	1000.00	0.00 %	100.00 %
125°	0.00	1000.00	0.00 %	100.00 %
130°	0.00	1000.00	0.00 %	100.00 %
135°	0.00	1000.00	0.00 %	100.00 %
140°	0.00	1000.00	0.00 %	100.00 %
145°	0.00	1000.00	0.00 %	100.00 %
150°	0.00	1000.00	0.00 %	100.00 %
155°	0.00	1000.00	0.00 %	100.00 %
160°	0.00	1000.00	0.00 %	100.00 %
165°	0.00	1000.00	0.00 %	100.00 %
170°	0.00	1000.00	0.00 %	100.00 %
175°	0.00	1000.00	0.00 %	100.00 %
180°	0.00	1000.00	0.00 %	100.00 %



**Luminaria**

 Código 05-E039-05-CL  
 Nombre ZOOM

**Ensayo**

 Código 05-E039-05-CL  
 Nombre ZOOM

Flujo Luminaria	130.02 lm	Potencia luminaria	5.80 W	Eficacia	22.42 lm/W	Eficiencia	100.00%
Flujo de Lámpara	130.02 lm	Valor Máximo	18396.87 cd/klm	Posición	C=0.00 G=0.00	CG	Rotosimétrico

## Utilización CIE

Montaje	Directo	Normalización										Normalizados										Raz. de Susp. 1/3			CIE Estándar		
Techo																											
K	8873	8773	8871	8771	7773	7771	7753	7553	7751	7551	7731	7331	7711	7111	5551	5531	5331	5511	5111	3331	3311	1111	0000				
0.60	167	150	99	89	143	85	96	81	54	46	33	25	18	12	43	27	23	14	11	22	12	11	0				
0.80	200	184	107	99	175	95	125	109	64	56	42	33	25	18	52	35	31	21	18	30	18	16	0				
1.00	223	207	108	101	197	97	149	133	69	62	48	40	32	25	58	41	38	28	24	36	24	22	0				
1.25	246	231	109	104	220	99	174	158	74	68	55	47	40	32	64	48	44	35	30	42	31	28	0				
1.50	263	250	109	105	238	101	194	179	78	73	60	53	46	38	68	53	50	41	36	48	37	34	0				
2.00	286	275	106	102	262	99	225	210	82	77	68	61	56	48	73	61	58	51	46	56	47	43	0				
2.50	301	291	103	100	278	97	247	234	84	80	73	67	64	56	76	67	64	59	54	62	54	51	0				
3.00	312	304	100	98	290	95	263	251	86	82	77	71	69	62	78	71	69	64	60	66	60	56	0				
4.00	328	322	100	98	308	96	287	276	89	86	83	78	77	71	83	77	75	73	69	73	69	65	0				
5.00	339	333	99	98	319	96	302	293	91	89	87	83	83	77	86	82	80	78	75	77	74	71	0				
10.00	362	359	99	99	345	97	337	332	96	95	95	93	95	91	92	92	91	91	89	88	88	85	0				
20.00	376	374	100	100	359	98	357	354	99	99	100	99	101	100	96	97	97	98	97	94	96	93	0				

## Pared

K	8873	8773	8871	8771	7773	7771	7753	7553	7751	7551	7731	7331	7711	7111	5551	5531	5331	5511	5111	3331	3311	1111	0000
0.60	298	289	213	208	284	205	224	218	166	162	139	136	119	118	160	136	135	118	117	134	117	117	94
0.80	333	323	227	222	316	218	257	249	182	178	156	152	137	134	176	153	151	135	133	150	133	132	106
1.00	349	339	225	221	329	217	275	265	185	181	162	157	144	140	178	157	155	141	139	154	139	137	108
1.25	366	356	225	221	344	217	294	284	189	186	168	164	151	147	181	163	161	148	145	158	145	143	110
1.50	377	368	223	220	354	215	308	297	191	187	172	167	156	152	182	166	164	152	149	161	148	145	110
2.00	378	370	204	201	353	196	315	304	178	175	163	159	151	146	169	156	154	145	143	150	141	137	98
2.50	372	365	184	182	346	177	313	303	163	160	151	147	141	136	153	143	141	135	132	137	129	124	83
3.00	361	354	162	161	334	156	307	297	145	143	136	132	128	123	135	128	126	121	118	120	114	109	66
4.00	354	348	142	141	326	135	304	296	128	126	122	118	116	111	118	112	111	108	105	104	100	94	48
5.00	345	340	124	123	316	118	298	291	113	111	108	105	103	99	102	98	97	94	92	89	86	79	32
10.00	282	279	44	43	252	37	244	239	36	35	36	34	35	32	25	25	24	24	23	15	14	5	0
20.00	164	162	0	0	132	0	130	127	0	0	0	0	0	0	0	0	0	0	0	0	0	0	0

## P.Trab.

K	8873	8773	8871	8771	7773	7771	7753	7553	7751	7551	7731	7331	7711	7111	5551	5531	5331	5511	5111	3331	3311	1111	0000
0.60	875	865	816	811	859	808	786	779	757	753	722	719	697	695	750	719	718	696	695	717	695	694	685
0.80	943	932	869	863	922	858	849	840	810	806	776	771	750	747	802	771	769	747	746	768	746	744	735
1.00	1000	990	913	908	977	902	908	898	859	854	827	822	803	798	849	821	819	799	797	816	796	794	785
1.25	1000	1000	947	942	1000	936	959	946	898	893	869	863	845	840	886	861	858	840	837	855	836	833	824
1.50	1000	1000	971	967	1000	960	997	984	926	921	899	893	877	871	913	890	887	871	868	883	866	861	853
2.00	1000	1000	1000	1000	1000	996	1000	1000	971	967	950	944	932	925	956	939	936	923	920	929	916	910	902
2.50	1000	1000	1000	1000	1000	1000	1000	1000	999	995	983	977	969	961	984	970	967	958	954	959	949	941	934
3.00	1000	1000	1000	1000	1000	1000	1000	1000	1000	1000	1000	1000	1000	995	988	1000	992	990	983	979	980	972	963
4.00	1000	1000	1000	1000	1000	1000	1000	1000	1000	1000	1000	1000	1000	1000	1000	1000	1000	1000	1000	1000	1000	994	983
5.00	1000	1000	1000	1000	1000	1000	1000	1000	1000	1000	1000	1000	1000	1000	1000	1000	1000	1000	1000	1000	1000	994	987
10.00	1000	1000	1000	1000	1000	1000	1000	1000	1000	1000	1000	1000	1000	1000	1000	1000	1000	1000	1000	1000	1000	1000	1000
20.00	1000	1000	1000	1000	1000	1000	1000	1000	1000	1000	1000	1000	1000	1000	1000	1000	1000	1000	1000	1000	1000	1000	1000

LM53 SHR C0-C180: 0.219    SHR C90-C270: 0.219    SHR Superficial: 0.209

# LEDS C4<sup>+</sup>

## Luminaria

Código 05-E039-05-CL  
Nombre ZOOM

## Ensayo

Código 05-E039-05-CL  
Nombre ZOOM

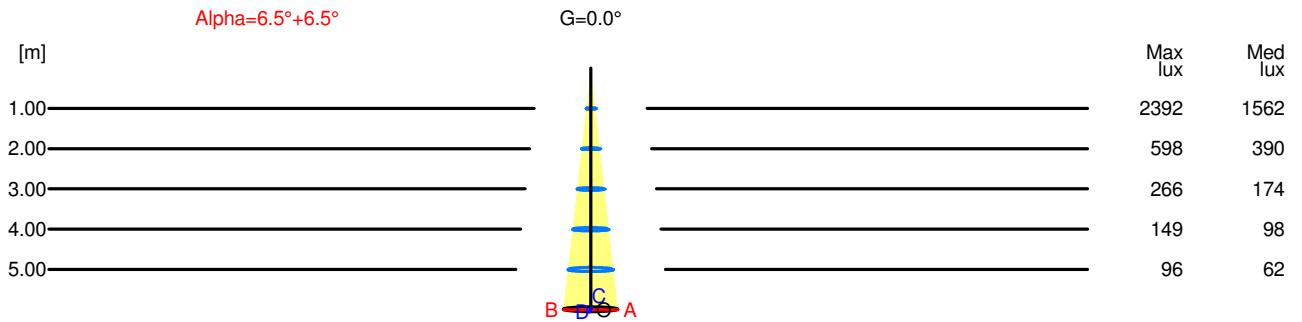
Flujo Luminaria	130.02 lm	Potencia luminaria	5.80 W	Eficacia	22.42 lm/W	Eficiencia	100.00%
Flujo de Lámpara	130.02 lm	Valor Máximo	18396.87 cd/klm	Posición	C=0.00 G=0.00	CG	Rotosimétrico

### Apertura a 50.00 % de Max Intensidad

H[m]	1.00	2.00	3.00	4.00	5.00	H[m]	1.00	2.00	3.00	4.00	5.00
OA	0.11	0.23	0.34	0.45	0.57	OC	0.11	0.23	0.34	0.45	0.57
OB	0.11	0.23	0.34	0.45	0.57	OD	0.11	0.23	0.34	0.45	0.57

### Intensidades Luminosas [ cd/klm]

	0	5	15	25	35	45	55	65	75	85
OA	2391.96	1648.51	15.67	4.76	2.68	3.74	4.34	1.89	0.42	0.01
OB	2391.96	1648.51	15.67	4.76	2.68	3.74	4.34	1.89	0.42	0.01
OC	2391.96	1648.51	15.67	4.76	2.68	3.74	4.34	1.89	0.42	0.01
OD	2391.96	1648.51	15.67	4.76	2.68	3.74	4.34	1.89	0.42	0.01



H[m]	D[m]	Max lux	Med lux	Alpha=6.5°+6.5°	G=0.0
1.00	0.23	2392	1562		
2.00	0.45	598	390		
3.00	0.68	266	174		
4.00	0.91	149	98		
5.00	1.14	96	62		

**Luminaria**

Código 05-E039-05-CL  
Nombre ZOOM

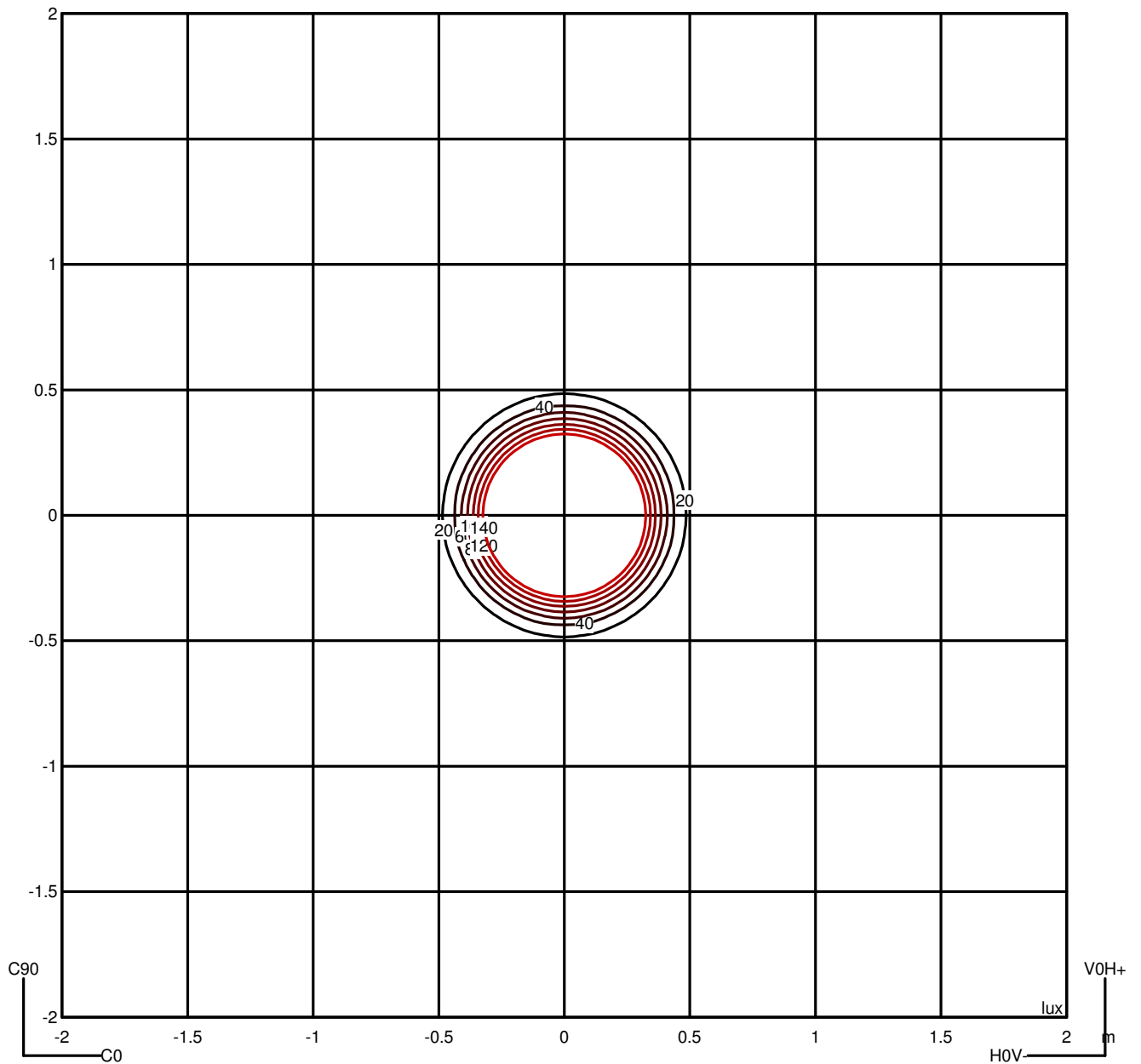
**Ensayo**

Código 05-E039-05-CL  
Nombre ZOOM

Flujo Luminaria	130.02 lm	Potencia luminaria	5.80 W	Eficacia	22.42 lm/W	Eficiencia	100.00%
Flujo de Lámpara	130.02 lm	Valor Máximo	18396.87 cd/klm	Posición	C=0.00 G=0.00	CG	Rotosimétrico

Isolux (Suelo)

Posición Luminaria X=0.00m Y=0.00m Z=2.50m



# LEDS C4<sup>®</sup>

**Luminaria**

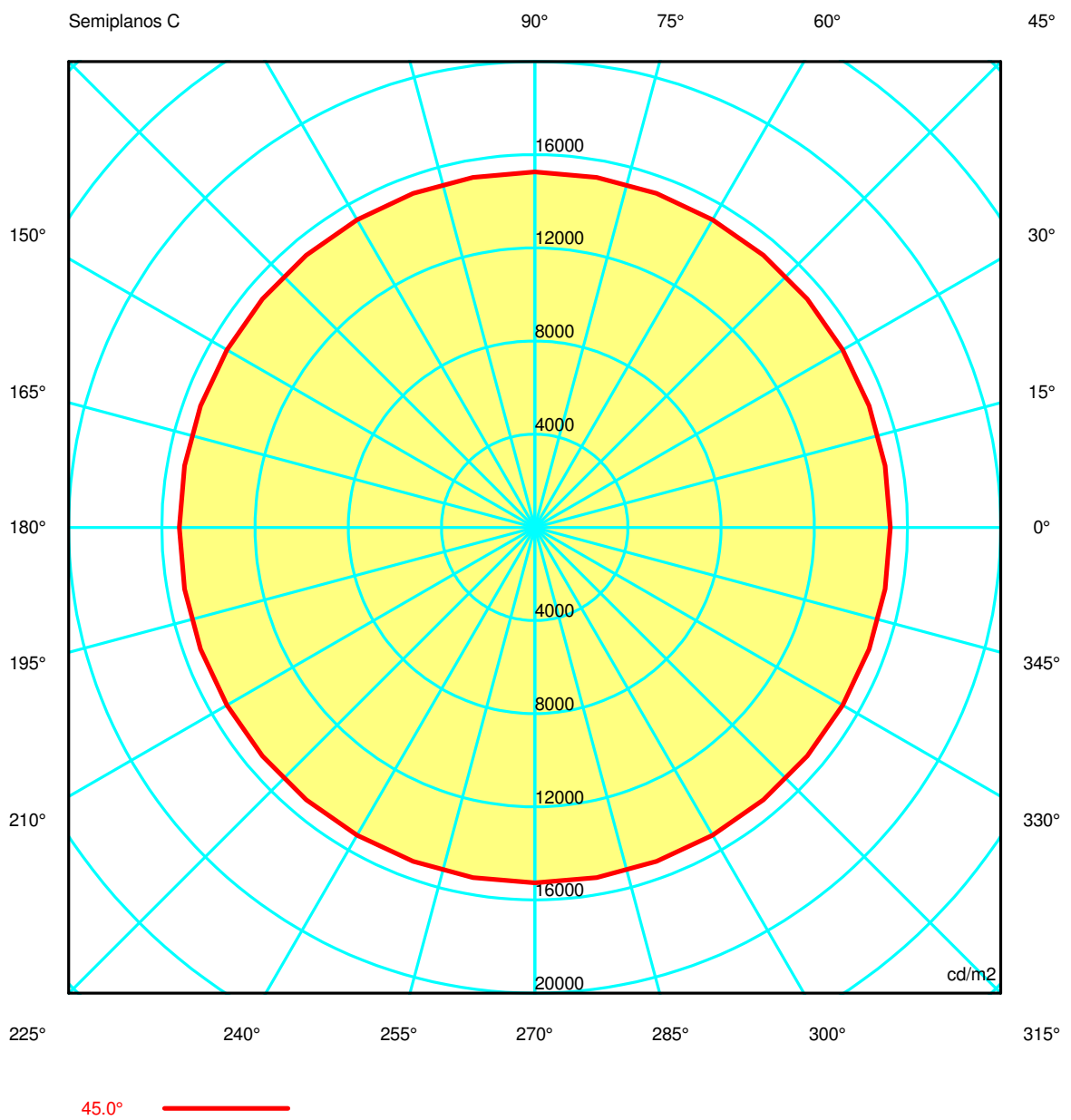
Código 05-E039-05-CL  
Nombre ZOOM

**Ensayo**

Código 05-E039-05-CL  
Nombre ZOOM

Flujo Luminaria	130.02 lm	Potencia luminaria	5.80 W	Eficacia	22.42 lm/W	Eficiencia	100.00%
Flujo de Lámpara	130.02 lm	Valor Máximo	18396.87 cd/klm	Posición	C=0.00 G=0.00	CG	Rotosimétrico

Luminancia



**Luminaria**

Código 05-E039-05-CL

Nombre ZOOM

**Ensayo**

Código 05-E039-05-CL

Nombre ZOOM

Flujo Luminaria	130.02 lm	Potencia luminaria	5.80 W	Eficacia	22.42 lm/W	Eficiencia	100.00%
Flujo de Lámpara	130.02 lm	Valor Máximo	18396.87 cd/klm	Posición	C=0.00 G=0.00	CG	Rotosimétrico

**Luminance cd/m2 Tabla 1/3**

	C 0.00	C 10.00	C 20.00	C 30.00	C 40.00	C 50.00	C 60.00	C 70.00	C 80.00	C 90.00	C 100.00	C 110.00	C 120.00
G 0.0	6905978.64	6905978.64	6905978.64	6905978.64	6905978.64	6905978.64	6905978.64	6905978.64	6905978.64	6905978.64	6905978.64	6905978.64	6905978.64
G 5.0	4777700.77	4777700.77	4777700.77	4777700.77	4777700.77	4777700.77	4777700.77	4777700.77	4777700.77	4777700.77	4777700.77	4777700.77	4777700.77
G 10.0	714594.95	714594.95	714594.95	714594.95	714594.95	714594.95	714594.95	714594.95	714594.95	714594.95	714594.95	714594.95	714594.95
G 15.0	46832.74	46832.74	46832.74	46832.74	46832.74	46832.74	46832.74	46832.74	46832.74	46832.74	46832.74	46832.74	46832.74
G 20.0	27708.01	27708.01	27708.01	27708.01	27708.01	27708.01	27708.01	27708.01	27708.01	27708.01	27708.01	27708.01	27708.01
G 25.0	15158.02	15158.02	15158.02	15158.02	15158.02	15158.02	15158.02	15158.02	15158.02	15158.02	15158.02	15158.02	15158.02
G 30.0	11905.81	11905.81	11905.81	11905.81	11905.81	11905.81	11905.81	11905.81	11905.81	11905.81	11905.81	11905.81	11905.81
G 35.0	9438.60	9438.60	9438.60	9438.60	9438.60	9438.60	9438.60	9438.60	9438.60	9438.60	9438.60	9438.60	9438.60
G 40.0	12954.18	12954.18	12954.18	12954.18	12954.18	12954.18	12954.18	12954.18	12954.18	12954.18	12954.18	12954.18	12954.18
G 45.0	15261.49	15261.49	15261.49	15261.49	15261.49	15261.49	15261.49	15261.49	15261.49	15261.49	15261.49	15261.49	15261.49
G 50.0	20980.02	20980.02	20980.02	20980.02	20980.02	20980.02	20980.02	20980.02	20980.02	20980.02	20980.02	20980.02	20980.02
G 55.0	21842.36	21842.36	21842.36	21842.36	21842.36	21842.36	21842.36	21842.36	21842.36	21842.36	21842.36	21842.36	21842.36
G 60.0	17306.92	17306.92	17306.92	17306.92	17306.92	17306.92	17306.92	17306.92	17306.92	17306.92	17306.92	17306.92	17306.92
G 65.0	12878.77	12878.77	12878.77	12878.77	12878.77	12878.77	12878.77	12878.77	12878.77	12878.77	12878.77	12878.77	12878.77
G 70.0	8618.81	8618.81	8618.81	8618.81	8618.81	8618.81	8618.81	8618.81	8618.81	8618.81	8618.81	8618.81	8618.81
G 75.0	4695.48	4695.48	4695.48	4695.48	4695.48	4695.48	4695.48	4695.48	4695.48	4695.48	4695.48	4695.48	4695.48
G 80.0	1003.73	1003.73	1003.73	1003.73	1003.73	1003.73	1003.73	1003.73	1003.73	1003.73	1003.73	1003.73	1003.73
G 85.0	408.10	408.10	408.10	408.10	408.10	408.10	408.10	408.10	408.10	408.10	408.10	408.10	408.10
G 90.0	0.00	0.00	0.00	0.00	0.00	0.00	0.00	0.00	0.00	0.00	0.00	0.00	0.00

**Luminaria**

Código 05-E039-05-CL

Nombre ZOOM

**Ensayo**

Código 05-E039-05-CL

Nombre ZOOM

Flujo Luminaria	130.02 lm	Potencia luminaria	5.80 W	Eficacia	22.42 lm/W	Eficiencia	100.00%
Flujo de Lámpara	130.02 lm	Valor Máximo	18396.87 cd/klm	Posición	C=0.00 G=0.00	CG	Rotosimétrico

**Luminance cd/m2 Tabla 2/3**

	C 130.00	C 140.00	C 150.00	C 160.00	C 170.00	C 180.00	C 190.00	C 200.00	C 210.00	C 220.00	C 230.00	C 240.00	C 250.00
G 0.0	6905978.64	6905978.64	6905978.64	6905978.64	6905978.64	6905978.64	6905978.64	6905978.64	6905978.64	6905978.64	6905978.64	6905978.64	6905978.64
G 5.0	4777700.77	4777700.77	4777700.77	4777700.77	4777700.77	4777700.77	4777700.77	4777700.77	4777700.77	4777700.77	4777700.77	4777700.77	4777700.77
G 10.0	714594.95	714594.95	714594.95	714594.95	714594.95	714594.95	714594.95	714594.95	714594.95	714594.95	714594.95	714594.95	714594.95
G 15.0	46832.74	46832.74	46832.74	46832.74	46832.74	46832.74	46832.74	46832.74	46832.74	46832.74	46832.74	46832.74	46832.74
G 20.0	27708.01	27708.01	27708.01	27708.01	27708.01	27708.01	27708.01	27708.01	27708.01	27708.01	27708.01	27708.01	27708.01
G 25.0	15158.02	15158.02	15158.02	15158.02	15158.02	15158.02	15158.02	15158.02	15158.02	15158.02	15158.02	15158.02	15158.02
G 30.0	11905.81	11905.81	11905.81	11905.81	11905.81	11905.81	11905.81	11905.81	11905.81	11905.81	11905.81	11905.81	11905.81
G 35.0	9438.60	9438.60	9438.60	9438.60	9438.60	9438.60	9438.60	9438.60	9438.60	9438.60	9438.60	9438.60	9438.60
G 40.0	12954.18	12954.18	12954.18	12954.18	12954.18	12954.18	12954.18	12954.18	12954.18	12954.18	12954.18	12954.18	12954.18
G 45.0	15261.49	15261.49	15261.49	15261.49	15261.49	15261.49	15261.49	15261.49	15261.49	15261.49	15261.49	15261.49	15261.49
G 50.0	20980.02	20980.02	20980.02	20980.02	20980.02	20980.02	20980.02	20980.02	20980.02	20980.02	20980.02	20980.02	20980.02
G 55.0	21842.36	21842.36	21842.36	21842.36	21842.36	21842.36	21842.36	21842.36	21842.36	21842.36	21842.36	21842.36	21842.36
G 60.0	17306.92	17306.92	17306.92	17306.92	17306.92	17306.92	17306.92	17306.92	17306.92	17306.92	17306.92	17306.92	17306.92
G 65.0	12878.77	12878.77	12878.77	12878.77	12878.77	12878.77	12878.77	12878.77	12878.77	12878.77	12878.77	12878.77	12878.77
G 70.0	8618.81	8618.81	8618.81	8618.81	8618.81	8618.81	8618.81	8618.81	8618.81	8618.81	8618.81	8618.81	8618.81
G 75.0	4695.48	4695.48	4695.48	4695.48	4695.48	4695.48	4695.48	4695.48	4695.48	4695.48	4695.48	4695.48	4695.48
G 80.0	1003.73	1003.73	1003.73	1003.73	1003.73	1003.73	1003.73	1003.73	1003.73	1003.73	1003.73	1003.73	1003.73
G 85.0	408.10	408.10	408.10	408.10	408.10	408.10	408.10	408.10	408.10	408.10	408.10	408.10	408.10
G 90.0	0.00	0.00	0.00	0.00	0.00	0.00	0.00	0.00	0.00	0.00	0.00	0.00	0.00

**Luminaria**

Código 05-E039-05-CL  
Nombre ZOOM

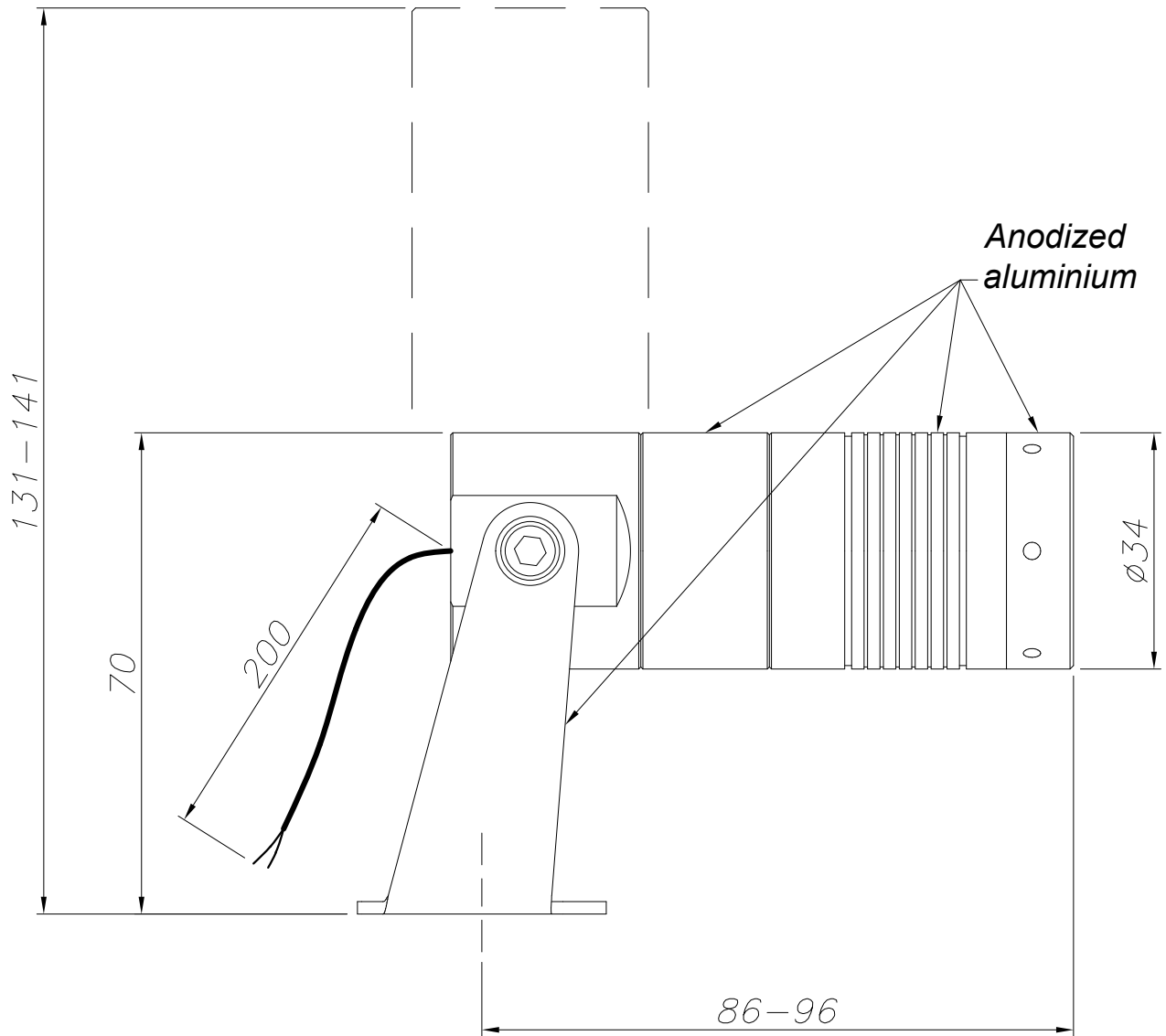
**Ensayo**

Código 05-E039-05-CL  
Nombre ZOOM

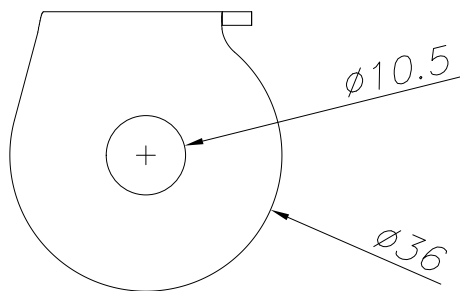
Flujo Luminaria	130.02 lm	Potencia luminaria	5.80 W	Eficacia	22.42 lm/W	Eficiencia	100.00%
Flujo de Lámpara	130.02 lm	Valor Máximo	18396.87 cd/klm	Posición	C=0.00 G=0.00	CG	Rotosimétrico

**Luminance cd/m2 Tabla 3/3**

	C 260.00	C 270.00	C 280.00	C 290.00	C 300.00	C 310.00	C 320.00	C 330.00	C 340.00	C 350.00
G 0.0	6905978.64	6905978.64	6905978.64	6905978.64	6905978.64	6905978.64	6905978.64	6905978.64	6905978.64	6905978.64
G 5.0	4777700.77	4777700.77	4777700.77	4777700.77	4777700.77	4777700.77	4777700.77	4777700.77	4777700.77	4777700.77
G 10.0	714594.95	714594.95	714594.95	714594.95	714594.95	714594.95	714594.95	714594.95	714594.95	714594.95
G 15.0	46832.74	46832.74	46832.74	46832.74	46832.74	46832.74	46832.74	46832.74	46832.74	46832.74
G 20.0	27708.01	27708.01	27708.01	27708.01	27708.01	27708.01	27708.01	27708.01	27708.01	27708.01
G 25.0	15158.02	15158.02	15158.02	15158.02	15158.02	15158.02	15158.02	15158.02	15158.02	15158.02
G 30.0	11905.81	11905.81	11905.81	11905.81	11905.81	11905.81	11905.81	11905.81	11905.81	11905.81
G 35.0	9438.60	9438.60	9438.60	9438.60	9438.60	9438.60	9438.60	9438.60	9438.60	9438.60
G 40.0	12954.18	12954.18	12954.18	12954.18	12954.18	12954.18	12954.18	12954.18	12954.18	12954.18
G 45.0	15261.49	15261.49	15261.49	15261.49	15261.49	15261.49	15261.49	15261.49	15261.49	15261.49
G 50.0	20980.02	20980.02	20980.02	20980.02	20980.02	20980.02	20980.02	20980.02	20980.02	20980.02
G 55.0	21842.36	21842.36	21842.36	21842.36	21842.36	21842.36	21842.36	21842.36	21842.36	21842.36
G 60.0	17306.92	17306.92	17306.92	17306.92	17306.92	17306.92	17306.92	17306.92	17306.92	17306.92
G 65.0	12878.77	12878.77	12878.77	12878.77	12878.77	12878.77	12878.77	12878.77	12878.77	12878.77
G 70.0	8618.81	8618.81	8618.81	8618.81	8618.81	8618.81	8618.81	8618.81	8618.81	8618.81
G 75.0	4695.48	4695.48	4695.48	4695.48	4695.48	4695.48	4695.48	4695.48	4695.48	4695.48
G 80.0	1003.73	1003.73	1003.73	1003.73	1003.73	1003.73	1003.73	1003.73	1003.73	1003.73
G 85.0	408.10	408.10	408.10	408.10	408.10	408.10	408.10	408.10	408.10	408.10
G 90.0	0.00	0.00	0.00	0.00	0.00	0.00	0.00	0.00	0.00	0.00

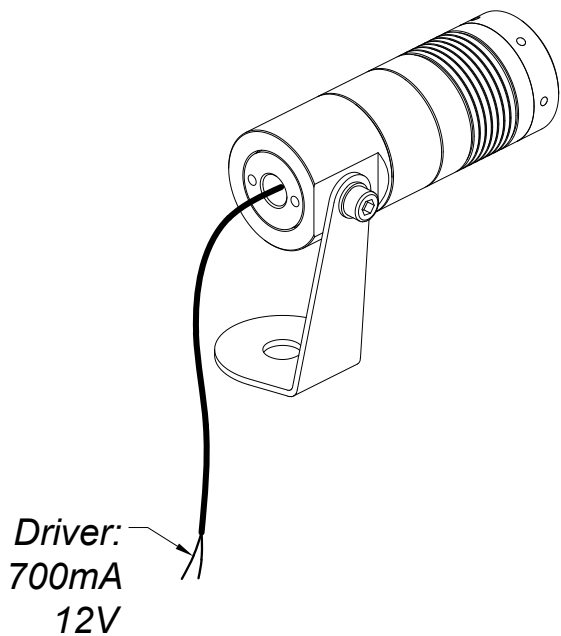
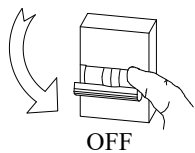


## INSTALLATION TEMPLATE

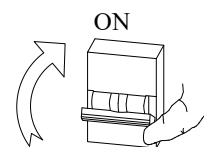
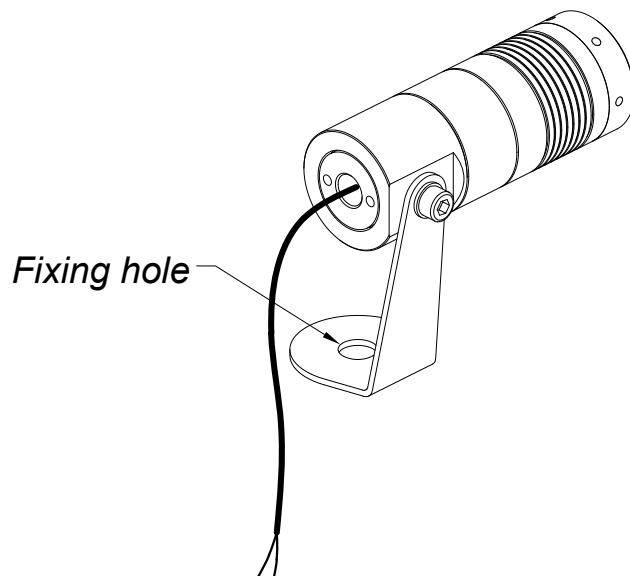




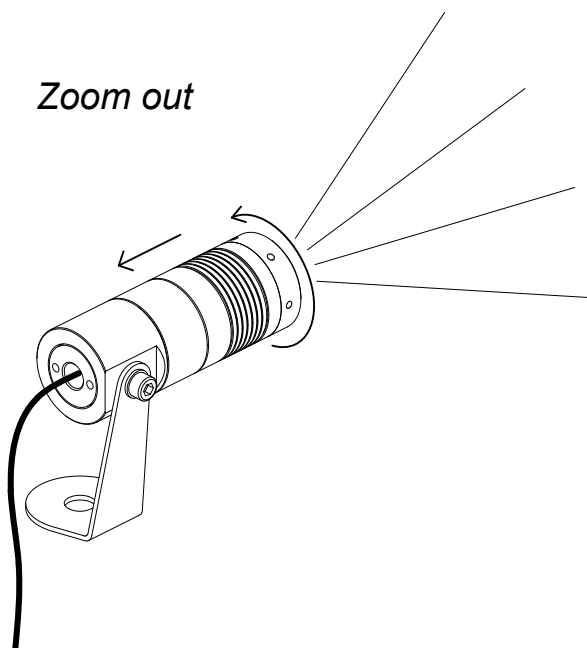
1



2



Zoom out



Zoom in

