

MEDUSA Lampadaire

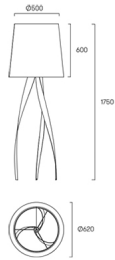
Designer: Ramon Valls

25-1824-BW-T002 V0



Finition
Blanc mat
Gris

Matière
Aluminium
Abat-jour en toile



CARACTÉRISTIQUES TECHNIQUES

Source lumineuse

Douille : 1 x E27
Puissance (W): 30W
Consommation totale (W): 30
Dimension maxi. Ampoule: 195/60 mm
Lumens réels: 539
Quantité: 1
Lm/W réels: 18
Facteur UGR: 0.5

ÉQUIPEMENT

Tension / Fréquence:
220-240V/50-60Hz

Luminaire

Garantie: 2 Ans

Logistique

Efficacité énergétique: LAMPE NON INCLUSE
Code EAN: 8435381408381
Poids net (kg): 3.290
Poids en kg (emballé): 6.120
Boîte: 635 x 640 x 650
Masterbox: 1

La finition de la photographie peut ne pas coïncider avec celle de la référence. Pour identifier la finition réelle, voir la description de cette dernière.

ACCESSOIRES EN OPTION



71-1759-BW-BW

Accessoire pour zones de passage

Matière structure: Acier

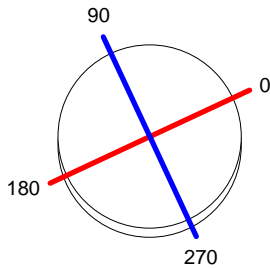
Dimensions: 550 x x

Poids net (kg): 0.595

Luminaire		Measur.		Lamp	
Code	25-1824-BW-T002	Code	25-1824-BW-T002	Code	DLX EL FCY 18W827E27
Name	Pie ESTRUC 18W TC N193 T002	Name	Pie ESTRUC 18W TC N193 T002	Number	1
Line	- LEDS-C4	Date	22-07-2013	Position	Universal
Efficiency	49.03%	Coordinate system	CG	Total Flux	1100.00 lm
Maximum value	121.85 cd	Position	C=0.00 G=140.00	Asymmetrical	
Round Luminaire	Diam.	620 mm	Height	600 mm	
Round Luminous Area	Diam.	620 mm	Height	600 mm	
Horizontal Luminous Area	0.301907 m2	Emitting area on Plane 180°		0.372000 m2	
Emitting area on Plane 0°	0.372000 m2	Emitting area on Plane 270°		0.372000 m2	
Emitting area on Plane 90°	0.372000 m2	Glare area at 76°		0.433988 m2	
Symmetry Type	Asymmetrical	Maximum Gamma Angle		180	
Measurement Distance	6.44	Measurement Flux		917.00 lm	
Operator	Asselum T2	Source voltage		230.00 V	
Temperature	25.00 °C	Source current		PRC	
Humidity	51.00 %	Photocell			
Notes					

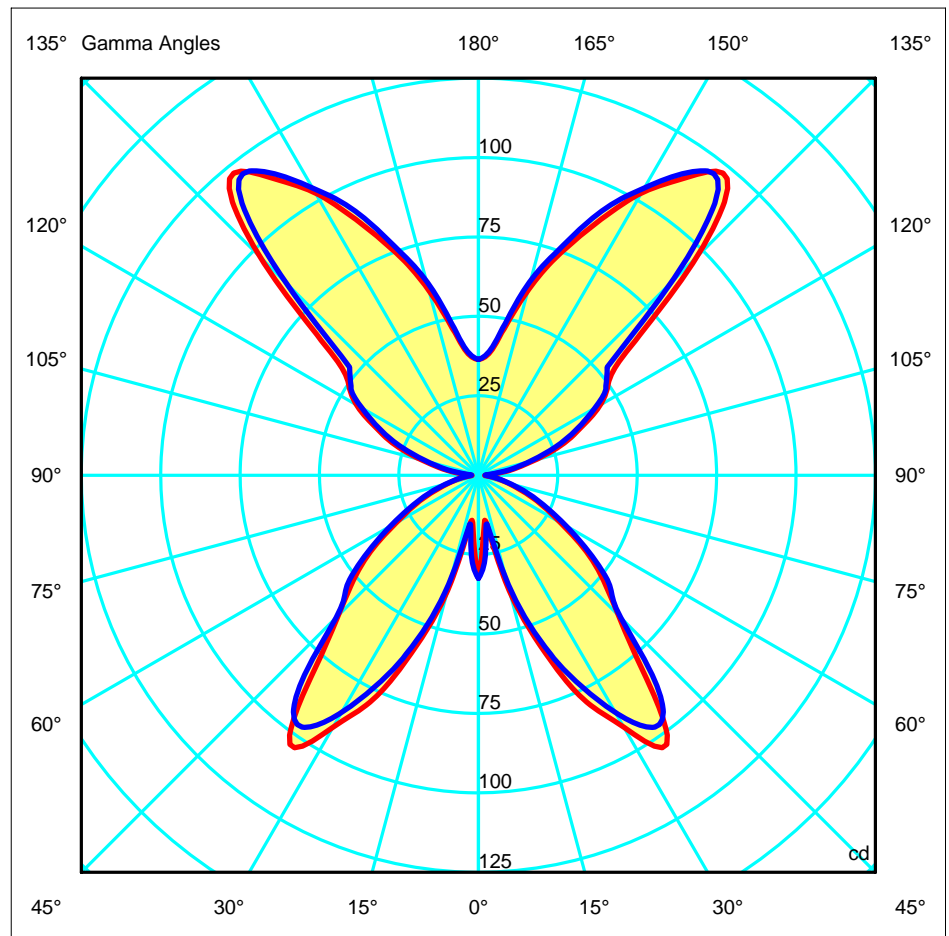
Luminaire Lamps					
Line	Code	Name	Flux [lm]	Pow. [W]	Q.ty
OSRAM 2006 FB,T,G,C,FS,Q,M,D	DLX EL FCY 18W827E27	DULUX® EL FACILITY 18W/827 E27	1100.00	18.00	1
C.I.E.	48 83 96 44 49	D DIN 5040	C32		
F UTE	0.21 E + 0.28 T	B NBN	BZ 5 / 1 / BZ 4		

Diam=620mm



C Halfplanes
 180.0 — 0.0
 270.0 — 90.0

ULOR 27.66 %
 DLOR 21.37 %
 RN 56.41 %



Luminaire	Measur.	Lamp
Code 25-1824-BW-T002	Code 25-1824-BW-T002	Code DLX EL FCY 18W827E27
Name Pie ESTRUC 18W TC N193 T002	Name Pie ESTRUC 18W TC N193 T002	Number 1
Line - LEDS-C4	Date 22-07-2013	Position Universal

Efficiency 49.03%	Coordinate system CG	Total Flux 1100.00 lm
-------------------	----------------------	-----------------------

	Luminous Intensity Table cd Table 1/1											
	C 0.00	C 15.00	C 30.00	C 45.00	C 60.00	C 75.00	C 90.00	C 105.00	C 120.00	C 135.00	C 150.00	C 165.00
G 0.0	32.48	32.48	32.48	32.48	32.48	32.48	32.48	32.48	32.48	32.48	32.48	32.48
G 5.0	18.51	20.40	25.56	21.37	24.45	20.98	25.21	20.98	24.45	21.37	25.56	20.40
G 10.0	16.20	15.31	15.04	16.51	15.43	16.39	15.58	16.39	15.43	16.51	15.04	15.31
G 15.0	37.61	32.24	29.22	29.57	33.76	32.72	34.13	32.72	33.76	29.57	29.22	32.24
G 20.0	57.12	53.71	53.90	52.36	52.65	54.39	53.73	54.39	52.65	52.36	53.90	53.71
G 25.0	77.49	72.81	71.46	71.43	70.91	72.63	70.84	72.63	70.91	71.43	71.46	72.81
G 30.0	91.60	88.91	85.83	87.96	87.04	87.91	86.09	87.91	87.04	87.96	85.83	88.91
G 35.0	103.43	100.47	98.56	100.91	98.76	101.30	96.79	101.30	98.76	100.91	98.56	100.47
G 40.0	80.79	89.99	92.56	92.66	90.72	93.60	88.16	93.60	90.72	92.66	92.56	89.99
G 45.0	62.35	63.98	63.33	64.40	63.28	63.10	63.34	63.10	63.28	64.40	63.33	63.98
G 50.0	51.32	54.24	54.60	54.29	52.90	54.04	53.99	54.04	52.90	54.29	54.60	54.24
G 55.0	41.08	43.27	43.47	43.33	42.84	43.07	42.78	43.07	42.84	43.33	43.47	43.27
G 60.0	29.68	32.63	32.59	32.46	33.04	32.40	31.98	32.40	33.04	32.46	32.59	32.63
G 65.0	22.06	23.48	24.05	23.74	23.17	23.92	23.13	23.92	23.17	23.74	24.05	23.48
G 70.0	15.14	16.87	16.15	16.21	16.66	16.25	16.65	16.25	16.66	16.21	16.15	16.87
G 75.0	9.70	10.69	11.05	11.11	10.42	11.00	10.36	11.00	10.42	11.11	11.05	10.69
G 80.0	6.00	6.66	6.46	6.72	6.60	6.46	6.53	6.46	6.60	6.72	6.46	6.66
G 85.0	2.71	3.46	3.34	3.39	3.33	3.39	3.53	3.39	3.33	3.39	3.34	3.46
G 90.0	2.22	2.21	2.23	2.24	2.23	2.20	2.20	2.20	2.23	2.24	2.23	2.21
G 95.0	5.33	4.08	4.09	4.26	3.60	4.09	3.53	4.09	3.60	4.26	4.09	4.08
G100.0	11.26	9.97	9.28	9.45	9.88	9.48	9.90	9.48	9.88	9.45	9.28	9.97
G105.0	18.36	16.72	17.53	17.09	16.62	16.99	16.65	16.99	16.62	17.09	17.53	16.72
G110.0	27.93	25.74	25.39	25.36	26.23	25.42	25.59	25.42	26.23	25.36	25.39	25.74
G115.0	35.73	34.15	34.30	34.19	33.96	34.19	34.16	34.19	33.96	34.19	34.30	34.15
G120.0	44.37	42.27	42.29	42.20	41.65	42.38	42.36	42.38	41.65	42.20	42.29	42.27
G125.0	49.87	48.89	48.67	48.86	48.67	48.75	48.98	48.75	48.67	48.86	48.67	48.89
G130.0	61.52	55.23	55.49	55.25	53.40	54.30	52.91	54.30	53.40	55.25	55.49	55.23
G135.0	97.12	88.01	83.22	82.60	85.13	82.24	85.71	82.24	85.13	83.22	88.01	97.12
G140.0	121.85	118.60	118.20	117.93	116.64	120.52	117.47	120.52	116.64	117.93	118.20	118.60
G145.0	114.43	117.85	117.12	117.98	115.83	118.39	116.56	118.39	115.83	117.98	117.12	117.85
G150.0	102.57	105.17	105.18	105.61	103.94	105.90	104.49	105.90	103.94	105.61	105.18	105.17
G155.0	87.43	91.42	91.16	91.55	91.47	91.54	91.71	91.54	91.47	91.55	91.16	91.42
G160.0	73.86	76.51	77.82	77.43	75.81	77.52	76.38	77.52	75.81	77.43	77.82	76.51
G165.0	60.26	63.55	62.50	62.55	63.09	62.34	63.42	62.34	63.09	62.55	62.50	63.55
G170.0	46.88	49.46	50.02	50.13	48.28	50.02	48.46	50.02	48.28	50.13	50.02	49.46
G175.0	38.49	39.75	39.36	39.90	39.26	39.34	39.10	39.34	39.26	39.90	39.36	39.75
G180.0	36.47	36.47	36.47	36.47	36.47	36.47	36.47	36.47	36.47	36.47	36.47	36.47

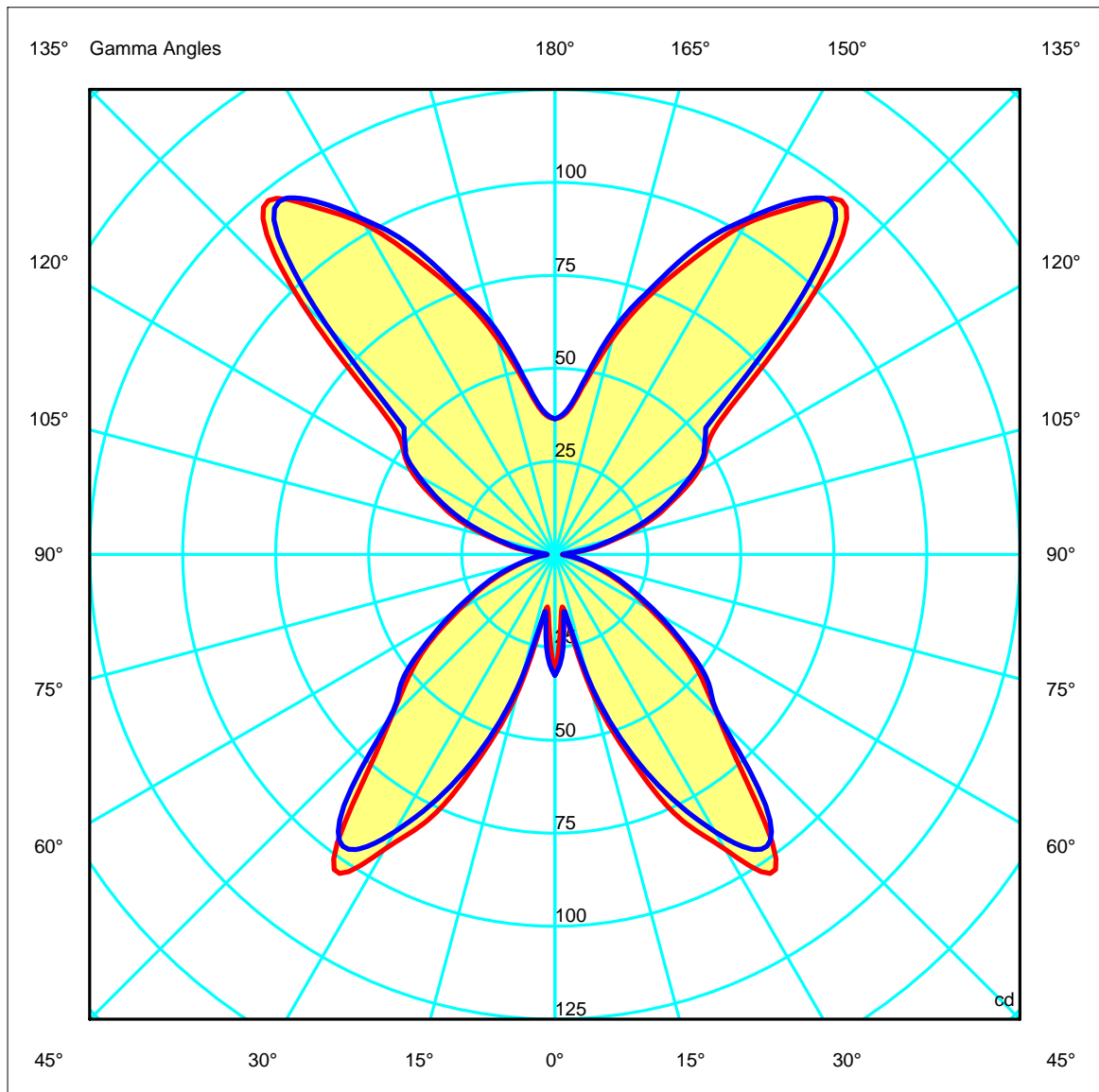
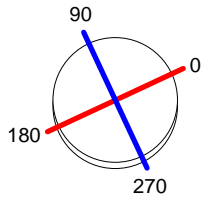
	C 180.00	C 195.00	C 210.00	C 225.00	C 240.00	C 255.00	C 270.00	C 285.00	C 300.00	C 315.00	C 330.00	C 345.00
G 0.0	32.48	32.48	32.48	32.48	32.48	32.48	32.48	32.48	32.48	32.48	32.48	32.48
G 5.0	18.51	20.40	25.56	21.37	24.45	20.98	25.21	20.98	24.45	21.37	25.56	20.40
G 10.0	16.20	15.31	15.04	16.51	15.43	16.39	15.58	16.39	15.43	16.51	15.04	15.31
G 15.0	37.61	32.24	29.22	29.57	33.76	32.72	34.13	32.72	33.76	29.57	29.22	32.24
G 20.0	57.12	53.71	53.90	52.36	52.65	54.39	53.73	54.39	52.65	52.36	53.90	53.71
G 25.0	77.49	72.81	71.46	71.43	70.91	72.63	70.84	72.63	70.91	71.43	71.46	72.81
G 30.0	91.60	88.91	85.83	87.96	87.04	87.91	86.09	87.91	87.04	87.96	85.83	88.91
G 35.0	103.43	100.47	98.56	100.91	98.76	101.30	96.79	101.30	98.76	100.91	98.56	100.47
G 40.0	80.79	89.99	92.56	92.66	90.72	93.60	88.16	93.60	90.72	92.66	92.56	89.99
G 45.0	62.35	63.98	63.33	64.40	63.28	63.10	63.34	63.10	63.28	64.40	63.33	63.98
G 50.0	51.32	54.24	54.60	54.29	52.90	54.04	53.99	54.04	52.90	54.29	54.60	54.24
G 55.0	41.08	43.27	43.47	43.33	42.84	43.07	42.78	43.07	42.84	43.33	43.47	43.27
G 60.0	29.68	32.63	32.59	32.46	33.04	32.40	31.98	32.40	33.04	32.46	32.59	32.63
G 65.0	22.06	23.48	24.05	23.74	23.17	23.92	23.13	23.92	23.17	23.74	24.05	23.48
G 70.0	15.14	16.87	16.15	16.21	16.66	16.25	16.65	16.25	16.66	16.21	16.15	16.87
G 75.0	9.70	10.69	11.05	11.11	10.42	11.00	10.36	11.00	10.42	11.11	11.05	10.69
G 80.0	6.00	6.66	6.46	6.72	6.60	6.46	6.53	6.46	6.60	6.72	6.46	6.66
G 85.0	2.71	3.46	3.34	3.39	3.33	3.39	3.53	3.39	3.33	3.39	3.34	3.46
G 90.0	2.22	2.21	2.23	2.24	2.23	2.20	2.20	2.20	2.23	2.24	2.23	2.21
G 95.0	5.33	4.08	4.09	4.26	3.60	4.09	3.53	4.09	3.60	4.26	4.09	4.08
G100.0	11.26	9.97	9.28	9.45	9.88	9.48	9.90	9.48	9.88	9.45	9.28	9.97
G105.0	18.36	16.72	17.53	17.09	16.62	16.99	16.65	16.99	16.62	17.09	17.53	16.72
G110.0	27.93	25.74	25.39	25.36	26.23	25.42	25.59	25.42	26.23	25.36	25.39	25.74
G115.0	35.73	34.15	34.30	34.19	33.96	34.19	34.16	34.19	33.96	34.19	34.30	34.15
G120.0	44.37	42.27	42.29	42.20	41.65	42.38	42.36	42.38	41.65	42.20	42.29	42.27
G125.0	49.87	48.89	48.67	48.86	48.67	48.75	48.98	48.75	48.67	48.86	48.67	48.89
G130.0	61.52	55.23	55.49	55.25	53.40	54.30	52.91	54.30	53.40	55.25	55.49	55.23
G135.0	97.12	88.01	83.22	82.60	85.13	82.24	85.71	82.24	85.13	83.22	88.01	97.12
G140.0	121.85	118.60	118.20	117.93	116.64	120.52	117.47	120.52	116.64	117.93	118.20	118.60
G145.0	114.43	117.85	117.12	117.98	115.83	118.39	116.56	118.39	115.83	117.98	117.12	117.85
G150.0	102.57	105.17	105.18	105.61	103.94	105.90	104.49	105.90	103.94	105.61	105.18	105.17
G155.0	87.43	91.42	91.16	91.55	91.47	91.54	91.71	91.54	91.47	91.55	91.16	91.42
G160.0	73.86	76.51	77.82	77.43	75.81	77.52	76.38	77.52	75.81	77.43	77.82	76.51
G165.0	60.26	63.55	62.50	62.55	63.09	62.34	63.42	62.34	63.09	62.55	62.50	63.55
G170.0	46.88	49.46	50.02	50.13	48.28	50.02	48.46	50.02	48.28	50.13	50.02	49.46
G175.0	38.49	39.75	39.36	39.90	39.26	39.34	39.10	39.34	39.26	39.90	39.36	39.75
G180.0	36.47	36.47	36.47	36.47	36.47	36.47	36.47	36.47	36.47	36.47	36.47	36.47

Luminaire		Measur.		Lamp	
Code	25-1824-BW-T002	Code	25-1824-BW-T002	Code	DLX EL FCY 18W827E27
Name	Pie ESTRUC 18W TC N193 T002	Name	Pie ESTRUC 18W TC N193 T002	Number	1
Line	- LEDS-C4	Date	22-07-2013	Position	Universal
Efficiency	49.03%	Coordinate system	CG	Total Flux	1100.00 lm

Diam=620mm

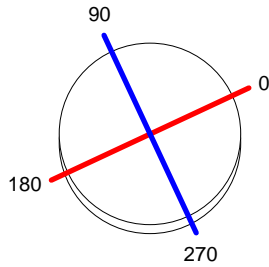
C Halfplanes

180.0 ——— 0.0
 270.0 ——— 90.0



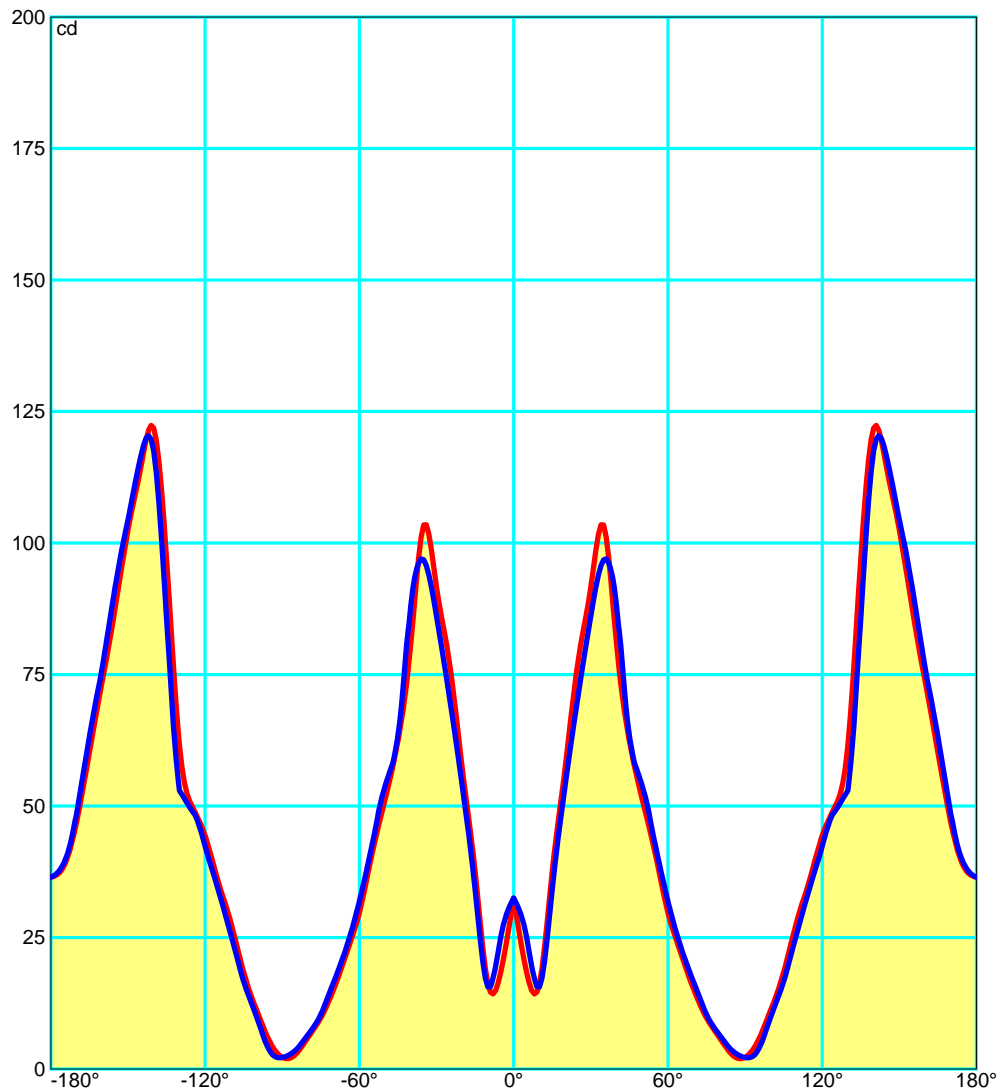
Luminaire		Measur.		Lamp	
Code	25-1824-BW-T002	Code	25-1824-BW-T002	Code	DLX EL FCY 18W827E27
Name	Pie ESTRUC 18W TC N193 T002	Name	Pie ESTRUC 18W TC N193 T002	Number	1
Line	- LEDS-C4	Date	22-07-2013	Position	Universal
Efficiency	49.03%	Coordinate system	CG	Total Flux	1100.00 lm

Diam=620mm



C Halfplanes

180.0 ——— 0.0
270.0 ——— 90.0



Luminaire		Measur.		Lamp	
Code	25-1824-BW-T002	Code	25-1824-BW-T002	Code	DLX EL FCY 18W827E27
Name	Pie ESTRUC 18W TC N193 T002	Name	Pie ESTRUC 18W TC N193 T002	Number	1
Line	- LEDS-C4	Date	22-07-2013	Position	Universal
Efficiency	49.03%	Coordinate system	CG	Total Flux	1100.00 lm

UGR
S = 0.250

Reflectancies										
Ceiling/Cavity	0.7	0.7	0.5	0.5	0.3	0.7	0.7	0.5	0.5	0.3
Walls	0.5	0.3	0.5	0.3	0.3	0.5	0.3	0.5	0.3	0.3
WorkingPlane	0.2	0.2	0.2	0.2	0.2	0.2	0.2	0.2	0.2	0.2
RoomDimensions	ViewedCrosswise					ViewedEndwise				
x=2H y=2H	0.0	0.8	1.0	1.7	3.0	0.1	0.8	1.0	1.8	3.0
x=2H y=3H	0.5	1.1	1.4	2.1	3.4	0.5	1.2	1.5	2.2	3.4
x=2H y=4H	0.5	1.1	1.5	2.1	3.5	0.6	1.2	1.6	2.2	3.5
x=2H y=6H	0.5	1.1	1.5	2.1	3.5	0.6	1.2	1.6	2.2	3.5
x=2H y=8H	0.5	1.0	1.5	2.0	3.4	0.6	1.1	1.6	2.1	3.4
x=2H y=12H	0.4	0.9	1.4	1.9	3.4	0.6	1.1	1.6	2.1	3.4
x=4H y=2H	0.1	0.7	1.1	1.7	3.0	0.1	0.8	1.1	1.7	3.0
x=4H y=3H	0.6	1.1	1.7	2.1	3.5	0.7	1.2	1.7	2.2	3.5
x=4H y=4H	0.8	1.2	1.8	2.3	3.7	0.9	1.3	1.9	2.3	3.7
x=4H y=6H	0.8	1.2	1.9	2.2	3.7	0.9	1.3	2.0	2.3	3.7
x=4H y=8H	0.8	1.2	1.9	2.2	3.7	0.9	1.3	2.0	2.3	3.7
x=4H y=12H	0.8	1.1	1.9	2.2	3.6	0.9	1.2	2.0	2.3	3.6
x=8H y=4H	0.7	1.1	1.8	2.1	3.6	0.8	1.2	1.9	2.2	3.6
x=8H y=6H	0.8	1.1	1.9	2.2	3.7	0.9	1.2	2.0	2.2	3.7
x=8H y=8H	0.8	1.1	1.9	2.2	3.7	0.9	1.2	2.0	2.2	3.7
x=8H y=12H	0.8	1.0	1.9	2.1	3.7	0.9	1.1	2.0	2.2	3.7
x=12H y=4H	0.6	1.0	1.7	2.0	3.5	0.7	1.0	1.8	2.1	3.5
x=12H y=6H	0.8	1.0	1.9	2.1	3.6	0.8	1.1	1.9	2.2	3.6
x=12H y=8H	0.8	1.0	1.9	2.1	3.6	0.9	1.1	2.0	2.2	3.6

Luminaire		Measur.		Lamp	
Code	25-1824-BW-T002	Code	25-1824-BW-T002	Code	DLX EL FCY 18W827E27
Name	Pie ESTRUC 18W TC N193 T002	Name	Pie ESTRUC 18W TC N193 T002	Number	1
Line	- LEDS-C4	Date	22-07-2013	Position	Universal
Efficiency	49.03%	Coordinate system	CG	Total Flux	1100.00 lm

Total Flux=1100.00 Luminaire Flux=539.37

RI	0.60	0.80	1.00	1.25	1.50	2.00	2.50	3.00	4.00	5.00	10.00	20.00
DRR	0.30	0.40	0.48	0.55	0.61	0.70	0.75	0.79	0.84	0.86	0.92	0.96
RC	5	5	5	5	5	4	4	4	4	4	5	6

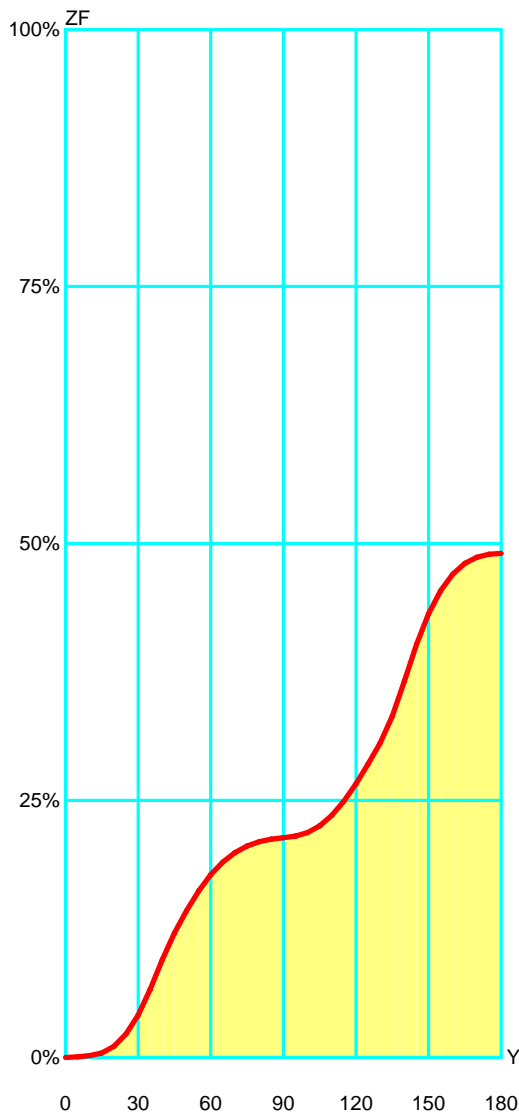
Zonal Flux per 1000 Lumen

Y°	10	20	30	40	50	60	70	80	90	100	110	120	130	140	150	160	170	180
ZF(Y)	2	11	41	95	143	178	199	210	214	219	235	266	306	366	432	470	487	490

CIE Flux Codes

48 83 96 44 49

C.I.E.	5/5/5/5/4/4/4/4/5/6	LOR	49.03389 %
D DIN 5040	C32	ULOR	27.66003 %
F UTE	0.21 E + 0.28 T	DLOR	21.37386 %
B NBN	BZ 5 / 1 / BZ 4	UFF	56.41003 %
RN	56.41003 %	DFF	43.58997 %
BLF	1.0	FFR	129.41057 %



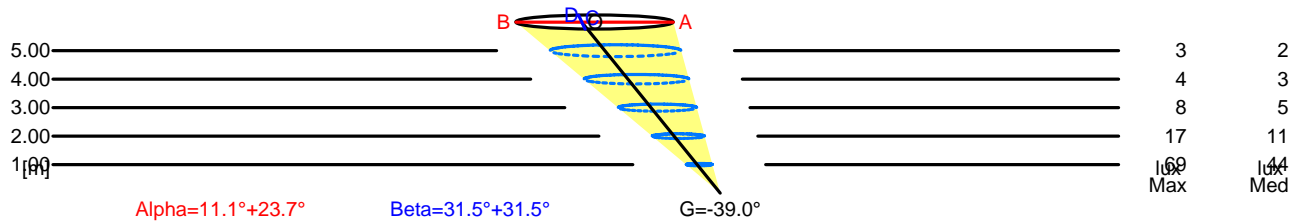
Zonal Flux				
Gamma °	Flux	Sum lm	Flux [%]	Sum [%]
0°	0.00	0.00	0.00%	0.00%
5°	0.60	0.60	0.12%	0.12%
10°	1.24	1.84	0.25%	0.38%
15°	2.59	4.43	0.53%	0.90%
20°	6.44	10.87	1.31%	2.22%
25°	12.01	22.88	2.45%	4.67%
30°	18.41	41.28	3.75%	8.42%
35°	25.14	66.42	5.13%	13.55%
40°	28.92	95.34	5.90%	19.44%
45°	25.95	121.29	5.29%	24.74%
50°	21.54	142.83	4.39%	29.13%
55°	19.13	161.96	3.90%	33.03%
60°	15.83	177.79	3.23%	36.26%
65°	12.34	190.13	2.52%	38.77%
70°	9.17	199.29	1.87%	40.64%
75°	6.43	205.72	1.31%	41.96%
80°	4.19	209.92	0.86%	42.81%
85°	2.44	212.36	0.50%	43.31%
90°	1.38	213.74	0.28%	43.59%
95°	1.57	215.31	0.32%	43.91%
100°	3.43	218.74	0.70%	44.61%
105°	6.53	225.27	1.33%	45.94%
110°	10.19	235.46	2.08%	48.02%
115°	13.84	249.29	2.82%	50.84%
120°	16.94	266.23	3.45%	54.30%
125°	19.17	285.41	3.91%	58.21%
130°	20.56	305.97	4.19%	62.40%
135°	25.82	331.79	5.27%	67.67%
140°	34.34	366.14	7.00%	74.67%
145°	35.75	401.89	7.29%	81.96%
150°	29.72	431.61	6.06%	88.02%
155°	22.55	454.16	4.60%	92.62%
160°	16.00	470.16	3.26%	95.88%
165°	10.44	480.60	2.13%	98.01%
170°	6.03	486.63	1.23%	99.24%
175°	2.88	489.51	0.59%	99.83%
180°	0.82	490.34	0.17%	100.00%

Luminaire		Measur.		Lamp	
Code	25-1824-BW-T002	Code	25-1824-BW-T002	Code	DLX EL FCY 18W827E27
Name	Pie ESTRUC 18W TC N193 T002	Name	Pie ESTRUC 18W TC N193 T002	Number	1
Line	- LEDS-C4	Date	22-07-2013	Position	Universal
Efficiency	49.03%	Coordinate system	CG	Total Flux	1100.00 lm

Width at 50.00 % of MaxLux

H[m]	1.00	2.00	3.00	4.00	5.00	H[m]	1.00	2.00	3.00	4.00	5.00
OA	0.54	1.07	1.61	2.14	2.68	OC	0.79	1.57	2.36	3.15	3.94
OB	0.39	0.77	1.16	1.54	1.93	OD	0.79	1.57	2.36	3.15	3.94

	Luminous Intensities [cd]									
	0	5	15	25	35	45	55	65	75	85
OA	36.47	38.49	60.26	87.43	114.43	97.12	49.87	35.73	18.36	5.33
OB	36.47	38.49	60.26	87.43	114.43	97.12	49.87	35.73	18.36	5.33
OC	36.47	39.10	63.42	91.71	116.56	85.71	48.98	34.16	16.65	3.53
OD	36.47	39.10	63.42	91.71	116.56	85.71	48.98	34.16	16.65	3.53



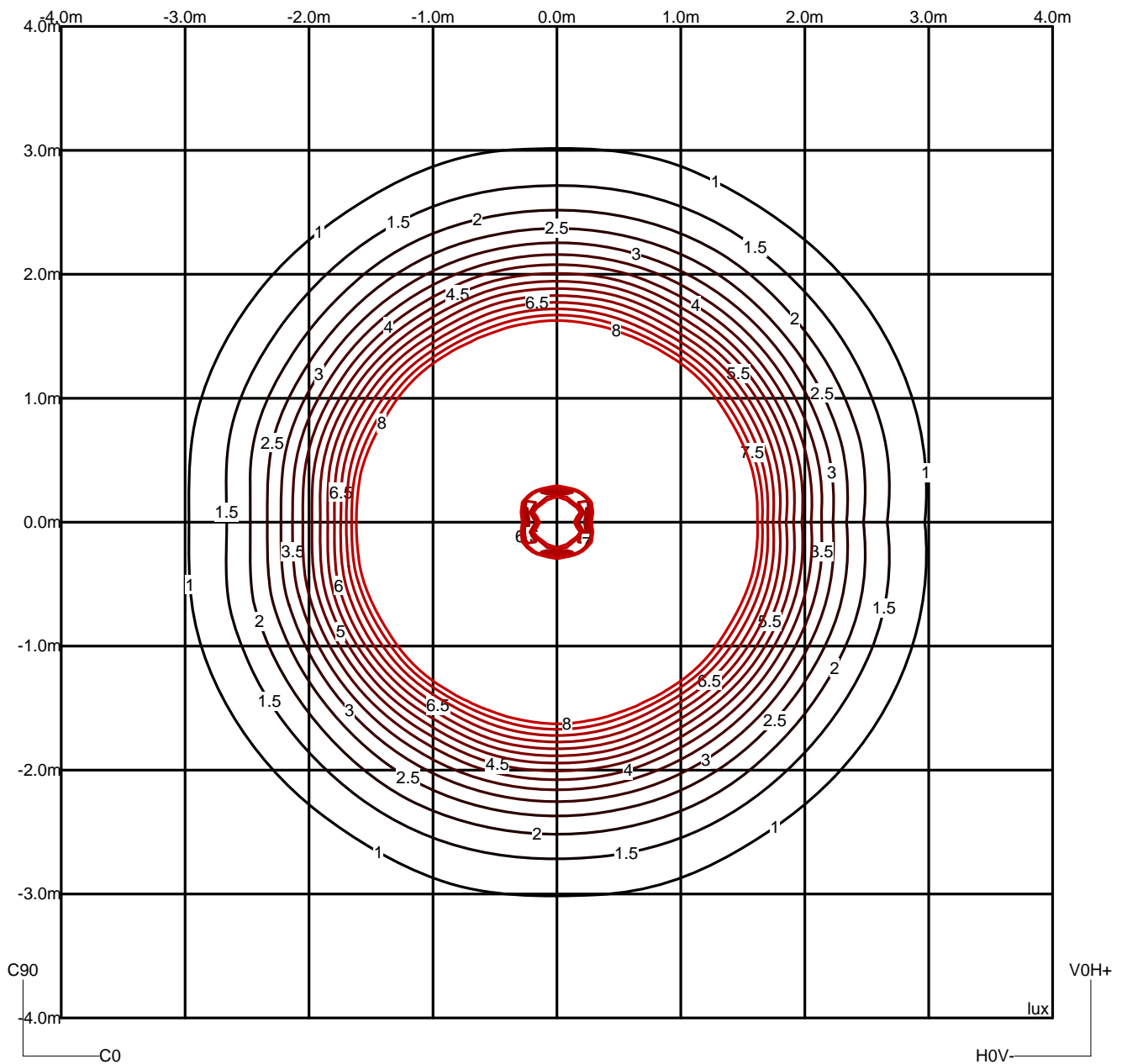
5.00	4.60	3	2	
4.00	3.68	4	3	
3.00	2.76	8	5	
2.00	1.84	17	11	
1.00	0.92	69	44	
H[m]	D[m]	Max lux	Med lux	

5.00	7.87	3	2	
4.00	6.30	4	3	
3.00	4.72	8	5	
2.00	3.15	17	11	
1.00	1.57	69	44	
H[m]	D[m]	Max lux	Med lux	

Luminaire		Measuram.		Lamp	
Code	25-1824-BW-T002	Code	25-1824-BW-T002	Code	DLX EL FCY 18W827E27
Name	Pie ESTRUC 18W TC N193 T002	Name	Pie ESTRUC 18W TC N193 T002	Number	1
Line	- LEDS-C4	Date	22-07-2013	Position	Universal
Efficiency	49.03%	Coordinate system	CG	Total Flux	1100.00 lm

Isolux (Floor)

Luminaire position X=0.00m Y=0.00m Z=1.50m



Luminaire	Measur.	Lamp
Code 25-1824-BW-T002	Code 25-1824-BW-T002	Code DLX EL FCY 18W827E27
Name Pie ESTRUC 18W TC N193 T002	Name Pie ESTRUC 18W TC N193 T002	Number 1
Line - LEDS-C4	Date 22-07-2013	Position Universal

Efficiency	49.03%	Coordinate system	CG	Total Flux	1100.00 lm
------------	--------	-------------------	----	------------	------------

Utilizations CIE

Mounting	Direct	114-Norm type Normalised										Suspension Ratio 3					Standard CIE Settings						
Ceiling																							
K	8873	8773	8871	8771	7773	7771	7753	7553	7751	7551	7731	7331	7711	7111	5551	5531	5331	5511	5111	3331	3311	1111	0000
0.60	291	262	274	248	249	236	223	189	215	183	201	151	190	130	171	162	143	155	124	136	131	113	104
0.80	321	294	294	271	280	259	251	220	237	209	221	176	209	153	195	184	166	176	146	158	152	134	123
1.00	341	317	306	286	302	274	272	243	252	226	236	194	223	171	212	201	184	192	164	175	168	150	138
1.25	358	338	313	297	321	285	292	265	265	242	249	212	236	189	228	216	201	207	181	192	185	167	154
1.50	371	353	318	304	336	293	308	283	274	254	258	225	246	203	239	228	214	219	195	204	198	180	166
2.00	388	373	322	312	355	301	330	309	285	269	271	244	260	224	255	245	233	236	215	223	217	200	184
2.50	399	386	324	316	368	306	346	327	292	278	280	256	269	238	265	256	246	248	230	236	230	214	198
3.00	406	395	325	318	378	309	357	340	297	285	286	265	276	249	272	264	255	257	240	245	240	225	207
4.00	416	407	326	321	390	313	373	359	303	294	294	278	286	263	282	275	268	269	255	258	254	240	221
5.00	422	415	326	322	398	315	383	371	306	299	299	285	292	273	288	282	276	276	265	267	263	250	231
10.00	435	432	326	324	414	319	405	399	314	310	309	302	305	295	301	297	294	294	287	286	283	273	251
20.00	442	440	325	324	423	320	418	414	317	315	315	311	312	307	307	305	303	303	300	296	295	286	263

Wall

K	8873	8773	8871	8771	7773	7771	7753	7553	7751	7551	7731	7331	7711	7111	5551	5531	5331	5511	5111	3331	3311	1111	0000
0.60	182	166	161	147	158	140	124	109	113	99	95	76	82	61	92	78	71	68	57	67	59	52	45
0.80	210	194	180	167	182	157	148	132	131	117	113	92	99	75	107	93	85	82	70	78	70	60	52
1.00	230	214	191	179	200	168	166	149	144	130	126	104	111	87	117	103	95	92	79	86	78	66	56
1.25	247	233	201	190	215	177	184	167	155	141	137	117	124	99	125	113	104	102	89	93	85	72	60
1.50	260	247	207	197	227	183	197	181	163	150	147	127	133	108	132	120	112	110	97	99	91	76	62
2.00	276	264	212	205	242	189	215	200	172	161	158	140	146	122	139	129	122	120	107	105	98	80	65
2.50	286	276	216	209	251	193	228	214	178	169	165	149	154	133	144	135	128	127	115	110	103	83	66
3.00	294	285	217	212	258	195	237	224	182	174	171	156	161	141	148	139	133	132	121	113	107	85	67
4.00	305	298	222	217	269	200	251	241	189	182	180	167	171	154	154	147	142	141	131	118	114	90	70
5.00	313	307	225	221	277	204	262	252	195	189	186	176	179	164	159	153	149	147	139	123	119	94	72
10.00	335	332	236	234	298	216	289	283	210	207	205	199	200	191	174	170	167	167	161	138	135	106	82
20.00	351	349	246	245	315	226	309	306	223	221	220	217	217	212	187	184	183	182	179	151	149	117	92

Working Pl.

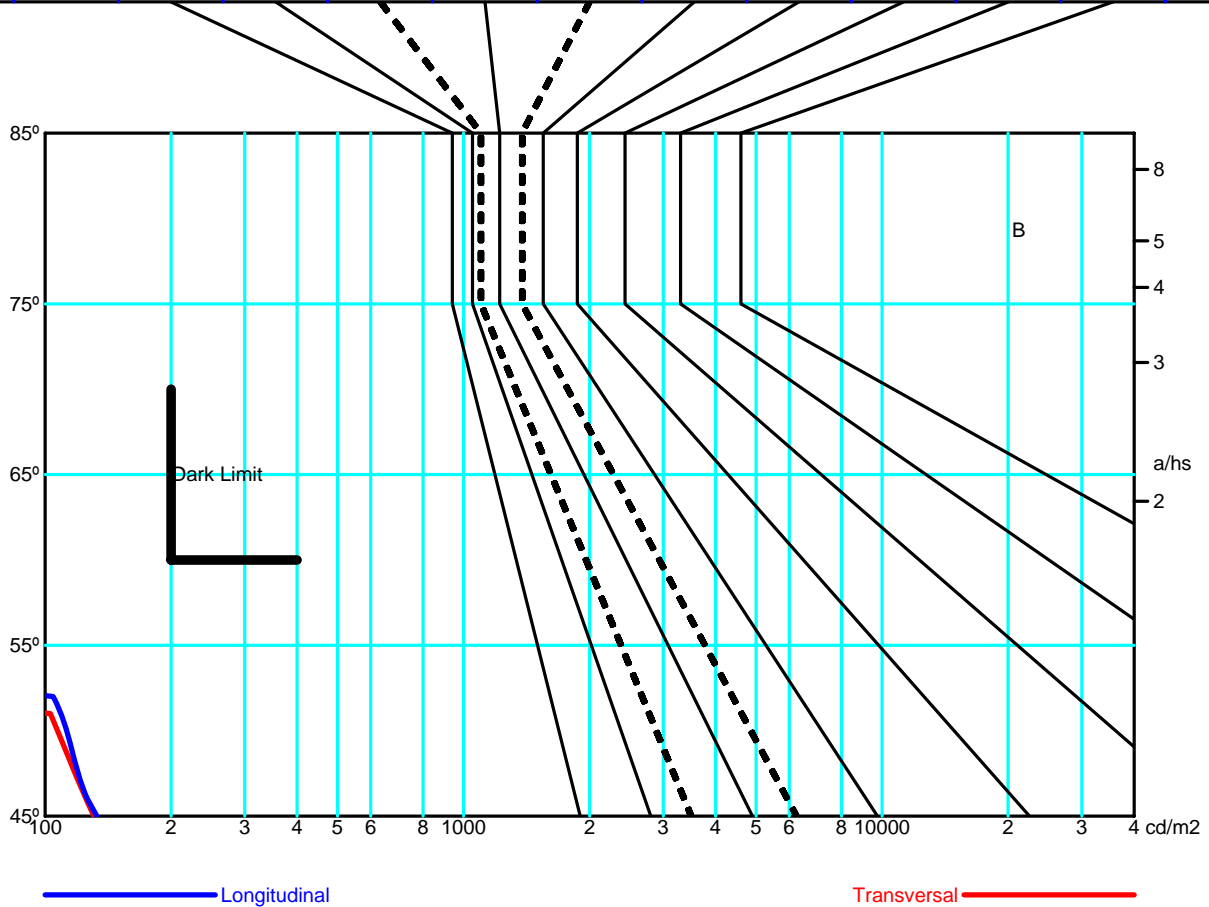
K	8873	8773	8871	8771	7773	7771	7753	7553	7751	7551	7731	7331	7711	7111	5551	5531	5331	5511	5111	3331	3311	1111	0000
0.60	218	201	204	189	191	179	150	134	144	130	121	102	104	84	120	102	95	89	79	89	78	71	64
0.80	269	251	248	232	236	219	194	175	185	168	160	136	141	115	153	134	126	120	107	116	105	93	85
1.00	309	290	281	266	271	250	229	210	217	199	192	166	173	143	180	161	152	147	132	139	127	112	102
1.25	347	329	312	298	305	279	265	244	248	231	224	197	205	173	206	188	178	174	157	161	150	130	118
1.50	375	358	335	322	331	301	293	272	272	255	249	222	231	197	226	209	199	195	178	177	167	144	130
2.00	416	401	367	355	368	331	335	315	307	291	286	260	269	236	255	241	230	228	210	203	194	165	149
2.50	443	429	386	377	393	350	363	345	329	315	311	287	296	264	275	262	252	250	233	220	212	178	161
3.00	462	450	400	392	411	364	384	367	345	333	329	307	315	285	288	277	268	267	251	232	225	188	169
4.00	487	477	417	411	434	381	411	397	366	355	353	333	340	314	306	297	289	288	274	248	241	200	179
5.00	502	494	428	422	448	392	429	416	379	370	367	351	357	334	318	309	302	302	289	257	252	207	185
10.00	535	530	449	446	480	414	468	461	406	401	399	390	393	379	342	337	333	332	324	279	276	223	197
20.00	553	550	461	459	497	425	490	486	421	419	418	412	414	406	355	352	350	350	345	291	289	232	205

LM53 SHR C0-C180: 0.201 SHR C90-C270: 0.281 SHR Square: 1.130

Luminaire		Measur.		Lamp	
Code	25-1824-BW-T002	Code	25-1824-BW-T002	Code	DLX EL FCY 18W827E27
Name	Pie ESTRUC 18W TC N193 T002	Name	Pie ESTRUC 18W TC N193 T002	Number	1
Line	- LEDS-C4	Date	22-07-2013	Position	Universal
Efficiency	49.03%	Coordinate system	CG	Total Flux	1100.00 lm

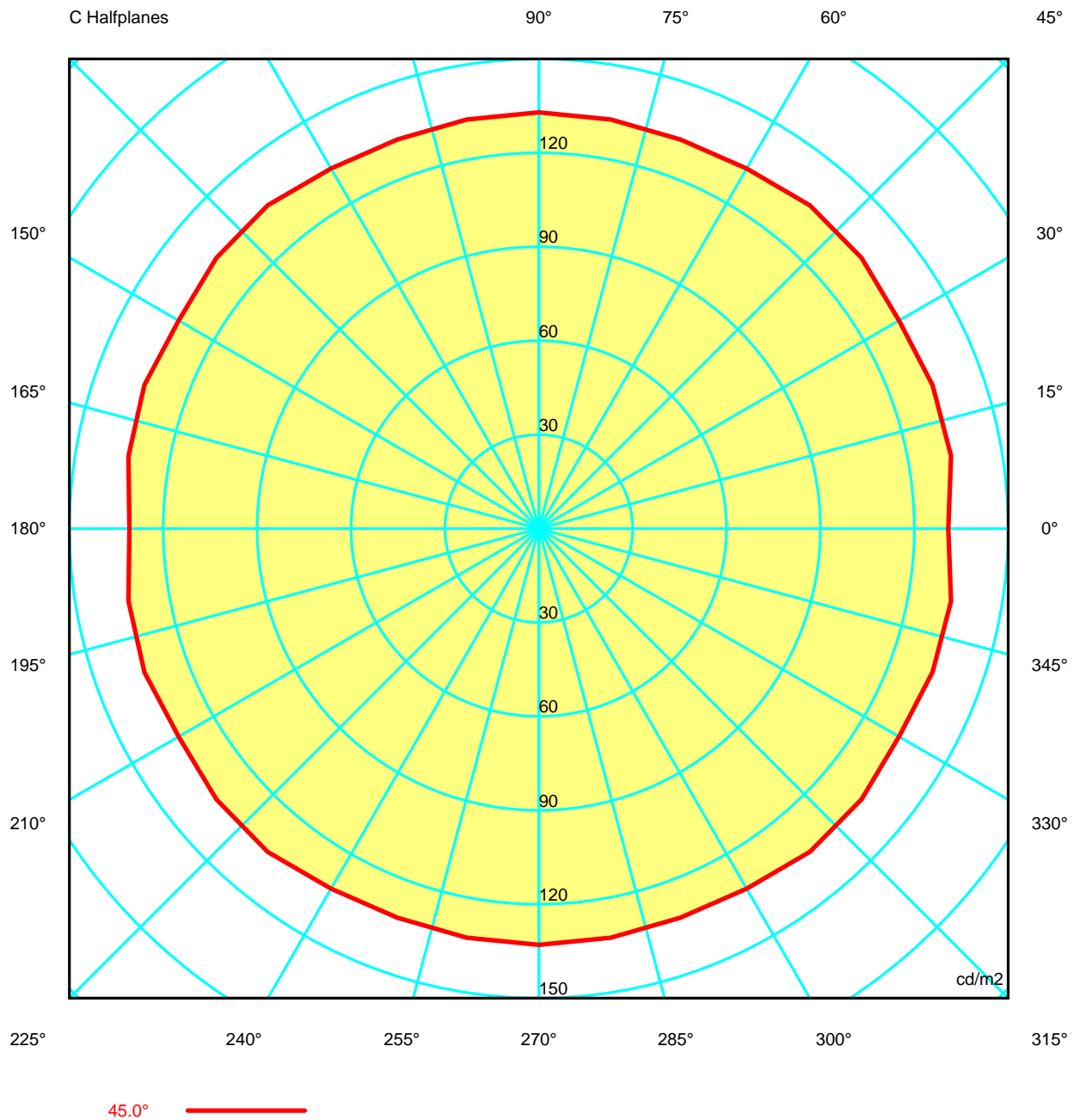
	Average Luminance [cd/m ²]									
	0°	45°	50°	55°	60°	65°	70°	75°	80°	85°
0°	130.9	107.1	86.0	62.7	47.5	33.4	22.2	14.3	6.8	---
90°	132.9	112.7	89.5	67.6	49.8	36.8	23.7	15.6	8.9	---
180°	130.9	107.1	86.0	62.7	47.5	33.4	22.2	14.3	6.8	---
270°	132.9	112.7	89.5	67.6	49.8	36.8	23.7	15.6	8.9	---

Flush mounted or transversal view												
		Illumination (lx)										
A	A	2000	1000	750	500		<300					1.15
B	1		2000	1500	1000	750	500	<300				1.5
C					2000		1000	500	<300			1.85
D	2						2000	1000	500	<300		2.2
E	3							2000	1000	500	<300	2.55



Luminaire		Measurem.		Lamp	
Code	25-1824-BW-T002	Code	25-1824-BW-T002	Code	DLX EL FCY 18W827E27
Name	Pie ESTRUC 18W TC N193 T002	Name	Pie ESTRUC 18W TC N193 T002	Number	1
Line	- LEDS-C4	Date	22-07-2013	Position	Universal
Efficiency	49.03%	Coordinate system	CG	Total Flux	1100.00 lm

Luminance



Luminaire		Measur.		Lamp	
Code	25-1824-BW-T002	Code	25-1824-BW-T002	Code	DLX EL FCY 18W827E27
Name	Pie ESTRUC 18W TC N193 T002	Name	Pie ESTRUC 18W TC N193 T002	Number	1
Line	- LEDS-C4	Date	22-07-2013	Position	Universal

Efficiency	49.03%	Coordinate system	CG	Total Flux	1100.00 lm
------------	--------	-------------------	----	------------	------------

Luminance cd/m2 Table 1/3

	C 0.00	C 10.00	C 20.00	C 30.00	C 40.00	C 50.00	C 60.00	C 70.00	C 80.00	C 90.00	C 100.00	C 110.00	C 120.00
G 0.0	107.58	107.58	107.58	107.58	107.58	107.58	107.58	107.58	107.58	107.58	107.58	107.58	107.58
G 5.0	55.55	57.41	67.73	76.71	67.60	66.32	73.38	65.31	66.54	75.67	66.54	65.31	73.38
G 10.0	44.77	43.16	41.51	41.56	44.77	44.89	42.64	44.52	44.76	43.04	44.76	44.52	42.64
G 15.0	96.95	87.25	79.76	75.33	74.33	80.05	87.02	85.37	85.25	87.98	85.24	85.38	87.02
G 20.0	139.01	132.46	130.46	131.17	128.78	126.82	128.12	131.45	132.09	130.76	132.08	131.45	128.12
G 25.0	179.85	171.95	167.11	165.85	165.81	165.05	164.60	167.86	167.39	164.44	167.38	167.87	164.60
G 30.0	204.71	201.16	195.66	191.81	195.03	196.37	194.52	196.18	195.19	192.40	195.19	196.18	194.52
G 35.0	224.51	220.35	215.77	213.95	218.04	217.59	214.38	219.13	216.82	210.11	216.82	219.14	214.38
G 40.0	171.74	186.12	194.41	196.78	197.77	195.61	192.85	198.43	195.24	187.42	195.25	198.42	192.85
G 45.0	130.85	133.73	133.89	132.89	134.55	134.76	132.79	132.24	132.65	132.93	132.65	132.24	132.79
G 50.0	107.12	111.72	113.92	113.98	113.88	112.20	110.43	111.92	112.78	112.70	112.78	111.92	110.43
G 55.0	85.97	89.43	91.03	90.96	90.85	90.29	89.65	90.00	89.96	89.52	89.96	90.00	89.65
G 60.0	62.74	67.50	68.94	68.89	68.44	69.08	69.84	69.10	68.01	67.60	68.01	69.10	69.84
G 65.0	47.46	49.64	51.16	51.76	51.52	50.45	49.85	51.15	50.99	49.78	50.99	51.14	49.85
G 70.0	33.43	36.55	36.73	35.67	35.46	36.27	36.79	36.09	36.12	36.78	36.13	36.09	36.79
G 75.0	22.18	23.83	24.82	25.26	25.61	24.79	23.83	24.85	24.75	23.68	24.75	24.85	23.83
G 80.0	14.33	15.61	15.82	15.43	15.81	16.07	15.77	15.46	15.47	15.60	15.47	15.46	15.77
G 85.0	6.83	8.31	8.61	8.42	8.50	8.52	8.39	8.43	8.69	8.88	8.69	8.43	8.39
G 90.0	5.96	5.94	5.95	5.99	6.03	6.03	5.98	5.93	5.91	5.92	5.91	5.93	5.98

Luminaire		Measur.		Lamp	
Code	25-1824-BW-T002	Code	25-1824-BW-T002	Code	DLX EL FCY 18W827E27
Name	Pie ESTRUC 18W TC N193 T002	Name	Pie ESTRUC 18W TC N193 T002	Number	1
Line	- LEDS-C4	Date	22-07-2013	Position	Universal

Efficiency	49.03%	Coordinate system	CG	Total Flux	1100.00 lm
------------	--------	-------------------	----	------------	------------

Luminance cd/m2 Table 2/3

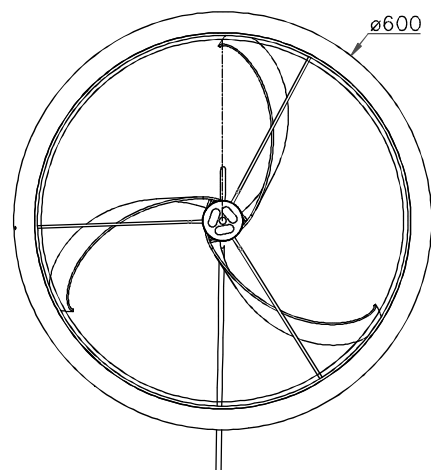
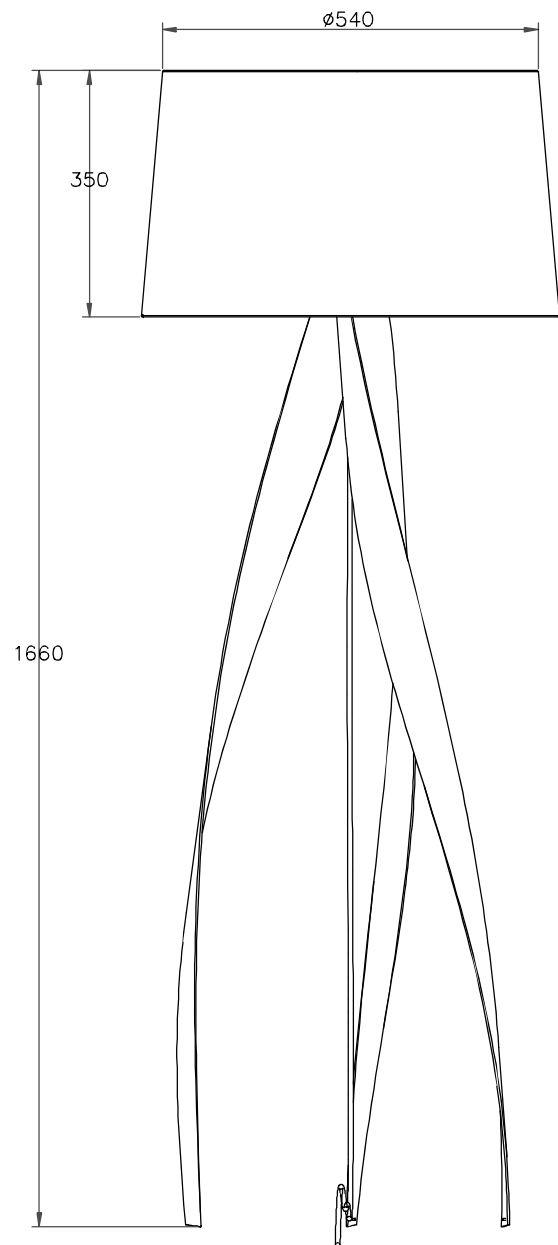
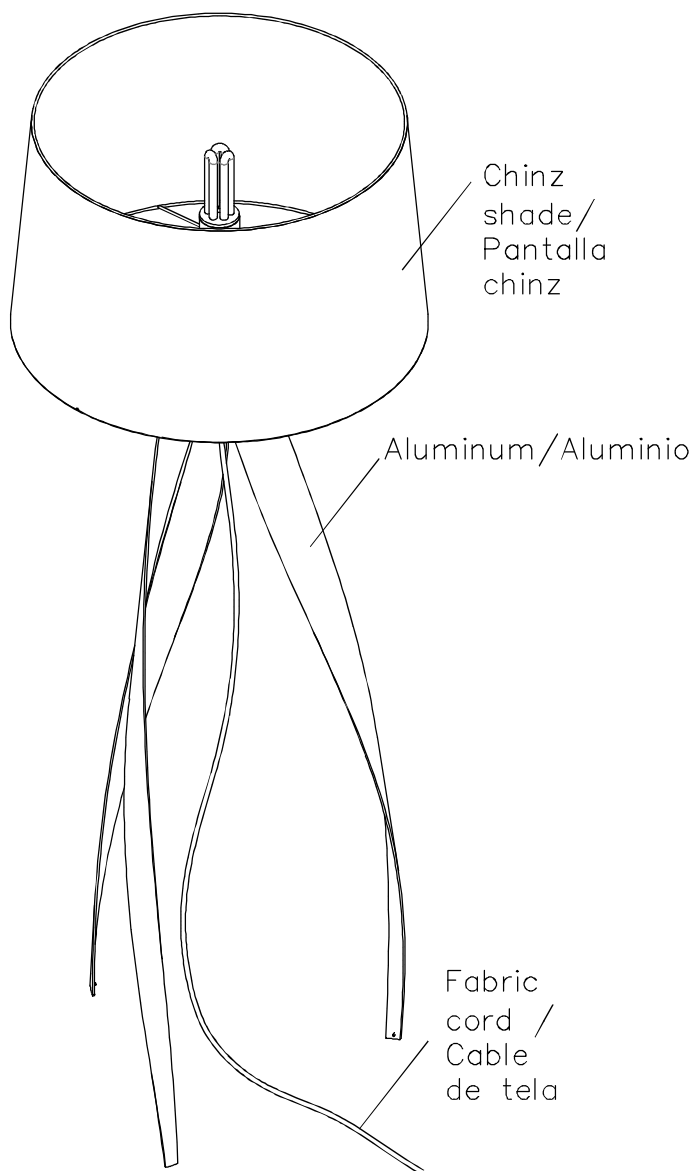
	C 130.00	C 140.00	C 150.00	C 160.00	C 170.00	C 180.00	C 190.00	C 200.00	C 210.00	C 220.00	C 230.00	C 240.00	C 250.00
G 0.0	107.58	107.58	107.58	107.58	107.58	107.58	107.58	107.58	107.58	107.58	107.58	107.58	107.58
G 5.0	66.33	67.59	76.71	67.75	57.36	55.55	57.36	67.75	76.71	67.59	66.33	73.38	65.31
G 10.0	44.89	44.79	41.56	41.40	43.43	44.77	43.43	41.40	41.56	44.79	44.89	42.64	44.52
G 15.0	80.00	74.45	75.33	79.08	88.97	96.95	88.97	79.08	75.33	74.45	80.00	87.02	85.38
G 20.0	126.78	128.87	131.17	130.85	133.71	139.01	133.71	130.85	131.17	128.87	126.78	128.12	131.45
G 25.0	165.39	165.81	165.85	167.95	173.39	179.85	173.39	167.95	165.85	165.81	165.01	164.60	167.87
G 30.0	196.35	195.07	191.81	195.44	201.70	204.71	201.70	195.44	191.81	195.07	196.35	194.52	196.18
G 35.0	217.57	218.09	213.95	215.50	221.04	224.51	221.04	215.50	213.95	218.09	217.57	214.38	219.14
G 40.0	195.61	197.58	196.78	195.45	183.48	171.74	183.48	195.45	196.78	197.58	195.61	192.85	198.42
G 45.0	134.78	134.51	132.89	134.12	133.16	130.85	133.16	134.12	132.89	134.51	134.78	132.79	132.24
G 50.0	112.23	113.81	113.98	114.26	110.86	107.12	110.86	113.48	113.98	113.81	112.23	110.43	111.92
G 55.0	90.31	90.81	90.96	91.29	88.78	85.97	88.78	90.69	90.96	90.81	90.31	89.65	90.00
G 60.0	69.10	68.71	68.89	69.83	66.60	62.74	66.60	68.94	68.89	68.38	69.10	69.84	69.10
G 65.0	50.46	51.50	51.76	51.31	49.25	47.46	49.25	51.31	51.76	51.50	50.46	49.85	51.14
G 70.0	36.29	35.41	35.67	36.73	35.94	33.43	35.94	36.73	35.67	35.41	36.29	36.79	36.09
G 75.0	24.80	25.59	25.26	24.94	23.53	22.18	23.53	24.94	25.26	25.59	24.80	23.83	24.85
G 80.0	16.08	15.80	15.43	15.92	15.36	14.33	15.36	15.92	15.43	15.80	16.08	15.77	15.46
G 85.0	8.52	8.50	8.42	8.61	8.02	6.83	8.02	8.61	8.42	8.50	8.52	8.39	8.43
G 90.0	6.03	6.03	5.99	5.95	5.94	5.96	5.94	5.95	5.99	6.03	6.03	5.98	5.93

Luminaire		Measur.		Lamp	
Code	25-1824-BW-T002	Code	25-1824-BW-T002	Code	DLX EL FCY 18W827E27
Name	Pie ESTRUC 18W TC N193 T002	Name	Pie ESTRUC 18W TC N193 T002	Number	1
Line	- LEDS-C4	Date	22-07-2013	Position	Universal

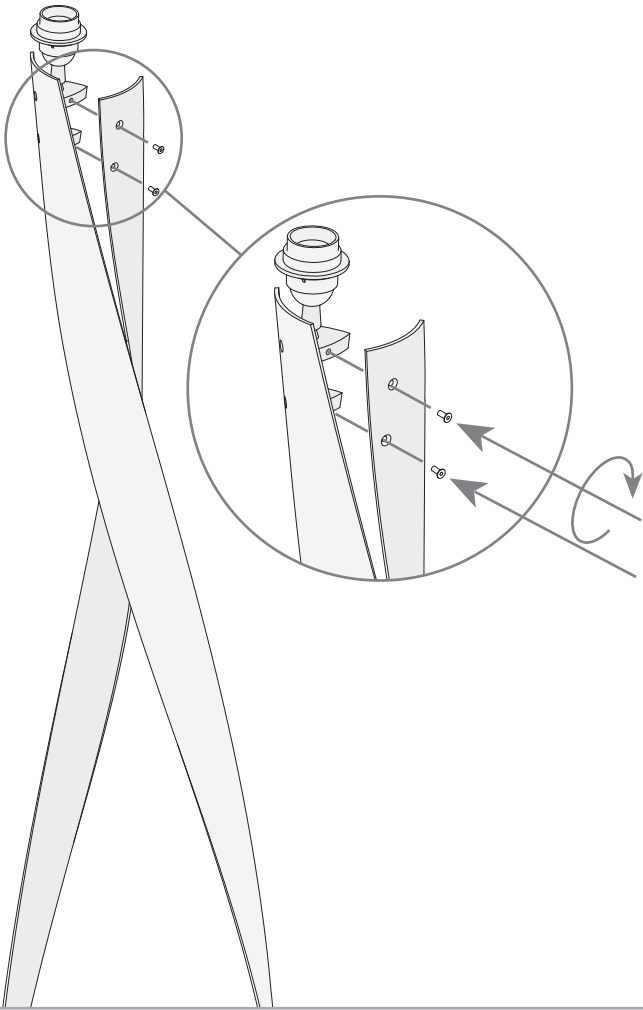
Efficiency	49.03%	Coordinate system	CG	Total Flux	1100.00 lm
------------	--------	-------------------	----	------------	------------

Luminance cd/m2 Table 3/3

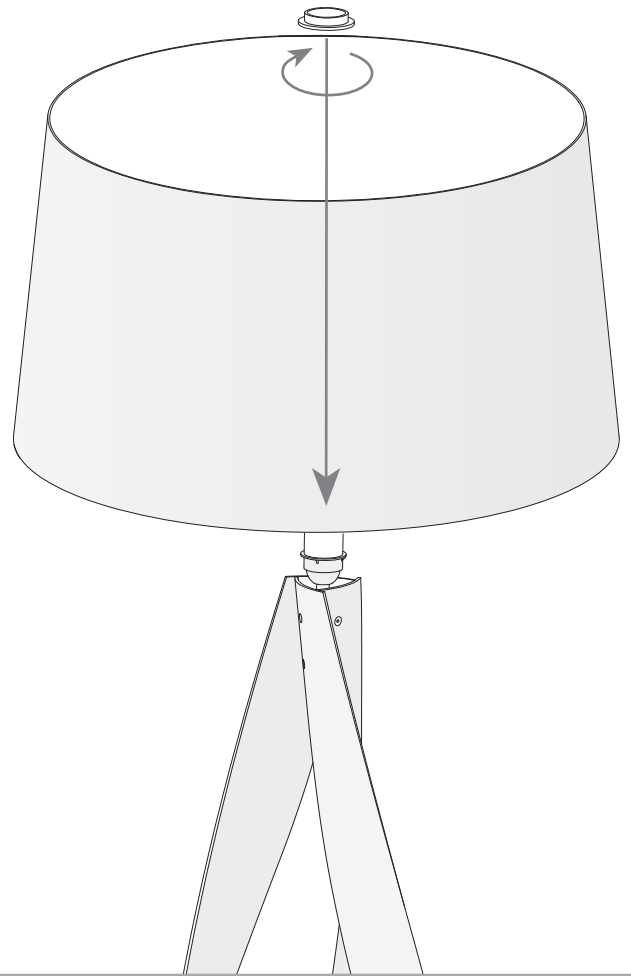
	C 180.00	C 190.00	C 200.00	C 210.00	C 220.00	C 230.00	C 240.00	C 250.00	C 260.00	C 270.00	C 280.00	C 290.00	C 300.00
G 0.0	107.58	107.58	107.58	107.58	107.58	107.58	107.58	107.58	107.58	107.58	107.58	107.58	107.58
G 5.0	55.55	57.36	67.75	76.71	67.59	66.33	73.38	65.31	66.54	75.67	66.54	65.31	73.38
G 10.0	44.77	43.43	41.40	41.56	44.79	44.89	42.64	44.52	44.76	43.04	44.76	44.52	42.64
G 15.0	96.95	88.97	79.08	75.33	74.45	80.00	87.02	85.38	85.24	87.98	85.25	85.37	87.02
G 20.0	139.01	133.71	130.85	131.17	128.87	126.78	128.12	131.45	132.08	130.76	132.09	131.45	128.12
G 25.0	179.85	173.39	167.95	165.85	165.81	165.01	164.60	167.87	167.38	164.44	167.39	167.86	164.60
G 30.0	204.71	201.70	195.44	191.81	195.07	196.35	194.52	196.18	195.19	192.40	195.19	196.18	194.52
G 35.0	224.51	221.04	215.50	213.95	218.09	217.57	214.38	219.14	216.82	210.11	216.82	219.13	214.38
G 40.0	171.74	183.48	195.45	196.78	197.58	195.61	192.85	198.42	195.25	187.42	195.24	198.43	192.85
G 45.0	130.85	133.16	134.12	132.89	134.51	134.78	132.79	132.24	132.65	132.93	132.65	132.24	132.79
G 50.0	107.12	110.86	113.48	113.98	113.81	112.23	110.43	111.92	112.78	112.70	112.78	111.92	110.43
G 55.0	85.97	88.78	90.69	90.96	90.81	90.31	89.65	90.00	89.96	89.52	89.96	90.00	89.65
G 60.0	62.74	66.60	68.94	68.89	68.38	69.10	69.84	69.10	68.01	67.60	68.01	69.10	69.84
G 65.0	47.46	49.25	51.31	51.76	51.50	50.46	49.85	51.14	50.99	49.78	50.99	51.15	49.85
G 70.0	33.43	35.94	36.73	35.67	35.41	36.29	36.79	36.09	36.13	36.78	36.12	36.09	36.79
G 75.0	22.18	23.53	24.94	25.26	25.59	24.80	23.83	24.85	24.75	23.68	24.75	24.85	23.83
G 80.0	14.33	15.36	15.92	15.43	15.80	16.08	15.77	15.46	15.47	15.60	15.47	15.46	15.77
G 85.0	6.83	8.02	8.61	8.42	8.50	8.52	8.39	8.43	8.69	8.88	8.69	8.43	8.39
G 90.0	5.96	5.94	5.95	5.99	6.03	6.03	5.98	5.93	5.91	5.92	5.91	5.93	5.98



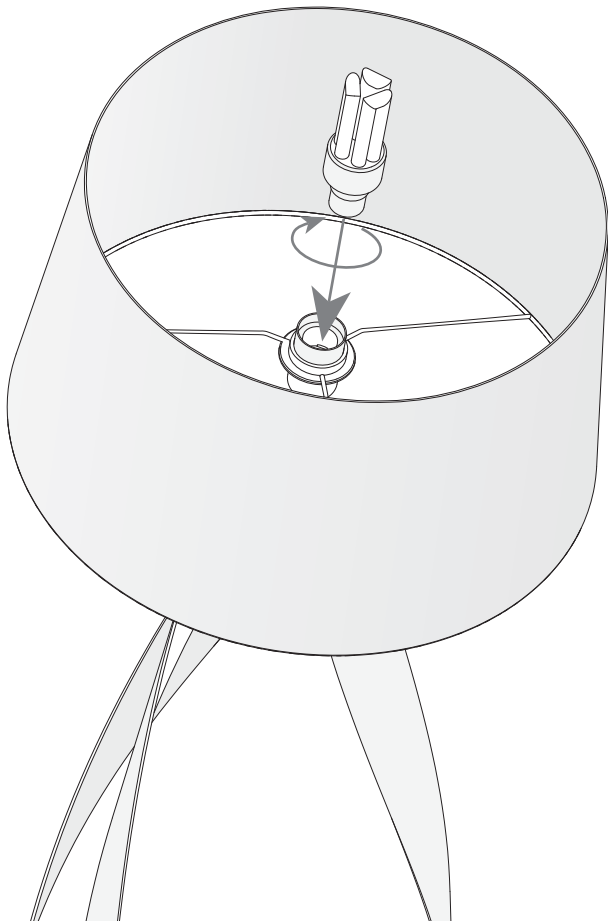
1



2



3



4

