

SATURN Plafonnier

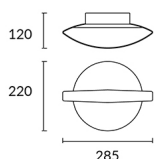
**Description**

Plafonnier à usage intérieur pour éclairer frontalement.

Confort visuel optimal. Design intemporel. Sans vis apparentes. Prix-rendement optimal. Effet de lumière. Durabilité élevée pour usage intensif. Matière structure: Acier, Aluminium. Finition structure: Blanc mat. Garantie: 2 Ans.

Finition
Blanc mat

Matière
Acier
Aluminium

**CARACTÉRISTIQUES TECHNIQUES****Source lumineuse**

Source lumineuse: LED SHARP
Puissance (W): 9W
Température de couleur: Blanc chaud -
3 000 K
CRI: 80
Lumens nominaux: 920
Nbr de LED: 1
Durée de vie: 36.000h L70B30
Bin / Grup: 30
MacAdam steps: 3 STEPS
Risque photobiologique: RG1

ÉQUIPEMENT

Marque: HEP
Équipement compris: Oui, électronique
Tension / Fréquence:
220-240VAC/50-60Hz
Facteur de puissance: 0.50
Protocole du règlement: Mains
dimming (LC)

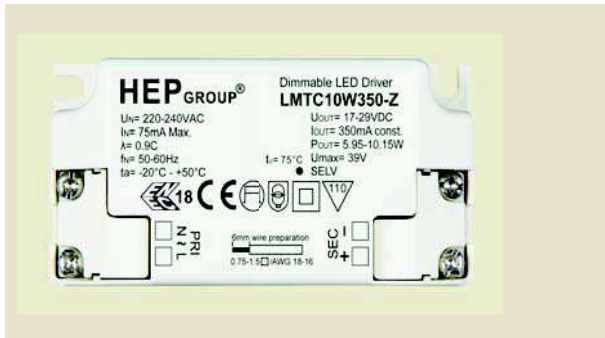
Luminaire

Garantie: 2 Ans

Logistique

Efficacité énergétique: LED A++
Code EAN: 8435381427733
Poids net (kg): 1.120
Poids en kg (emballé): 1.667
Boîte: 260 x 260 x 180
Masterbox: 6

Triac Dimming LED Driver



Approval Marks



Australia Certificate No. : TUV16776EA

Certified

EN 61347-1:2008+A1
 EN 61347-2-13:2006
 EN 62384:2006+A1

The minimum load of the LMTC10Wxxx-Z have been internally tested with all dimmers in the dimmer compatibility list by HEP. HEP confirmed all internal tests would be no problem for the minimum load specified in product spec sheet. As the test result with our dimmer list may be influenced by different LED specs or brands from customer side, the flickering probably will be happened in case or probably not.

If customer tested LMTC10Wxxx-Z with HEP dimmer list and LED module less than 7.5W or down to minimum load specified in product spec sheet, the flickering did not happen and the compatibility should be no problem.

If flickering was observed, three solutions were advised for customer;

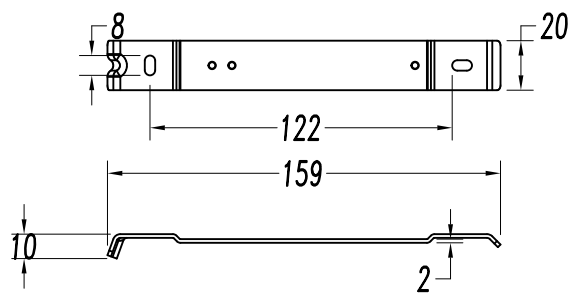
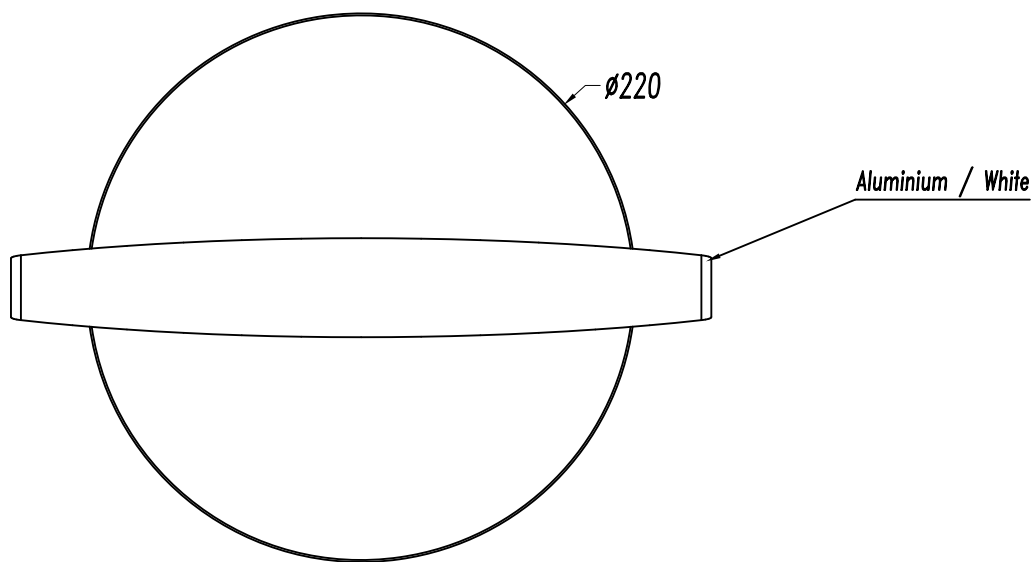
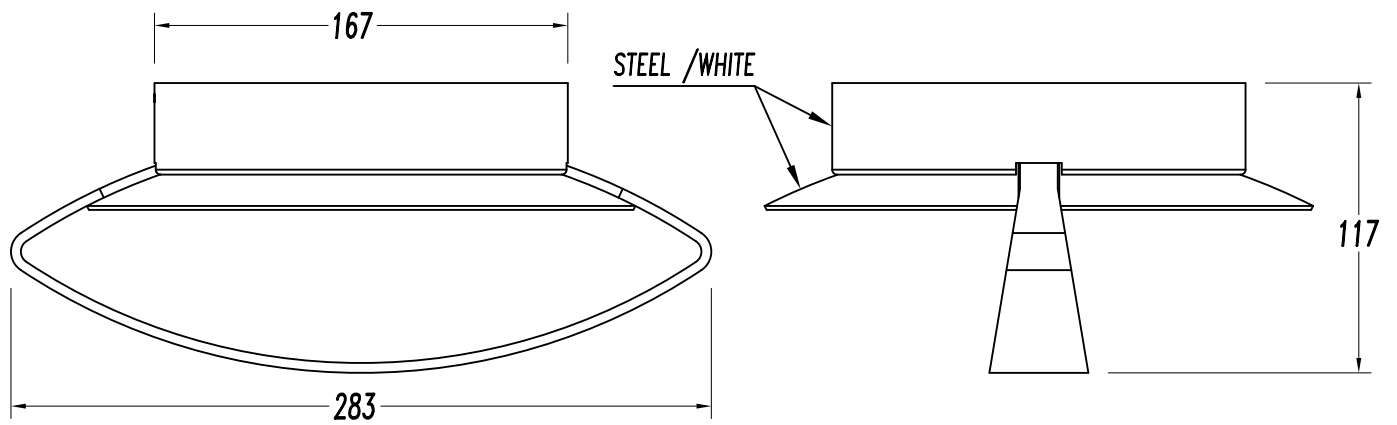
1. Raise LED loads up to 7.5W for LMTC10Wxxx-Z
2. Change the selected dimmer with other types of dimmer from our dimmer compatibility list;
3. Replace the selected LED module with other specs or brands
4. In case all the above methods are not workable, please contact HEP sales for possible solution.

Leading Edge Dimmer list approved by HEP

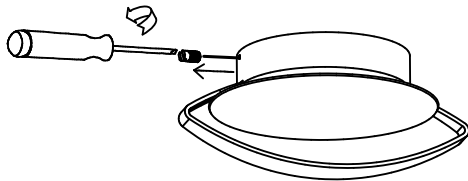
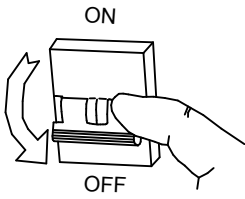
Manufacturer	Model	Q'ty of parallel connection	Min. load (W)
HPM	CAT400L	15	7
JUNG	266 GDE	30	7
MK Electric	DW480	20	7
Schneider	SBD-SPL	15	7
HPM	CAT300E	15	7
Legrand	5734 62	15	7
KIWI Electronics	K010L	15	7
North-West	M1500	15	7
CLIPSAL	32V500	20	7

Trailing Edge Dimmer list approved by HEP

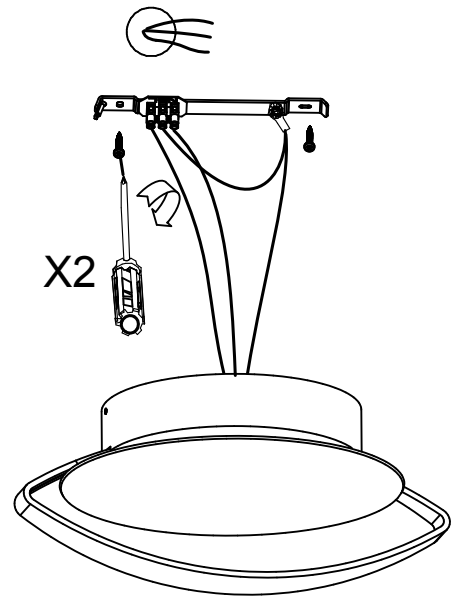
Manufacturer	Model	Q'ty of parallel connection	Min. load (W)
CLIPSAL	32E450UDM	25	7
HPM	CAT400T	25	7
Berker	2874	30	7
Busch	6513U-102	25	7
JUNG	225 TDE	30	7
Merten	SBD315RC (except LMTC10W200)	15	7
CLIPSAL	32E450TM	25	7



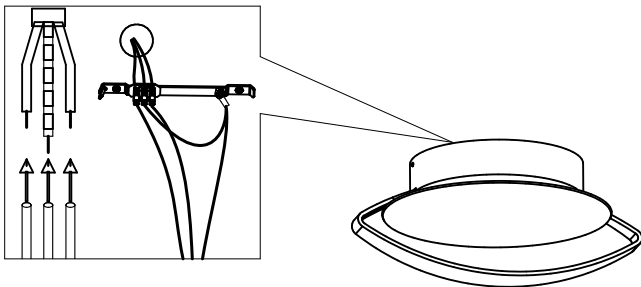
1



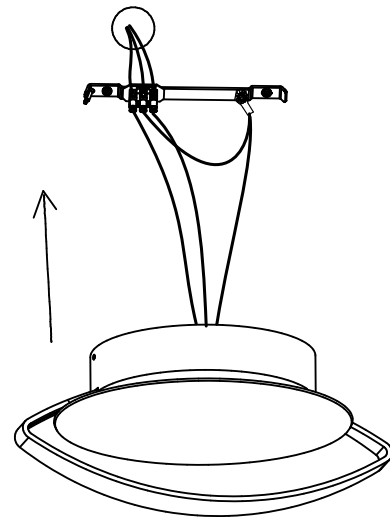
2



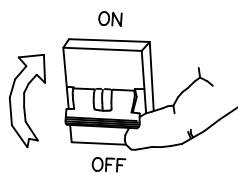
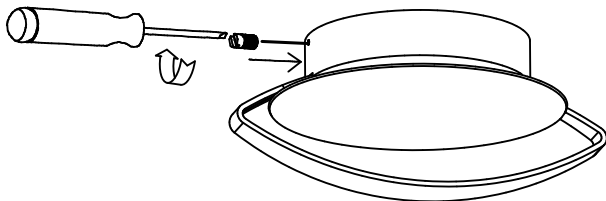
3



4



5



6

